

ITEM NO.	PART NUMBER	DESCRIPTION
1	44000-36152	SCREW,OVAL HD,1/4-20X0.50,SLOTTED,18-8 SS
2	44000-50210	INSERT NUT FOR BREW HANDLE, STAINLESS
3	44000-50190	SPACER FOR GROUP HANDLE
4	20000-56500-21	BREW ACTUATOR, EUROPEAN ASH *CONTACT FACTORY FOR WOOD OPTIONS
5	44000-50260	GROUP COVER MOUNT SCREW
6	20000-16080	GROUP COVER
7	10000-16210	SPACER
8	44000-16220	WASHER, FENDER, 3/8 X 1.25 X 0.05, SS
9	99003-50051	TONGUE ASSY
10	44000-36330	SCREW,RH,-ELW,4-40X.25,SS
11	30000-20042	MAG SWITCH, N/O, PINNED
12	46000-50271	STANDOFF, NYLON, 0.5 L, .50 OD, .257 ID
14	99004-16102	BREW CAP WITH MAGNET ASSY
15	46000-50100	GROUP CAP PAPER GASKET
16	46000-50090	GROUP CAP O RING
17	20000-56010	BAYONET RING
18	46000-50080	DIFFUSER SCREW, STAINLESS
19	46000-50073	NANO COATED SHOWER SCREEN
20	46000-56091	PORTAFILTER GASKET
21	44000-56000	SCREW, SOCKET HEAD CAP, M8 THREAD, 55mm LENGTH, 1.25mm PITCH, STAINLESS
22	44000-36000	INVERTED MAG SWITCH SPACER
23	44000-36140	SCREW/WASHER FOR INVERTED MAGNET
24	30004-20082	RTD, BREW TANK, SINGLE GROUP, PINNED
25	10000-16162	STEM, BREW ACTUATOR, SHORT
26	44000-16080	WASHER, PAPER, GREY
27	46000-50240	DISC SPRING
28	10000-16200	OILITE BUSHING
29	46000-53070	TEFLON GASKET 27MM



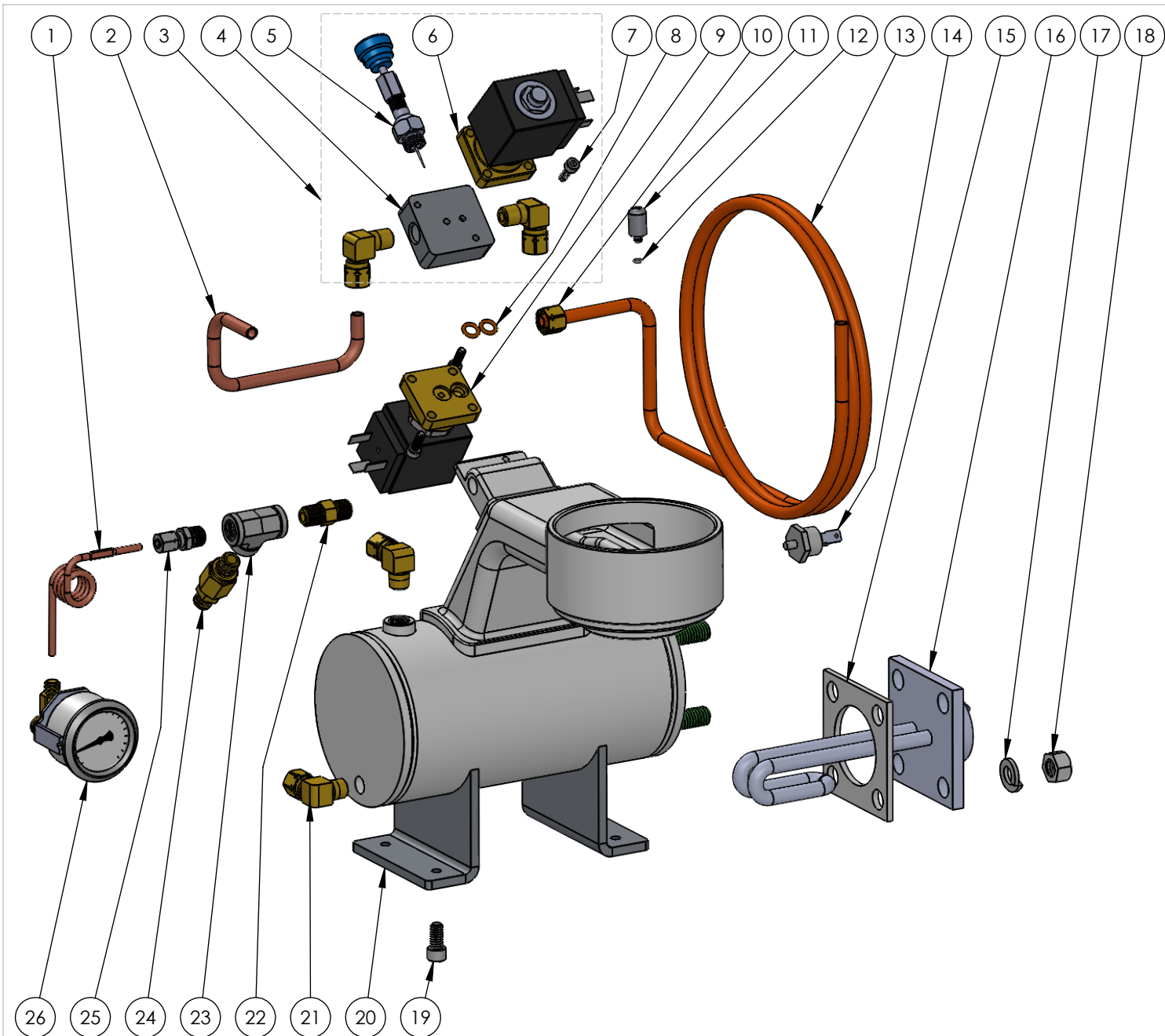
support@slayerespresso.com (206) 284-7171

BREW GROUP HEAD COMPONENTS

PARTS MANUAL - ESPRESSO SINGLE GROUP

DocNo.

Revision No.



ITEM NO.	PART NUMBER	DESCRIPTION
1	40000-32571	BREW GAUGE TUBE, ESPRESSO
2	40004-32560	BREW TANK FILL TUBE, SINGLE GROUP
3	99004-50201-LF	NEEDLE VALVE ASSEMBLY, SINGLE GROUP
	99004-50201-GW	NEEDLE VALVE ASSEMBLY, SINGLE GROUP, CE
4	10004-50200	NEEDLE VALVE BODY, SINGLE GROUP
5	99003-16090	NEEDLE ASSEMBLY
6	30000-20194	2-WAY SOLENOID VALVE, FORGED FLANGE, 24VDC
	30000-20294	2-WAY SOLENOID VALVE, FORGED FLANGE, 24VDC, CE
7	44005-10090	SHCS,M4-0.7X12MM,18-8 SS
8	46000-10040	O-RING,FKM,DASH NO. -010
9	30000-20153	3-WAY SOLENOID VALVE, 2mm, FORGED FLANGE, 24VDC
	30000-20253	3-WAY SOLENOID VALVE, 2mm, FORGED FLANGE, 24VDC, CE
10	42000-34705	NUT FOR 1/4" TUBE OD EASY-ALIGN BRASS COMPRESSION TUBE FITTING
11	10000-16061	GIGGLEUR, 0.7mm, V3
	10005-16061	GIGGLEUR, 0.6mm
12	46000-10010	O RING FOR JET HOLDER, 1 X 3
13	40004-32510	PREHEAT TUBE
14	30000-20500	OVERLIMIT SWITCH, MANRST,120C
15	30000-20140	ELEMENT GASKET
16	30004-20130	BREW ELEMENT 600W 120V
	30000-20130	BREW ELEMENT, 600W, 220V
17	44000-36070	3/8 LOCK WASHER
18	44000-36080	3/8-16 NUT
19	44004-37030	18-8 STAINLESS STEEL SOCKET HEAD CAP SCREW, 1/4"-20 THREAD, 1/2" LENGTH
20	15004-16061	BREW TANK, COMMERCIAL
21	42000-34560-LF	FITTING, 90 DEG ELBOW FOR 1/4" TUBE OD X 1/8" NPTF - M, BRASS
22	42000-34180-LF	1/8 NPT HEX NIPPLE
23	42004-34580	TEE,1/8 NPT,FXFXF,BRASS,PB FREE
24	42000-10170	EXPANSION VALVE,11 BAR, 1/8NPT IN X G1/8 OUT
25	42000-34660-LF	ADAPTER,1/8 COMP X 1/8 MNPT,BRASS
26	99000-50330-LF	BREW GAUGE ASSEMBLY



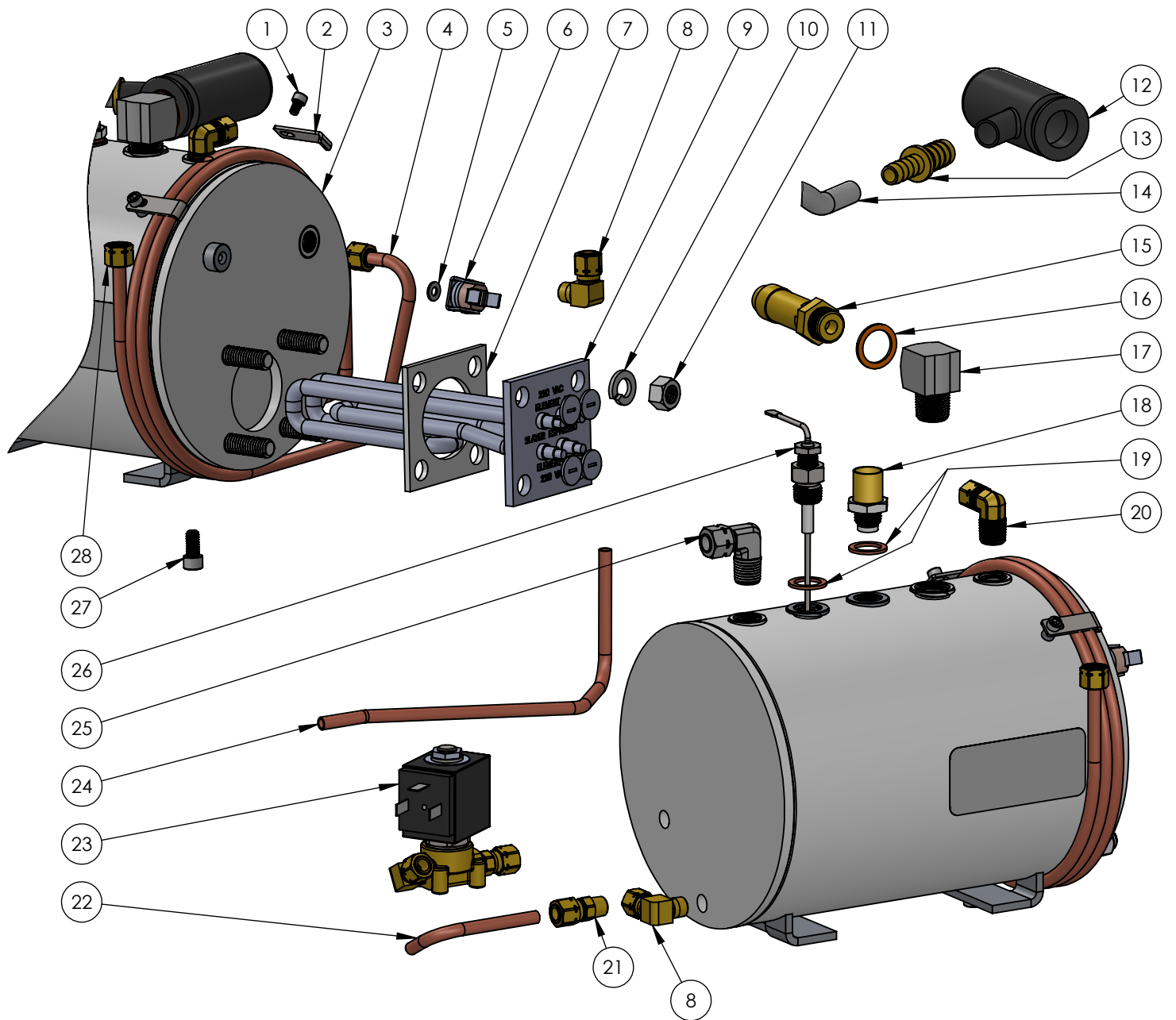
support@slayerespresso.com (206) 284-7171

BREW TANK ASSEMBLY

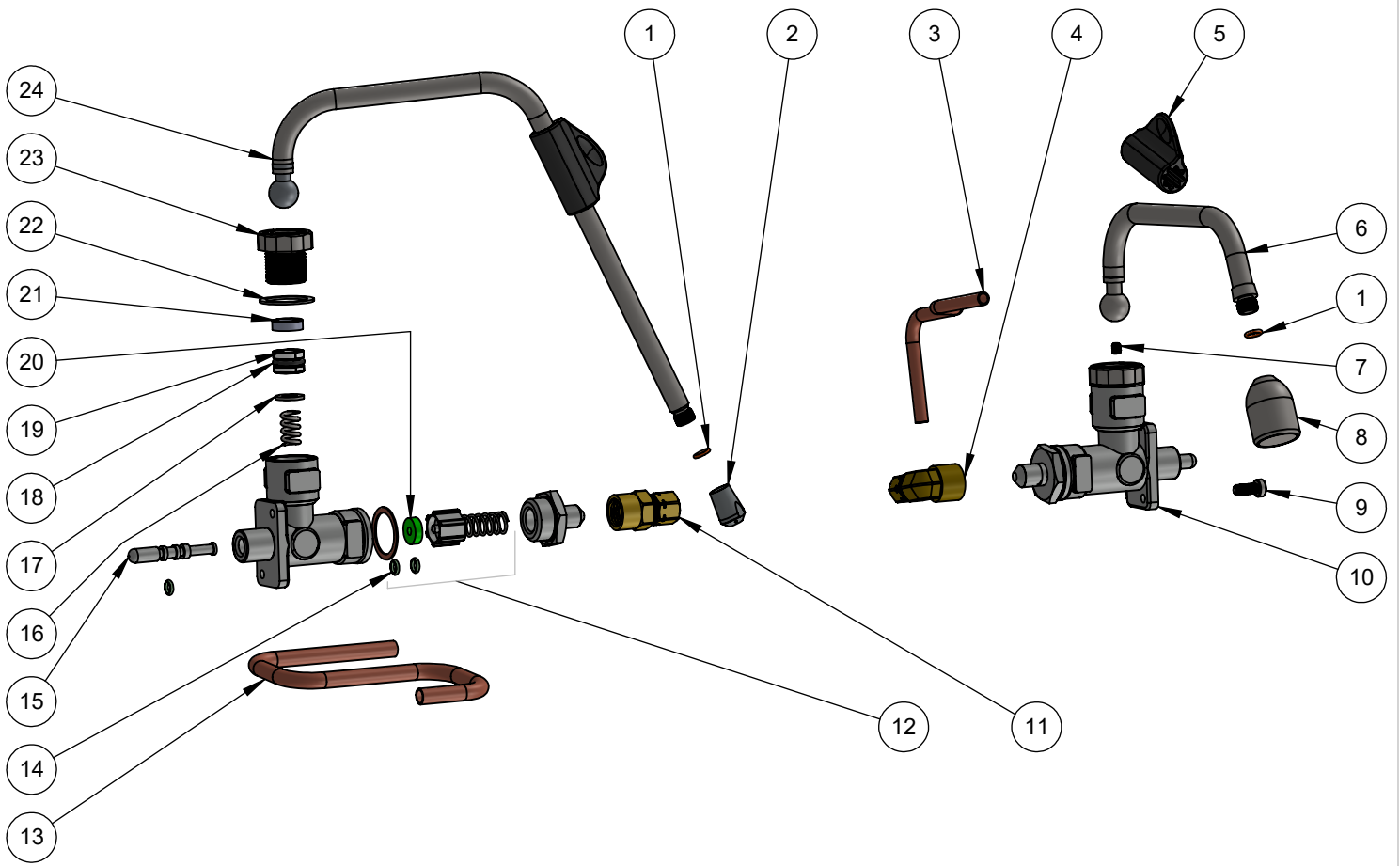
PARTS MANUAL - ESPRESSO SINGLE GROUP

DocNo.

Revision No.



ITEM NO.	PART NUMBER	DESCRIPTION
1	44004-36090	SCREW, SHCS, 8-32 X 1/4 LONG, 18-8 SS
2	13004-10110	PREHEAT TUBE CLAMP
3	15004-10110	STEAM TANK, SINGLE GROUP
4	40004-32030	ROTARY PUMP TO NEEDLE TUBE, SINGLE GROUP
5	44000-10030	WSHR,FLT,#8,ALUMINUM
6	30000-20261	THERMOSTAT, 25A, 145C, STEAM TANK
7	30004-20170	ELEMENT, DUAL, 20000W/400W, 110VAC
	30004-20180	ELEMENT, DUAL, 1400W/600W, 220VAC
8	42000-34560-LF	ELBOW, 1/4 COMP X 1/8 MNPTF, BRASS, PB FREE
9	30004-20180	ELEMENT, DUAL, 1400W/600W, 220VAC
10	44000-36070	3/8 LOCK WASHER
11	44000-36080	3/8-16 NUT
12	24000-10010	PRV COVER, RUBBER
13	42000-34820	REDUCER, STRAIGHT, BARBS, HOSE, 3/8 X 1/2
14	40000-32150	SILICON RUBBER HOSE ID 7/16" X OD 9/16"
15	46000-50400	CB PRV, 1.9 BAR
16	46000-50130	GASKET, COPPER, FLAT, 22X17X1.5mm
17	42004-10000-LF	ELBOW, G3/8 MXF, (RE-TAPPED) BRASS, PB FREE
18	46000-50140	VALVE, ANTI-SUCTION/VACUUM, 1/4"
19	46000-50150	GASKET, COPPER, FLAT, 19X13.5X1.5mm
20	42000-34702-LF	ELBOW, 1/4 COMP X 1/4 MNPTF, BRASS, PB FREE
21	42000-34500-LF	ADAPTER, 1/4 COMP X 1/8 MNPTF, BRASS, PB FREE
22	40004-32070	INLET VALVE TO STEAM TANK TUBE, SINGLE GROUP
23	99004-10140-GW	STEAM FILL ASSEMBLY SINGL GROUP, CE
24	40004-32022	ROTARY PUMP TO INLET VALVE, SINGLE GROUP
25	42000-34680-LF	ELBOW, 5/16 COMP X 1/4 MNPTF, BRASS, PB FREE
26	30000-50170	WATER LEVEL PROBE, STEAM, SINGLE GRP, 103mm
27	44004-37030	18-8 STAINLESS STEEL SOCKET HEAD CAP SCREW, 1/4"-20 THREAD, 1/2" LENGTH
28	42000-34705	NUT FOR 1/4" TUBE OD EASY-ALIGN BRASS COMPRESSION TUBE FITTING



ITEM NO.	PART NUMBER	DESCRIPTION
1	46000-50030	O RING FOR STEAM TIP, 1.5 X 6
2	46000-50340	STEAM TIP, 1.0mm, #0
	46000-50341	STEAM TIP, 1.1mm, #1
	46000-50342	STEAM TIP, 1.2mm, #2
	46000-50343	STEAM TIP, 1.3MM, #3 (STOCK)
	46000-40344	STEAM TIP, 1.4mm, #4
	46000-50345	STEAM TIP, 1.5mm, #5
3	40004-32540	HOT WATER TUBE, SINGLE GROUP
4	42000-34670-LF	90 DEG ELBOW FITTING
5	46000-10060	WAND RUBBER COVER W/ FIN
6	40004-50450	HOT WATER WAND, HOME MACHINE
7	46000-50450	SET SCREW, VENTED CUP POINT, M4 THREAD, 5mm LONG, STAINLESS
8	46000-50350	HOT WATER SPOUT
9	44000-36315	SHCS,LOW PROFILE, M5-0.8X12,18-8 SS
	44000-36320	SHCS,M5-0.8X8MM,18-8 SS
10	46000-53000	STEAM VALVE BODY
11	42000-34540-LF	FITTING, 5/16" TUBE OD X 1/4" NPTF - F, BRASS
12	46900-10010	STEAM VALVE REBUILD KIT (SPRING, PTFE WASHER, PLUNGER W/ GASKET, O-RINGS)
13	40004-32520	STEAM VALVE TUBE, SINGLE GROUP
14	46000-53090	PISTON O-RING
15	46000-53080	Steam Valve Piston
16	46000-53030	ARTICULATION SPRING FOR STEAM VALVE, 13X18MM
17	46000-53040	WASHER, FLAT, M7 SCREW SIZE, 14mm OD, 1.4mm-1.8mm THICK
18	46000-53050	O-RING FOR VALVE BUSHING
19	46005-53061	WAND BUSHING
20	46000-53100	STEAM SEAT GASKET FOR STEAM VALVE SEAL
21	46005-53110	STEAM SEAL
22	46000-53070	TEFLON GASKET 27MM
23	46000-53010	STEAM VALVE NUT
24	40004-50330	STEAM WAND, HOME MACHINE



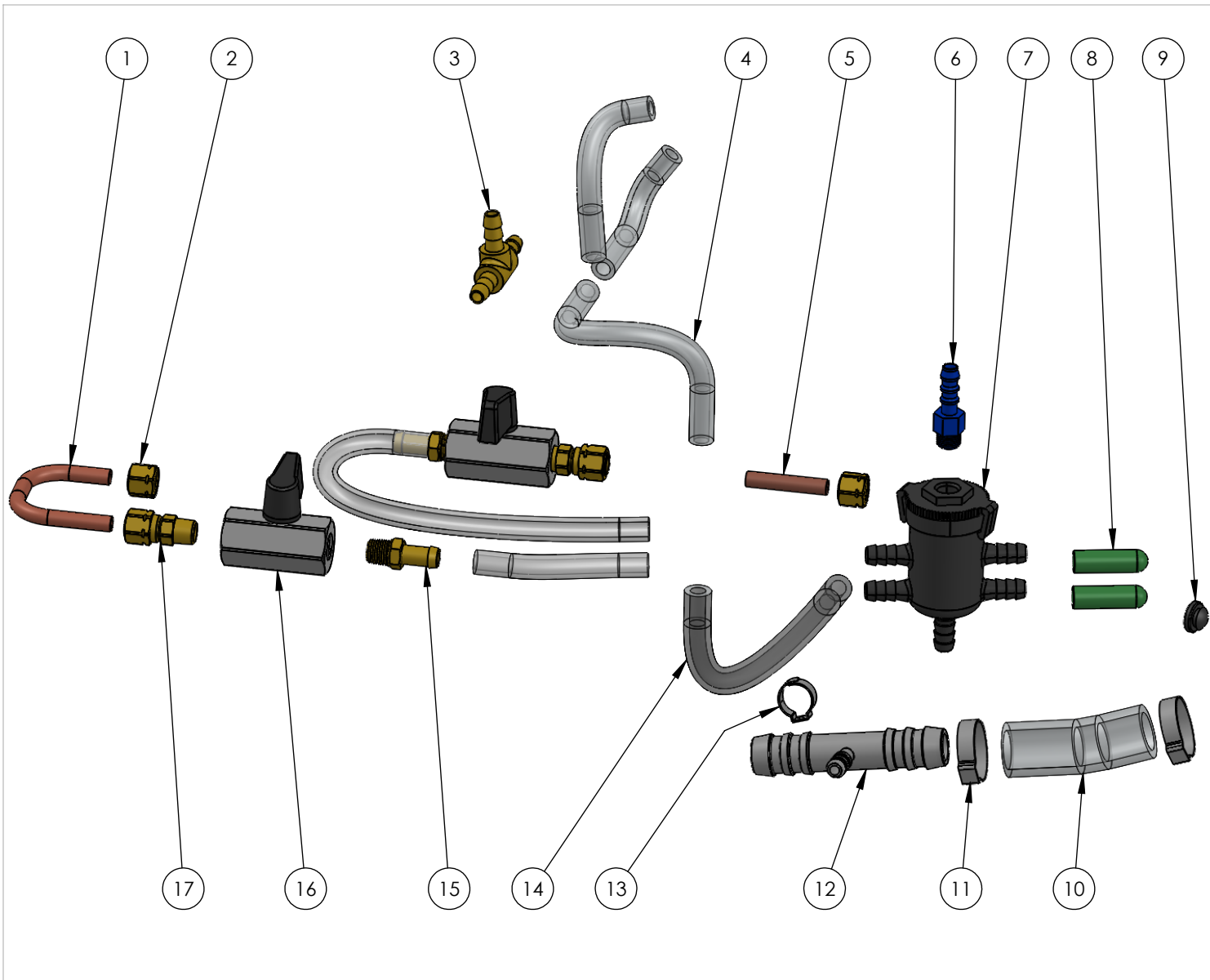
support@slayerespresso.com (206) 284-7171

WAND ASSEMBLIES

PARTS MANUAL - ESPRESSO SINGLE GROUP

DocNo.

Revision No.



ITEM NO.	PART NUMBER	DESCRIPTION
1	40005-32110	FLOW METER TUBE
2	42000-34705	NUT FOR 1/4" TUBE OD EASY-ALIGN BRASS COMPRESSION TUBE FITTING
3	42000-10240	1/4" BARBED TEE, BRASS
4	40000-32160	SILICONE RUBBER HOSE ID 6mm X OD 10mm
5	40005-32060	HOT WATER TO MIX VALVE TUBE
6	42004-25090	1/8 BSPT X 6mm BARB NIPPLE
7	24004-10070	EXPANSION VESSEL ASSY, E1
8	24004-10090	CAP, 1/4 BARB
9	24004-10110	CAP, 9/32 HOLE
10	40000-32120	HIGH-PRESSURE PVC TUBING 5/8 ID
11	42004-25070	SINGLE PINCH CLAMP, 0.9IN, STAINLESS STEEL
12	24004-10085	REDUCING TEE, BARBED, 15mm X 6mm
13	42004-25060	SINGLE PINCH CLAMP, 0.5IN, STAINLESS STEEL
14	42004-25050	PVC TUBING, 1/4" ID, 7/16" OD, 3/32" WALL
15	42005-10030	BRASS HOSE BARB SHORT 1/8NPT 5/16 ID HOSE
16	42000-50290	BALL VALVE, 1/8" NPT
17	42000-34500-LF	FITTING, 1/4" TUBE OD X 1/8" NPTF - F, BRASS

SLAYER

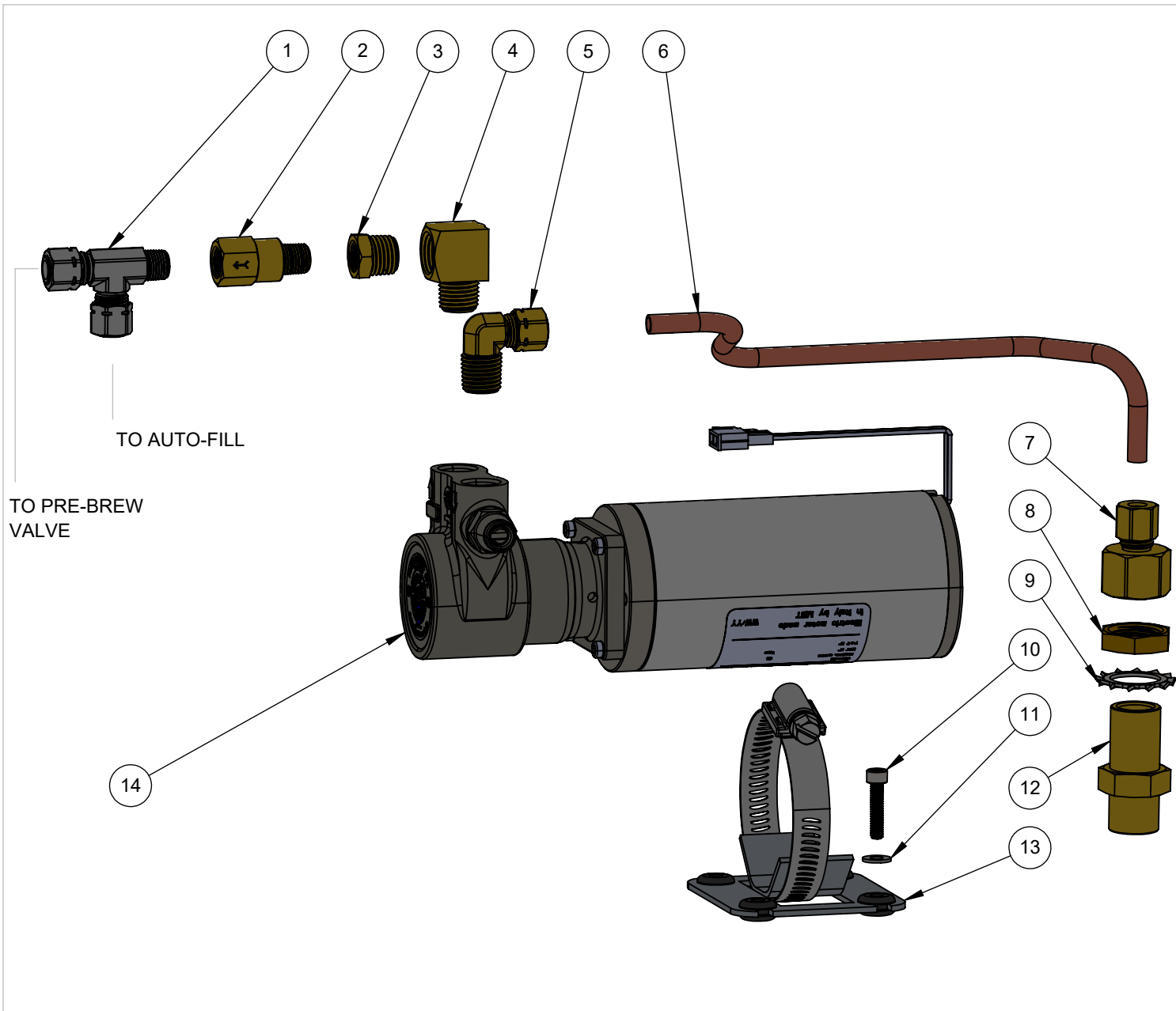
support@slayerespresso.com (206) 284-7171

DRAIN COMPONENTS

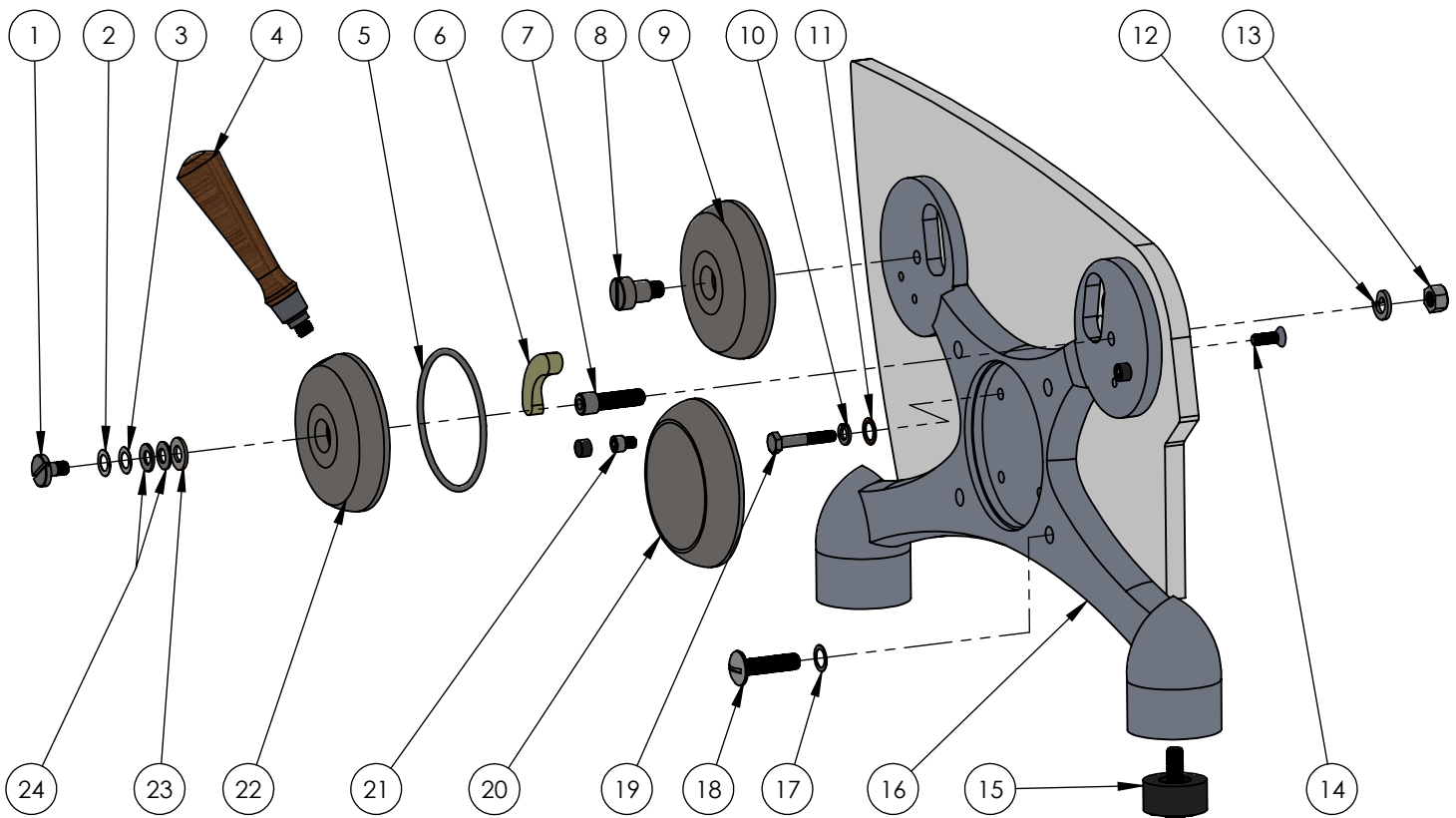
PARTS MANUAL - ESPRESSO SINGLE GROUP

DocNo.

Revision No.



ITEM NO.	PART NUMBER	DESCRIPTION
1	42004-34520-LF	RUN TEE, 1/8 MIP X 1/4 COMP X 1/4 COMP,PB FREE
2	42000-10110-EN	CHECK VALVE, 1/8 MNPTX 1/8 FNPT,BRASS,PLATED
3	42000-34010-LF	REDUCER,1/4MIPX1/8FIP,BRASS,PB FREE
4	42004-34510-LF	STREET ELBOW, 1/4 NPT, MXF,BRASS,PB FREE
5	42000-34702-LF	ELBOW,1/4 COMP X 1/4 MNPTF,BRASS,PB FREE
6	40004-32010	INLET TO PUMP TUBE, SINGLE GROUP LP
7	42000-10071-LF	ADAPTER,1/4 COMP X G 3/8, BRASS,PB FREE
8	44000-10010	BRASS NUT - SCREW/BOTH
9	44000-36360	LOCKWASHER, EXTERNAL TOOTH, FOR M16
10	44000-10040	SHCS,8-32x0.75,18-8 SS
11	44000-10030	WSHR,FLT,#8,ALUMINUM
12	42000-10010-NG	EXTENSION FITTING, G/8, TREATED
13	13004-10190	MOTOR BRACKET D56
14	30004-10170	1G ROTARY PUMP 24VDC



ITEM NO.	PART NUMBER	DESCRIPTION
1	10004-36600	SHOULDER LOCK SCREW, SINGLE GROUP
2	46004-10000	SHIM, 316SS, 0.010 THICK, .375ID
3	46004-10001	SHIM, 316SS, 0.005 THICK, .38ID
4	10000-56751-XX	STEAM HANDLE,SINGLE GROUP-[WOOD TYPE]
5	46004-10002	O-RING, PTFE, SINGLEE GROUP ACTUATOR
6	10004-16130	ACTUATOR RAMP
	10004-16140	ACTUATOR RAMP, THIN
7	10004-36610	ACTUATOR SHOULDER BOLT, SINGLE GROUP
8	10004-36031	SHOULDER BOLT, 1/2, SHORT, SINGLE GROUP
9	10004-16100	ACTUATOR, DUMMY, SINGLE GROUP
10	44000-36110	LOCK WASHER, TANK MOUNT
11	46000-53160	SHOULDER BOLT SHIM, THICK, RED
12	44000-36070	3/8 LOCK WASHER
13	44000-36080	3/8-16 NUT
14	44000-36062	SCREW,FH PHILLIPS,1/4-20,3/4 LENGTH,STAINLESS
15	46000-50180	RUBBER FOOT, SLAYER ESPRESSO 1/2/3 GROUP
16	20004-16140	1 GROUP X CASTING
17	46000-53150	SHIM, SHOULDER BOLT, THIN, GRAY
18	44000-36040	SIDE PANEL MOUNT SCREW
19	44000-36101	BOLT, HEX HEAD, 1/4 -20 X 1-1/2
20	10004-16090	HUB CAP, SINGLE GROUP
21	44000-36260	ACTUATOR, STEAM, STOP BOLT, SHORT
22	99004-16510	SINGLE GROUP ACTUATOR SUBASSEMBLY, LEFT
23	46004-10005	WASHER, FLAT, 18-8 SS, 5/16"
24	46004-10004	WASHER, SPRING LOCK, ACETAL, M8



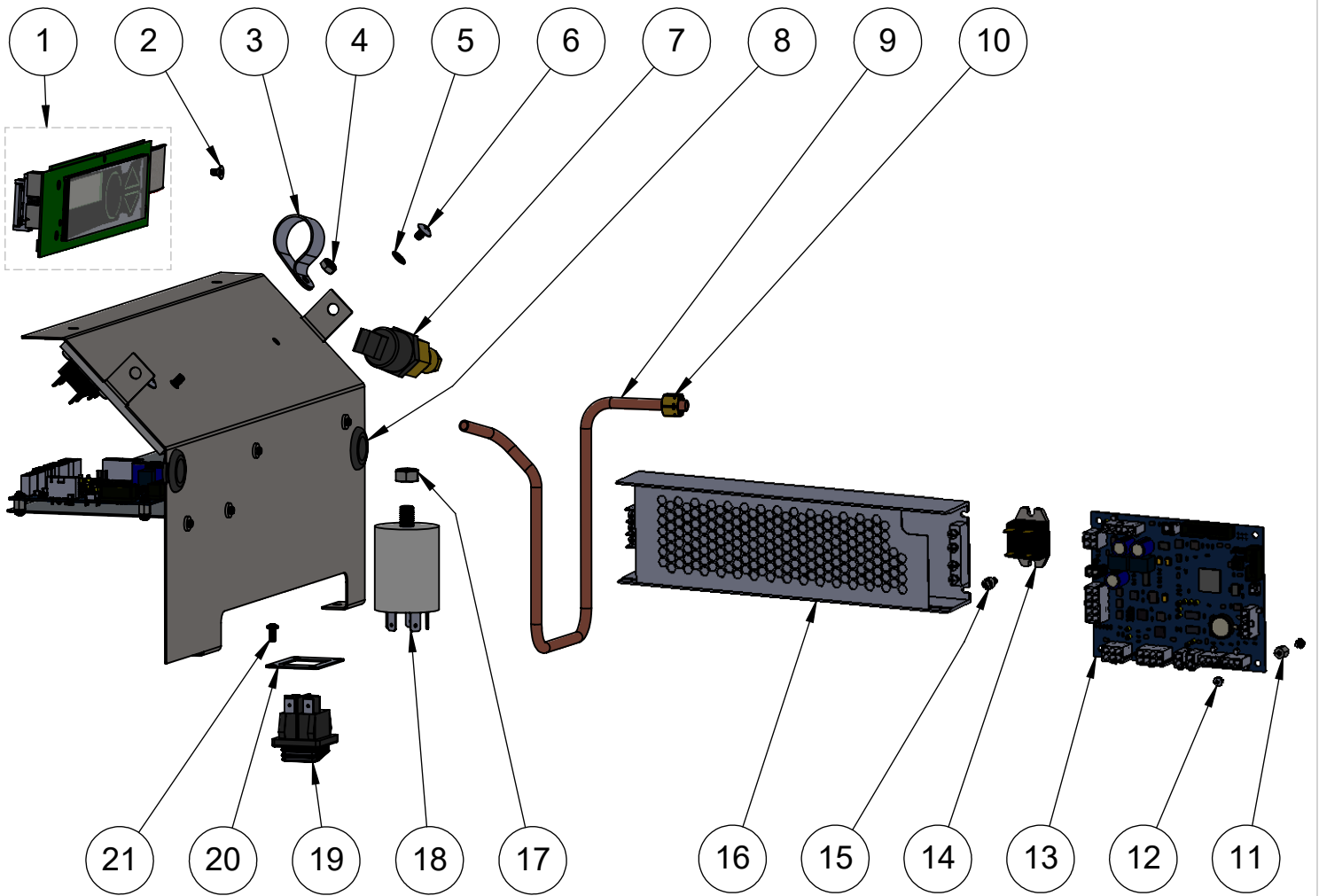
support@slayerespresso.com (206) 284-7171

ACTUATOR AND X COMPONENTS

PARTS MANUAL - ESPRESSO SINGLE GROUP

DocNo.

Revision No.



NOTE: HARNESS AND JUMPERS NOT SHOWN

ITEM NO.	PART NUMBER	DESCRIPTION
1	99004-60120	DISPLAY ASSEMBLY, E1
2	44004-36080	SCREW,FLAT-HEAD SOCKET CAP,6-32X0.25,STAINLESS
3	44000-17000	LOOP CLAMP,NYLON, 1IN ID X 1/2IN W
4	44004-36050	NUT,NYLOCK,8-32
5	44000-36510	WASHER, LOCK, INTERNAL TOOTH, #10
6	44000-36170	SCREW, PHILLIPS, VALVE INSERT
7	99005-17010	PRESSURE TRANSDUCER ASSEMBLY, ELTEK
	99005-17010-NG	
8	44000-36190	GROMMET,SBR, 0.56ID,0.75OD,0.06T
9	40004-32620	TRANSDUCER TUBE, SINGLE GROUP
10	42000-34705	NUT FOR 1/4" TUBE OD EASY-ALIGN BRASS COMPRESSION TUBE FITTING
11	44004-36120	HEX STANDOFF 1/4", 4-40
12	44000-36131	SCREW, PAN HEAD PHILLIPS, EXTERNAL LOCK WASHER, 4-40 THREAD, 3/16" LENGTH, STAINLESS
13	30004-10160	MAIN BOARD, ROTARY PUMP CAPABLE, SINGLE GROUP
14	30004-20011	20A SOLID STATE RELAY, 12V
15	44004-36090	SCREW, SHCS, 8-32 X 1/4 LONG,18-8 SS
16	30000-20004	POWER SUPPLY, 350W, MW, UHP
17	44004-36540	M8X1.25 NYLON HEX NUT
18	30000-10020	FILTER, EMI, 16A,
19	30000-20480	ROCKER SWTICH, MAIN
20	13004-10040	SWITCH PLATE
21	44000-36067	PHMS,6-32X0.31,PHILLIPS,18-8 SS
*	HARNESS AND JUMPER COMPONENTS NOT SHOWN IN IMAGE	
*	30000-20290	RUBBER EDGE TRIM, 1/16" INSIDE WIDTH, 3/8" INSIDE HEIGHT
*	30004-10042	TRANSDUCER CABLE, RAST CONNECTOR, SINGLE
*	30004-10150	RELAY SIGNAL HARNESS
*	30004-10210	HEATER-RELAY HARNESS, SINGLE GROUP LP
*	30004-10220	POWER TAIL, SINGLE GROUP LP
*	30004-10230	SOLENOID HARNESS, 1G, (LP)
*	30004-10240	GROUP CAP HARNESS, 1G
*	30004-10250	HARNESS, POWER TO CONTROLLER, 1G (MW)
*	30004-10260	HARNESS, AUTOFILL, 1G, (MW)
*	30004-10270	POWER CABLE,CE,PREPPED,E1 RESV
*	30004-10280	POWER CABLE, E1, 110V,PREPPED
*	30004-20261	POWER CABLE, ETL,PREPPED,1G
*	30004-10290	STEAM TANK NEUTRAL JUMPER, 1G
*	30004-10300	HARNESS,SW-TO-FILTER,E1 RESV
*	30004-10325	FUSEHOLDER, MOTOR, E1, PPTC IN-LINE
*	30004-10330	JUMPER,EXT WTR,E1 RESV
*	30004-10340	RIBBON CABLE ASSY, 20IP IDC, WIRE-TO-BOARD, 500mm



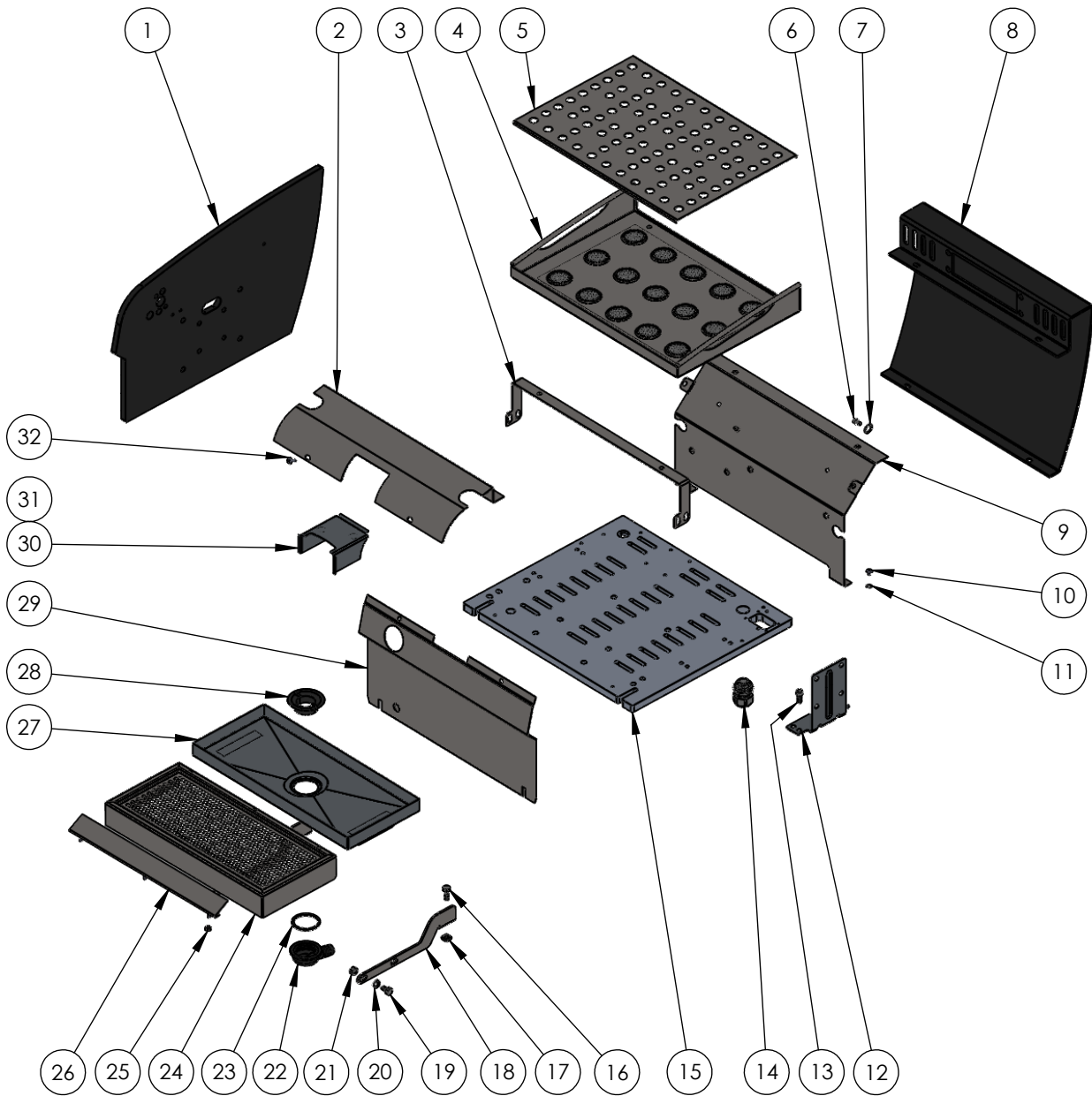
support@slayerespresso.com (206) 284-7171

ELECTRONICS COMPONENTS

PARTS MANUAL - ESPRESSO SINGLE GROUP

DocNo.

Revision No.



ITEM NO.	PART NUMBER	DESCRIPTION
1	10004-16060-XX	SIDE PANEL THIN, E1
2	13004-10080-XX	UPPER FRONT PANEL, SINGLE GROUP
3	13004-10180	FRONT PANEL, MOUNT, SINGLE GROUP
4	13004-10050-XX	CUP TRAY ASSEMBLY, SINGLE GROUP
	99004-10133-00-YY	CUP TRAY, WOODEN, SINGLE GROUP, RAW, [WOOD]
	99004-10133-XX-YY	CUP TRAY, WOODEN, SINGLE GROUP, [FINISH], [WOOD]
5	13004-10060-XX	CUP TRAY COVER, SINGLE GROUP
6	44004-36040	SCREW, SOCKET HEAD CAP, 10-24 X 5/16
7	44004-50550	WASHER, FLAT, NAS 1149, 3/8" SIZE, .63" OD, .02"-.04, STAINLESS
8	13004-10090-XX	BACK PANEL, SINGLE GROUP, FINISH PHANTOM
9	13004-10160	ELECTRONIC SHIELD, ROTARY PUMP, SINGLE GROUP
10	44000-36170	SCREW, PHILLIPS, VALVE INSERT
11	44000-36510	WASHER, LOCK, INTERNAL TOOTH, #10
12	13004-10270	SIDE BRACKET
13	44004-37031	18-8 STAINLESS STEEL SOCKET HEAD CAP SCREW, 1/4"-20 THREAD, 5/8" LENGTH
14	30004-30410	CORD STRAIN RELIEF,SINGLE GROUP
15	10004-12050	BASE PLATE, E1
16	44000-36102	BOLT, HEX HEAD, 1/4-20 X 3/4
17	44000-36151	SQUARE NUT,1/4-20, STAINLESS
18	13004-10260	DRIP TRAY BRACKET, 1G, BENT
19	44000-36050	SCREW, TRAY/BRACKET MOUNT
20	44000-36110	LOCK WASHER, TANK MOUNT
21	44000-36150	HEX NUT, 1/4"-20 THREAD SIZE, 7/16" WIDTH, 3/16" HEIGHT, STAINLESS
22	24004-10060	M36 TO Ø5/8" BARB DRAIN ELBOW
23	46000-50500	GASKET, DRAIN, 36 MM ID
24	13004-10015-XX	DRIP TRAY COVER, SINGLE GROUP, SINGLE PIECE
25	44000-36370	NUT FOR MIRROR, 8-32
26	13004-10020	MIRROR, SINGLE GROUP
27	13004-10005	DRIP TRAY LINER, E1
28	24004-10100	Ø28 TO M36 DRAIN UPPER
29	13004-10070-XX	FRONT PANEL, SINGLE GROUP, FINISH PHANTOM
30	13003-16040-XX	GROUP NECK COVER, SLAYER ESPRESSO & STEAM, 2/3 GROUP
31	30000-20285	ADHESIVE-BACK BUMPERS
32	44000-36160	SCREW, BODY PANELS



ITEM NO.	PART NUMBER	DESCRIPTION
1	46000-56070	DOUBLE RIDGELESS BASKET
	46000-56060	SINGLE PORTAFILTER BASKET
	46000-56063	TRIPLE PORTAFILTER BASKET, RIDGELESS
2	46000-56100	PORTAFILTER, BLIND
3	46000-56120	SPOUTED PORTAFILTER BODY ONLY
4	46000-56130	DOUBLE SPOUT
5	46000-56131	SINGLE SPOUT
6	24015-10011	PORTAFILTER HANDLE, OVERMOLDED RUBBER, LOGO
7	CALL FOR # AND PRICE	WOOD PORTAFILTER HANDLE
8	46000-56041	PORTAFILTER BODY, NAKED, METAL ONLY
9	46000-56160	PORTAFILTER LOCKING SPRING, 1.20 mm, STAINLESS