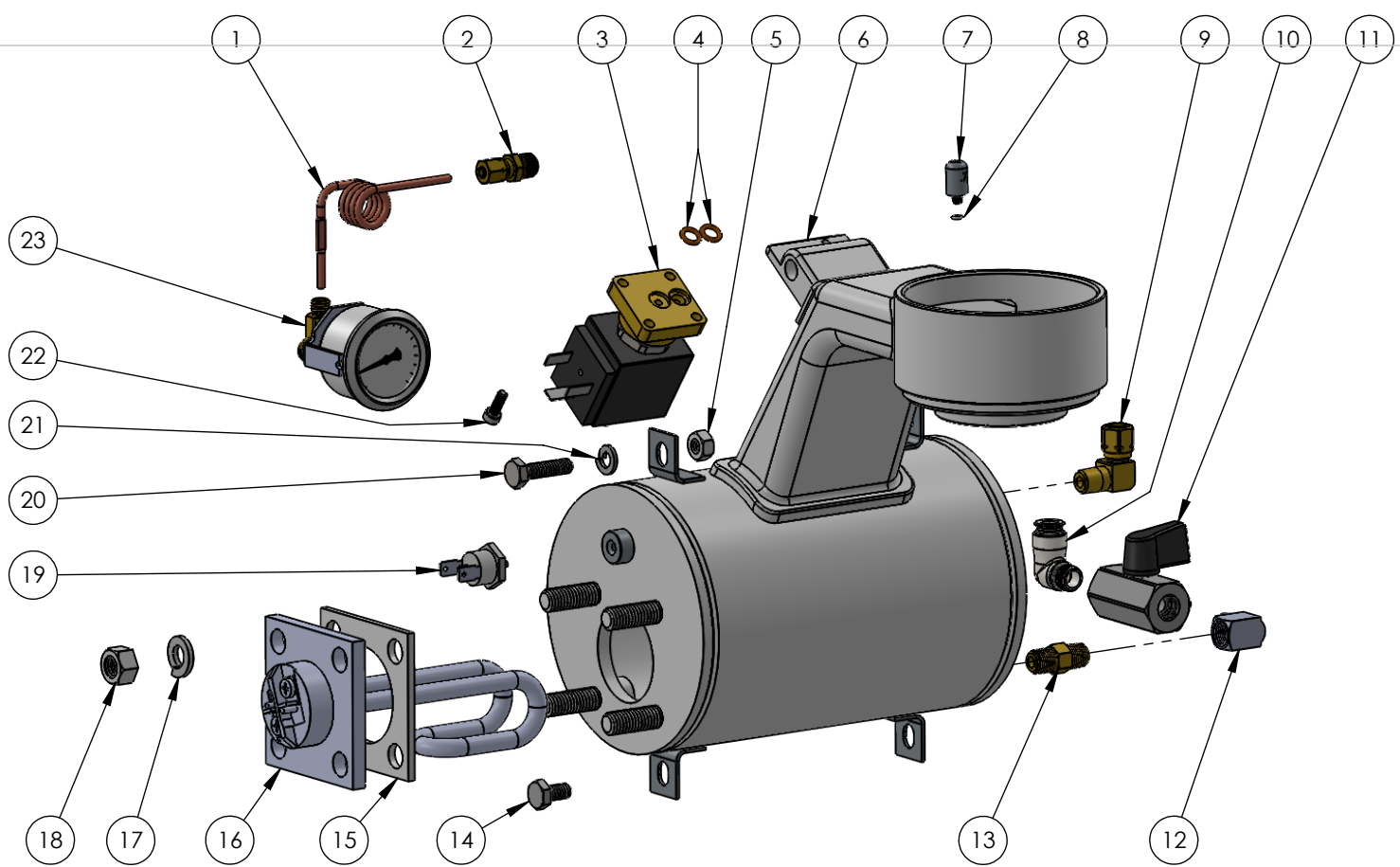
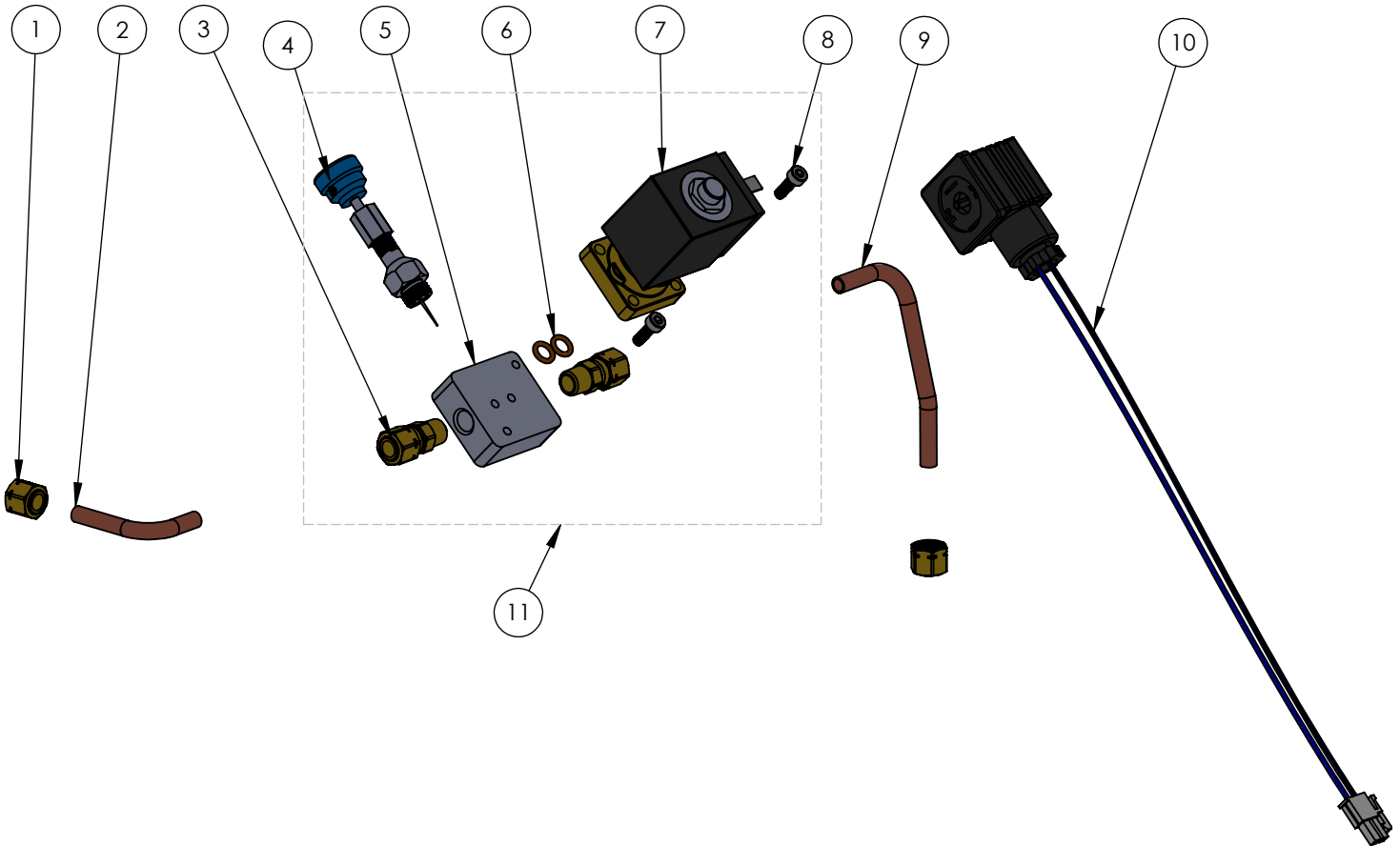


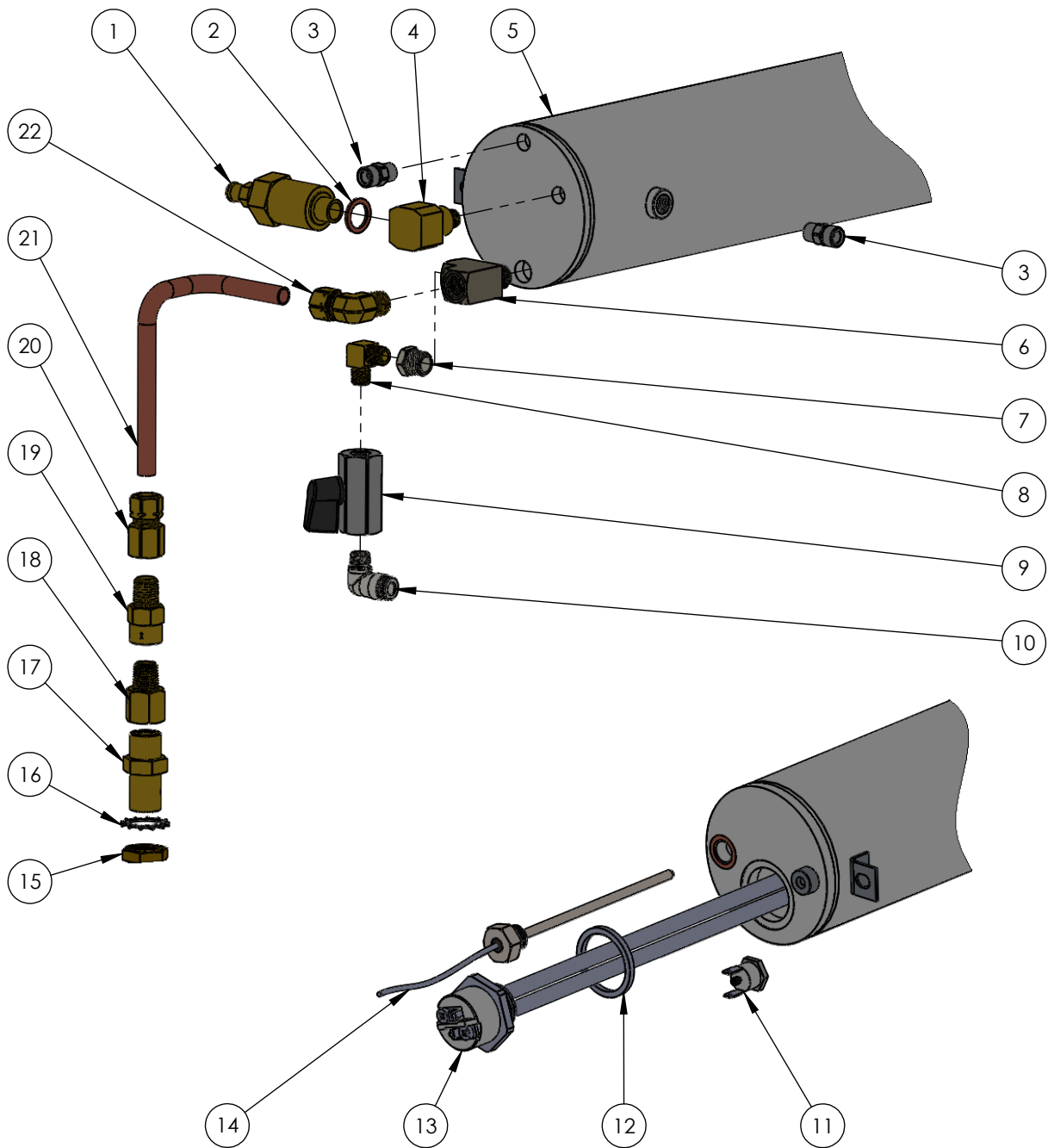
ITEM NO.	PART NUMBER	DESCRIPTION
1	44000-50220	SCREW, HANDLE LOCK
2	44000-50210	INSERT NUT FOR BREW HANDLE, STAINLESS
3	44000-50190	SPACER FOR GROUP HANDLE
4	20000-56500-21	BREW ACTUATOR, EUROPEAN ASH *CONTACT FACTORY FOR WOOD OPTIONS
5	44000-50260	GROUP COVER MOUNT SCREW
6	20000-16080	GROUP COVER
7	10000-16210	SPACER
8	44000-16220	WASHER, FENDER, Ø3/8" X Ø1.25" X 0.05", SS
9	99003-50051	TONGUE ASSY
10	44000-36140	SCREW / WASHER FOR INVERTED MAGNET
11	30000-20032	MAG SWITCH, N/C, PINNED
12	46000-50272	STANDOFF, NYLON, 0.5" L, Ø0.5" OD, Ø.257" ID
13	44000-36000	INVERTED MAG SWITCH SPACER
14	99004-16102	BREW CAP WITH MAGNET ASSY
15	46000-50100	GROUP CAP PAPER GASKET
16	46000-50090	GROUP CAP O RING
17	20000-56010	BAYONET RING
18	46000-50080	DIFFUSER SCREW, STAINLESS
19	46000-50073	NANO COATED SHOWER SCREEN
20	46000-56091	PORTAFILTER GASKET
21	30000-32010	MOLEX MINI-FIT JR RECEPTACLE HOUSING, 2X1 (M)
22	44000-56000	SCREW, SOCKET HEAD CAP, M8-1.25 X 55MM
23	30000-20042	MAG SWITCH, N/O, PINNED
24	30000-20082	RTD, BREW TANK, V3, PINNED
25	10000-16162	STEM, BREW ACTUATOR, SHORT
26	44000-16080	WASHER, PAPER, GREY
27	46000-50240	DISC SPRING
28	10000-16200	OILITE BUSHING
29	46000-53070	TEFLON GASKET 27MM



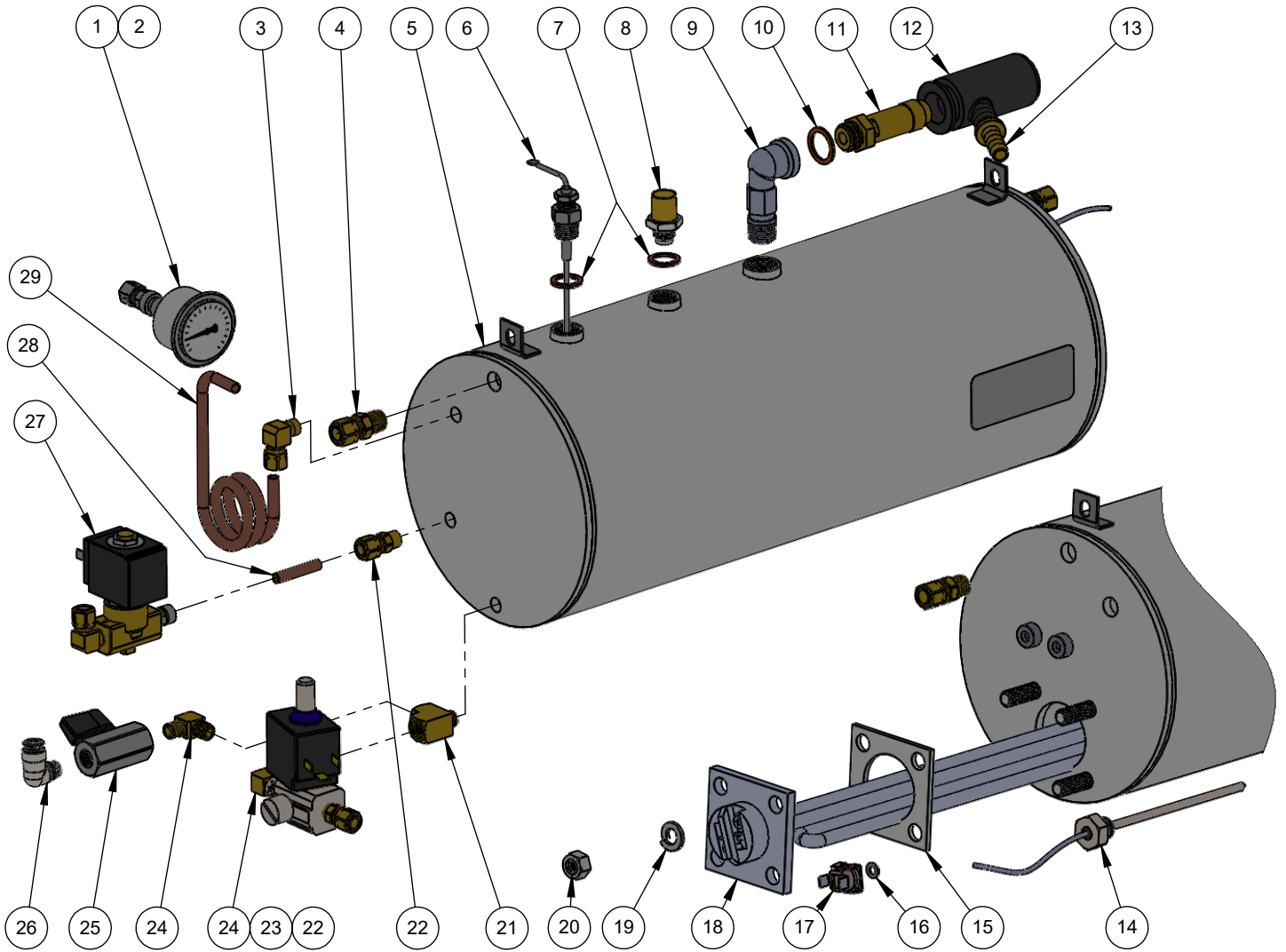
ITEM NO.	PART NUMBER	DESCRIPTION
1	40000-32580	BREW GAUGE TUBE, ESPRESSO
2	42000-34660-LF	1/8 NPT X 1/8 COMP
3	30000-20153	3 WAY SOLENOID VALVE, 24VDC COIL
4	46000-10040	O-RING, FKM, DASH NO. -010
5	44000-36150	HEX NUT, 1/4"-20
6	15000-16061	BREW TANK, COMMERCIAL
7	10000-16061	GIGGLEUR, 0.7mm, V3
	10005-16061	GIGGLEUR, 0.6mm
8	46000-10010	O RING FOR JET HOLDER, 1 X 3
9	42000-34560-LF	FITTING, ELBOW, 1/4" COMP X 1/8" NPTF - M
10	42000-34140	SWIVEL DRAIN FITTING
11	42000-50290	BALL VALVE, 1/8" NPT
12	42000-34110-LF	FITTING, ELBOW, 1/8" NPT, F X M
13	42000-34180-LF	1/8 NPT HEX NIPPLE
14	44000-36050	BOLT, TANK MOUNT, 1/4-20 X 1/2"
15	30000-20140	ELEMENT GASKET
16	30000-20130	600 WATT BREW TANK ELEMENT
17	44000-36070	3/8 LOCK WASHER
18	44000-36080	3/8-16 NUT
19	30000-20500	OVERLIMIT SWITCH, MANRST,120C
20	44000-36100	BOLT, TANK MOUNT
21	44000-36110	LOCK WASHER, TANK MOUNT
22	44005-10090	SOLENOID MOUNT SCREW
23	99000-50330-LF	BREW GAUGE ASSEMBLY
-	30000-20443	HARNESS, BREW TANK CONNECTION (NOT SHOWN)
-	30000-19011	HEAT-SHRINK PVC PLASTIC TUBING, 1.50" ID BEFORE SHRINKING (NOT SHOWN)



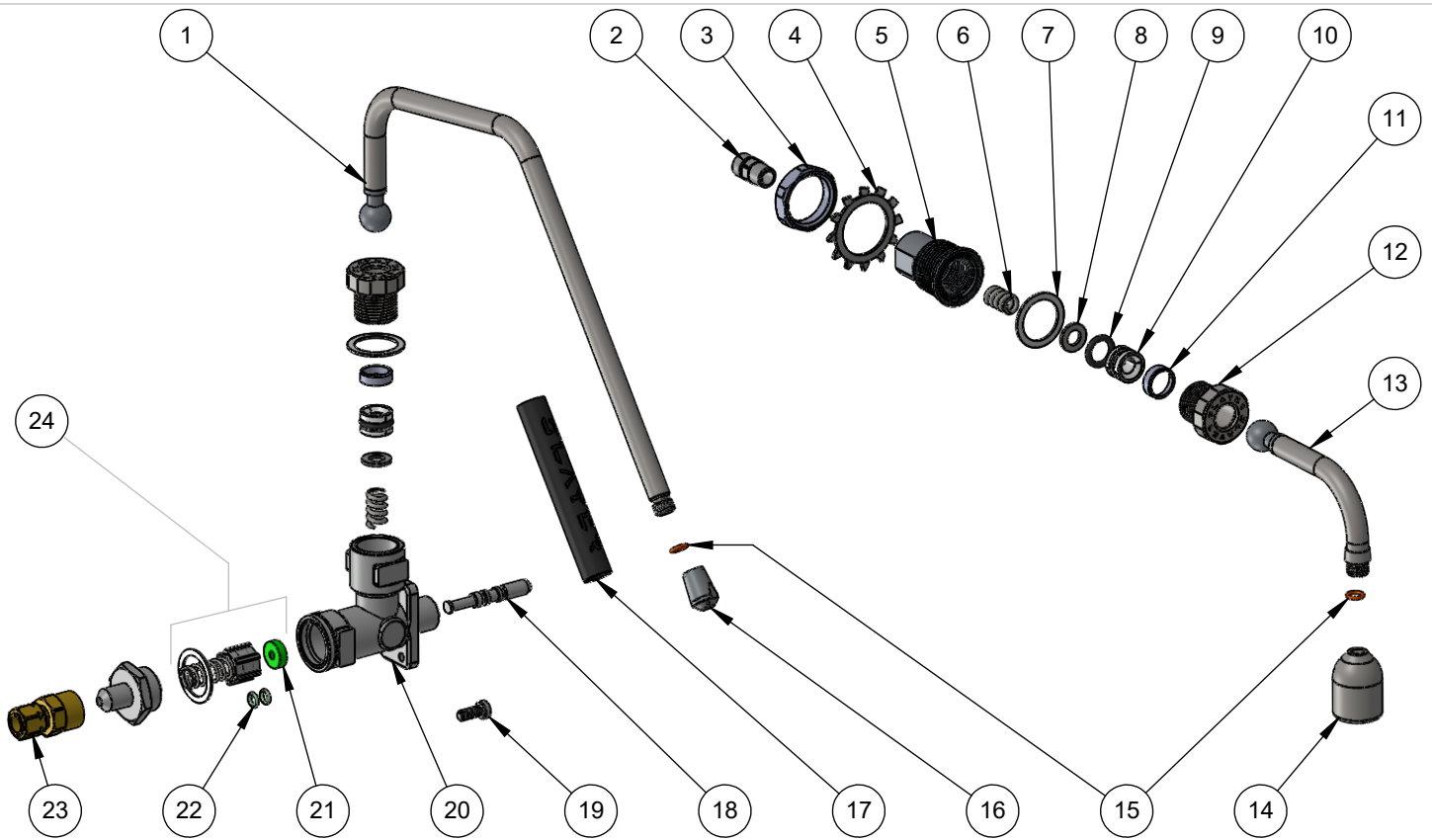
ITEM NO.	PART NUMBER	DESCRIPTION
1	42000-34705	NUT FOR 1/4" TUBE OD EASY-ALIGN BRASS COMPRESSION TUBE FITTING
2	40003-32620	BREW TUBE #1
3	42000-34500-LF	ADAPTER, 1/4 COMP X 1/8 MNPTF, BRASS, PB FREE
4	99003-16090	NEEDLE ASSEMBLY
5	10999-50201	NEEDLE/SOLENOID BODY
6	46000-10040	O-RING,FKM,DASH NO. -010
7	30000-20194	2-WAY SOLENOID VALVE, FORGED FLANGE, 24VDC
8	44005-10090	SHCS,M4-0.7X12MM,18-8 SS
9	40003-32670	NEEDLE TO BREW TANK TUBE
10	30000-16030	NEEDLE VALVE HARNESS
11	99003-50200-LF	NEEDLE VALVE ASSEMBLY, V3



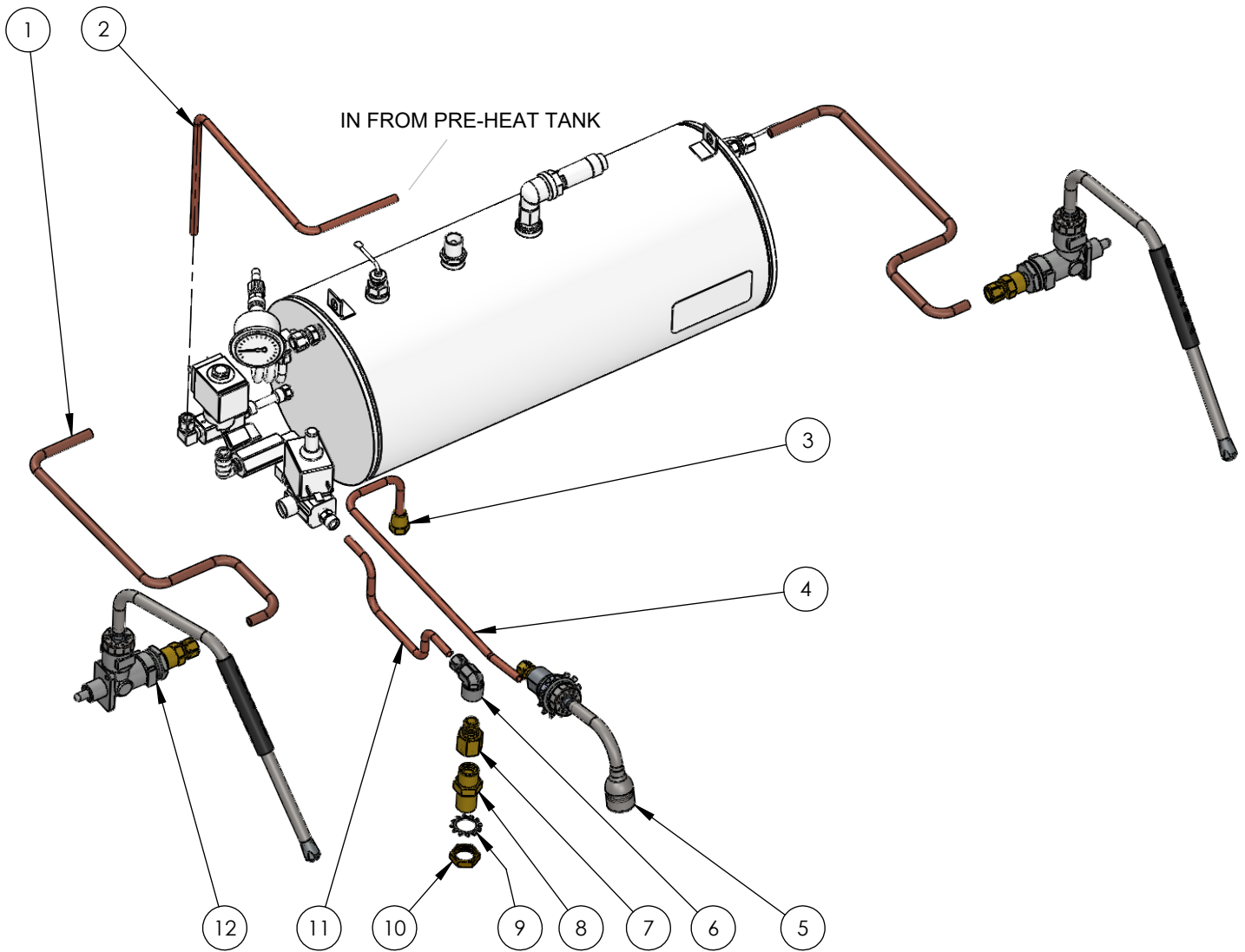
ITEM NO.	PART NUMBER	DESCRIPTION
1	46000-50110-NG	EXPANSION VALVE
2	46000-50150	GASKET , COPPER, FLAT, 19X13.5X1.5mm
3	42000-34500-LF	FITTING, 1/4" COMP X 1/8" NPTF - M
4	42000-34800-NG	FITTING, ELBOW, 1/4" BSPP, FOR EXPANSION VALVE
5	15003-10120	PRE-HEAT BOILER, 2-GROUP
	15003-13120	PRE-HEAT BOILER, 3-GROUP
6	42000-34050-LF	FITTING, TEE, 1/4" NPT, F X F X M
7	42000-34010-LF	FITTING, REDUCER, 1/4" - M X 1/8" - F, PIPE THREAD
8	42000-34080-LF	FITTING, ELBOW, 1/8" NPT - M
9	42000-50290	BALL VALVE, 1/8" NPT
10	42000-34140	SWIVEL DRAIN FITTING
11	30000-20500	OVERLIMIT SWITCH, MANRST,120C
12	46000-53190	GASKET, PREHEAT ELEMENT
13	30003-20110	PREHEAT ELEMENT,1KW,220V,THREAD-IN
14	99003-20066	THERMISTOR W/ MOLEX, V3, PRE-HEAT TANK
15	44000-10010	BRASS NUT
16	44000-36360	LOCKWASHER, EXTERNAL TOOTH, FOR M16
17	42000-10010-NG	EXTENSION 3/8"-19 BSPP FITTING
18	42000-34630-LF	FITTING, ADAPTOR, 3/8" - F X 1/4" - M, PIPE THREAD
19	42000-34620-EN	CHECK VALVE, 1/4" NPT - F X 1/4" NPT - M
20	42000-34590-LF	FITTING, ADAPTER, 3/8" COMP X 1/4" FNPT - F
21	40003-32500	PREHEAT FILL TUBE
22	42000-34170-LF	FITTING, ELBOW, 3/8" COMP X 1/4" NPT - M



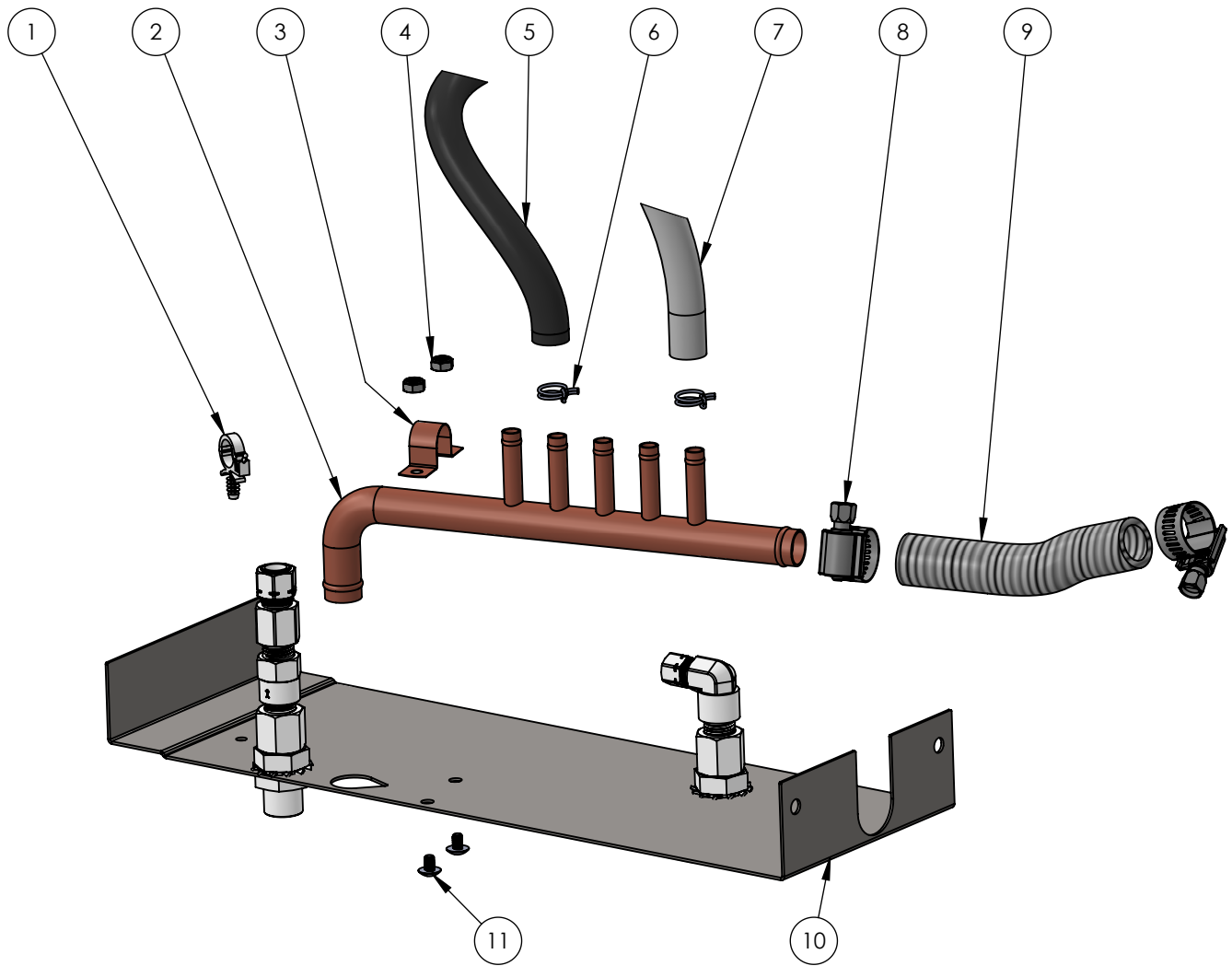
ITEM NO.	PART NUMBER	DESCRIPTION
1	46000-50310	STEAM GAUGE, 2 BAR, CUSTOM PRINTED SLAYER LOGO
2	42000-34550-LF	ADAPTER, 1/4 COMP X 1/8 FNPTF, BRASS, PB FREE
3	42000-34560-LF	FITTING, ELBOW, 1/4" COMP X 1/8" NPTF - M
4	42000-34510-LF	FITTING, 5/16" COMP X 1/4" NPTF - M
5	15000-10110	STEAM TANK, 2 GROUP
	15000-13110	STEAM TANK, 3 GROUP
6	30004-50170	WATER LEVEL PROBE SLAYER ESPRESSO, 115mm
7	46000-50150	GASKET, COPPER, FLAT, 19X13.5X1.5mm
8	46000-50140	VALVE, ANTI-SUCTION/VACUUM, 1/4"
9	42000-10200	G3/8-F X R3/8 STREET ELBOW
10	46000-50130	GASKET, COPPER, FLAT, 22 X 17 X 1.5mm
11	46000-50400	CB PRV, 1.9 BAR
12	24000-10010	PRV COVER, RUBBER
13	42000-34820	REDUCER, STRAIGHT, HOSE BARB, 3/8" X 1/2"
14	99003-20065	THERMISTOR W/ MOLEX, V3, STEAM TANK
15	30000-20140	ELEMENT GASKET
16	44000-10030	WASHER, FLAT, #8, ALUMINUM
17	30000-20261	THERMOSTAT, 25A, 145C, STEAM TANK
18	30000-20090	STEAM ELEMENT, 220V, 3500W, 2 GROUP
	30000-20100	STEAM ELEMENT, 220V, 4500W, 3 GROUP
19	44000-36070	3/8 LOCK WASHER
20	44000-36080	3/8-16 NUT
21	42000-34580-LF	TEE, 1/8 NPT, FFXM, BRASS, PB FREE
22	42000-34500-LF	ADAPTER, 1/4 COMP X 1/8 MNPTF, BRASS, PB FREE
23	30000-20351	HOT WATER MIX SOLENOID
24	42000-34080-LF	ELBOW, 1/8 MNPT, BRASS, PB FREE
25	42000-50290	BALL VALVE, 1/8" NPT
26	42000-34140	SWIVEL DRAIN FITTING
27	99003-20190	STEAM FILL ASSEMBLY
28	40005-32060	HOT WATER TO MIX VALVE TUBE
29	40000-32550	STEAM GAUGE TUBE



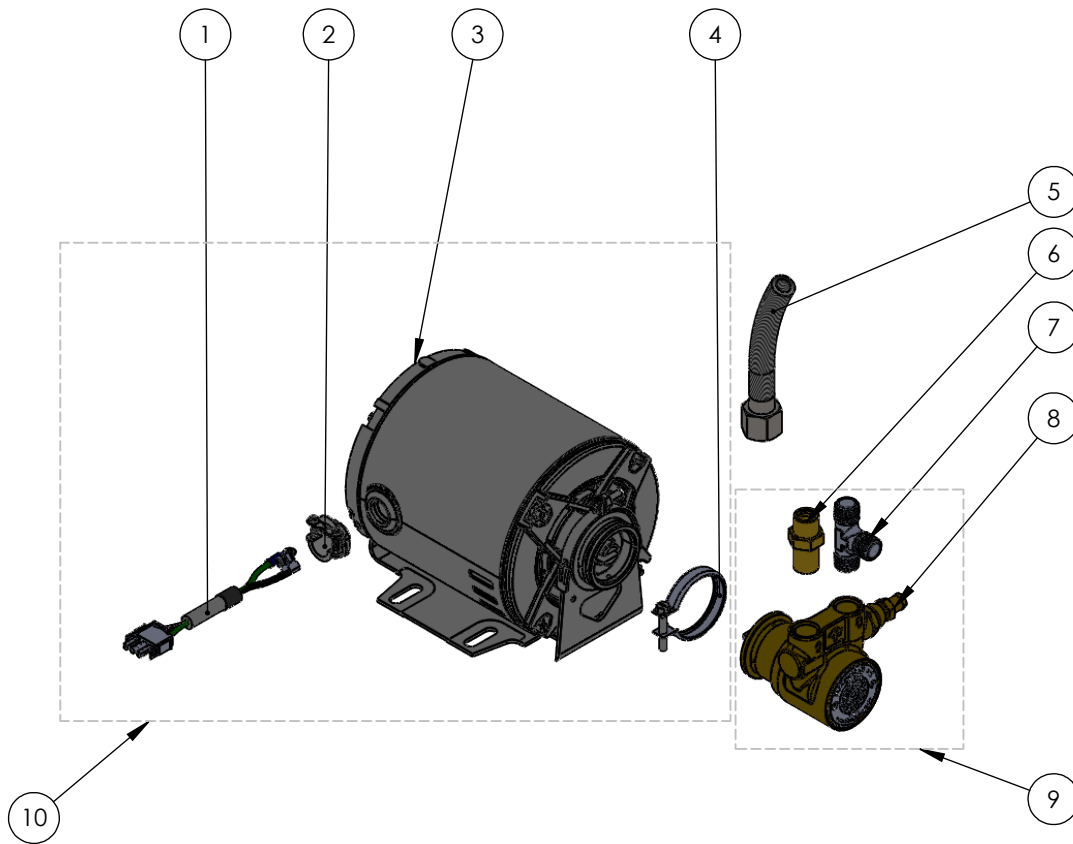
ITEM NO.	PART NUMBER	DESCRIPTION
1	40000-50330	STEAM WAND
2	42000-34500-LF	FITTING, 1/4" COMP X 1/8" NPTF - M
3	44000-50421	STAINLESS STEEL NUT
4	44000-50400	LOCK WASHER, ELW, 1IN SCREW, ZINC PLATED
5	10003-53200	HOT WATER FITTING, ESPRESSO
6	46000-53030	ARTICULATION SPRING FOR STEAM VALVE, 13 X 18MM
7	46000-53070	TEFLON GASKET 27MM
8	46000-53040	WASHER, FLAT, M7 SCREW SIZE, 14MM OD
9	46000-53050	O-RING FOR VALVE BUSHING
10	46005-53061	WAND BUSHING
11	46005-53110	STEAM SEAL
12	46000-53010	STEAM VALVE NUT
13	40003-50450	HOT WATER WAND
14	46000-50350	HOT WATER SPOUT
15	46000-50030	O RING FOR STEAM TIP
16	46000-50343	STEAM TIP, 1.3MM, #3
	46000-50340	STEAM TIP #0
	46000-50341	STEAM TIP #1
	46000-50342	STEAM TIP #2
	46000-50344	STEAM TIP #4
	46000-50345	STEAM TIP #5
17	46005-53170	GRIP, STEAM WAND, COOL TOUCH
18	46000-53080	STEAM VALVE PISTON
19	44000-36315	SHCS, LOW PROFILE, M5-0.8X12, 18-8 SS
20	46000-53000	STEAM VALVE BODY
21	46000-53100	STEAM SEAT GASKET
22	46000-53090	PISTON O-RING
23	42000-34540-LF	FITTING, 5/16" COMP X 1/4" NPTF - F
24	46900-10010	STEAM VALVE REBUILD KIT (SPRING, PTFE WASHER, PLUNGER W/ GASKET, O-RINGS)



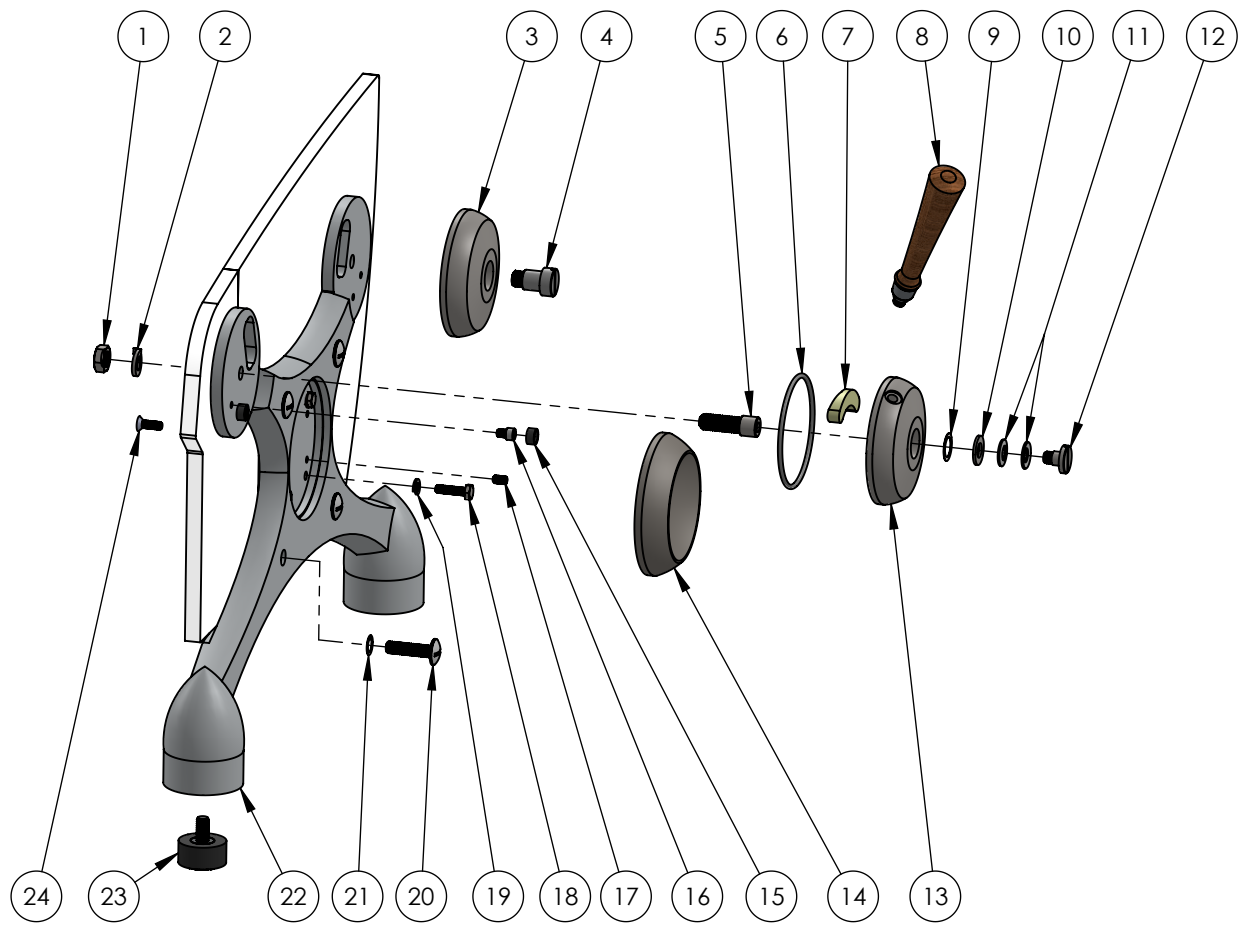
ITEM NO.	PART NUMBER	DESCRIPTION
1	40000-32520	STEAM VALVE TUBE, COPPER
2	40003-32510	STEAM TANK FILL TUBE, LONG
3	44000-36220	FITTING, 45 DEGREE, FLARED, SHORT NUT FOR 1/4" TUBE OD, BRASS
4	40003-32640	MIXED WATER OUT LINE
5	99003-20350-LF	HOT WATER WAND ASSY, V3
6	42000-34670-LF	ELBOW, 1/4 COMP X 1/4 FNPTF, BRASS, PB FREE
7	42000-34630-LF	REDUCER, 3/8 FIP X 1/4 MIP, BRASS, PB FREE
8	42000-10010-NG	EXTENSION FITTING, G/8, TREATED
9	44000-36360	LOCKWASHER, EXTERNAL TOOTH, FOR M16
10	44000-10010	BRASS NUT - SCREW/BOTH
11	40003-32650	1/4" COLD WATER LINE
12	99033-16240-LF	STEAM WAND ASSEMBLY, V3



ITEM NO.	PART NUMBER	DESCRIPTION
1	30000-50030	CABLE HOLDER, HOLE-MOUNTED, 0.38 DIA
2	40000-32095	DRAIN TUBE ASSY, ESPRESSO, COPPER
3	40000-32610	CLAMP, COPPER, 1/2IN
4	44004-36050	NUT, NYLOCK, 8-32
5	40000-32180	EPDM RUBBER TUBING 5/16" ID, 7/16" OD
6	44000-36280	SPRING CLIP, 3-WAY SOLENOID VALVE, 11.6-12.2mm, MEDIUM
7	40000-32150	HIGH-TEMPERATURE SILICONE RUBBER TUBING, SOFT, 5/16" ID, 7/16" OD, 1/16" WALL, WHITE
8	40000-32060	WORM-DRIVE HOSE CLAMP, NONSLIP SCREW 1/2" TO 1-1/16" CLAMP DIAMETER RANGE, 9/16" BAND WIDTH
9	40000-32120	HIGH-PRESSURE PVC TUBING, FOOD, 5/8" ID, 7/8" OD, 1/8" WALL THICKNESS
10	13000-16180	DRAIN PANEL
11	44000-36170	SCREW, PHILLIPS, VALVE INSERT



ITEM NO.	PART NUMBER	DESCRIPTION
1	30000-20471	HARNESS, MOTOR, 2/3 GROUP,UL
	30000-30446	HARNESS, MOTOR, 2/3 GROUP, CE
2	30000-30090	CORD STRAIN RELIEF, ROMEX CONNECTOR, 1/2"
3	30000-58020	PUMP MOTOR
4	44000-58010	V BAND CLAMP
5	40005-10010	STAINLESS STEEL HOSE, 3/8" FC X CFC 2000mm
	40000-10030	HOT WATER HOSE, SHORT, BRAIDED, STAINLESS
6	42000-10010-NG	EXTENSION 3/8-19 BSPP FITTING
7	42000-10030-NG	TEE FITTING, 3/8 M/M/M
8	30000-58030	PUMP, 45 GPH
10	99003-58040-NG	PUMP ASSEMBLY, 45 GPH
12	99000-58020	MOTOR ASSEMBLY, 220V, CE
	99000-58021	MOTOR ASSEMBLY, 220V, UL



ITEM NO.	PART NUMBER	DESCRIPTION
1	46003-10006	NUT, HEX, 1/2-13, SS
2	46003-10007	LOCK WASHER, 1/2" SCREW SIZE
3	10000-16100	ACTUATOR, DUMMY, 2/3 GROUP
4	10003-36031	SHOULDER BOLT, 2/3 GROUP
5	10003-36610	ACTUATOR SHOULDER BOLT, ESPRESSO
6	46003-10003	O-RING, PTFE, DASH NUMBER 237
7	10000-16130	ACTUATOR RAMP
8	10000-56750-XX	STEAM HANDLE, ESPRESSO, [-WOOD TYPE]
9	46000-53186	SHIM, SHOULDER BOLT, 0.010" THICK, Ø5/8" ID
10	46003-10002	WASHER, FLAT, 18-8 SS, Ø7/16"
11	46003-10001	WASHER, SPRING, M10, ACETAL
12	10003-36600	LOCK SCREW, SHOULDER BOLT
13	99003-16320	ESPRESSO ACTUATOR SUBASSEMBLY, RIGHT
	99003-16310	ESPRESSO ACTUATOR SUBASSEMBLY, LEFT
14	10000-16090	HUB CAP, 2/3 GROUP
15	40000-32180	EPDM RUBBER TUBING, Ø5/16" ID X Ø7/16" OD
16	44000-36260	ACTUATOR, STEAM, STOP BOLT, SHORT
17	44000-36300	SET SCREW, 1/4-20 X 7/16"
18	44000-36100	BOLT, TANK MOUNT
19	44000-36110	LOCK WASHER, TANK MOUNT
20	44000-36040	SIDE PANEL MOUNT SCREW
21	46000-53150	SHIM, SHOULDER BOLT, THIN, GRAY
22	20999-1614X-XX	X CASTING
23	46000-50180	RUBBER FOOT, SLAYER ESPRESSO 1/2/3 GROUP
24	44000-36062	SCREW, HUB MOUNT, ESPRESSO



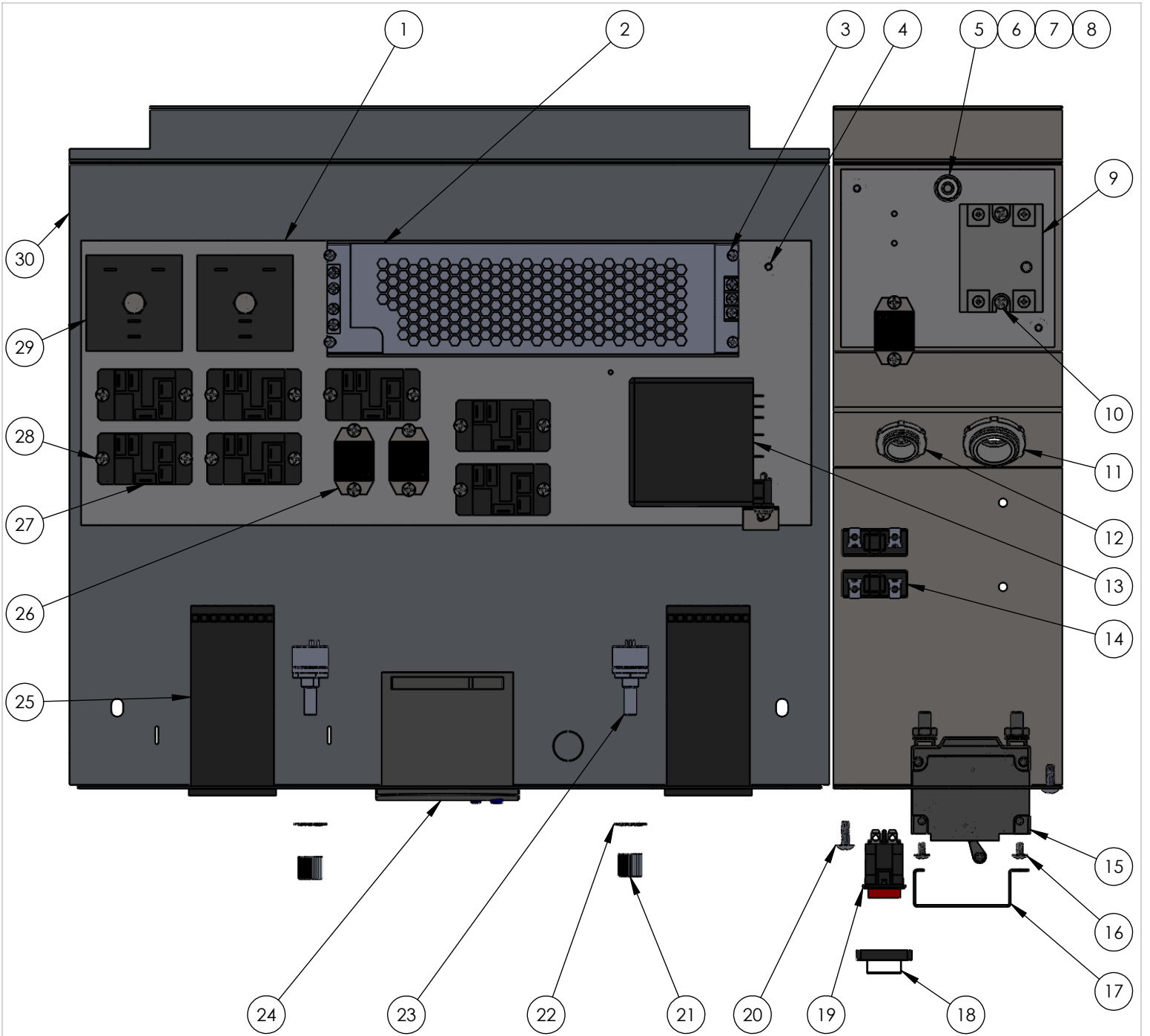
support@slayerespresso.com (206) 284-7171

PARTS MANUAL - ESPRESSO V3

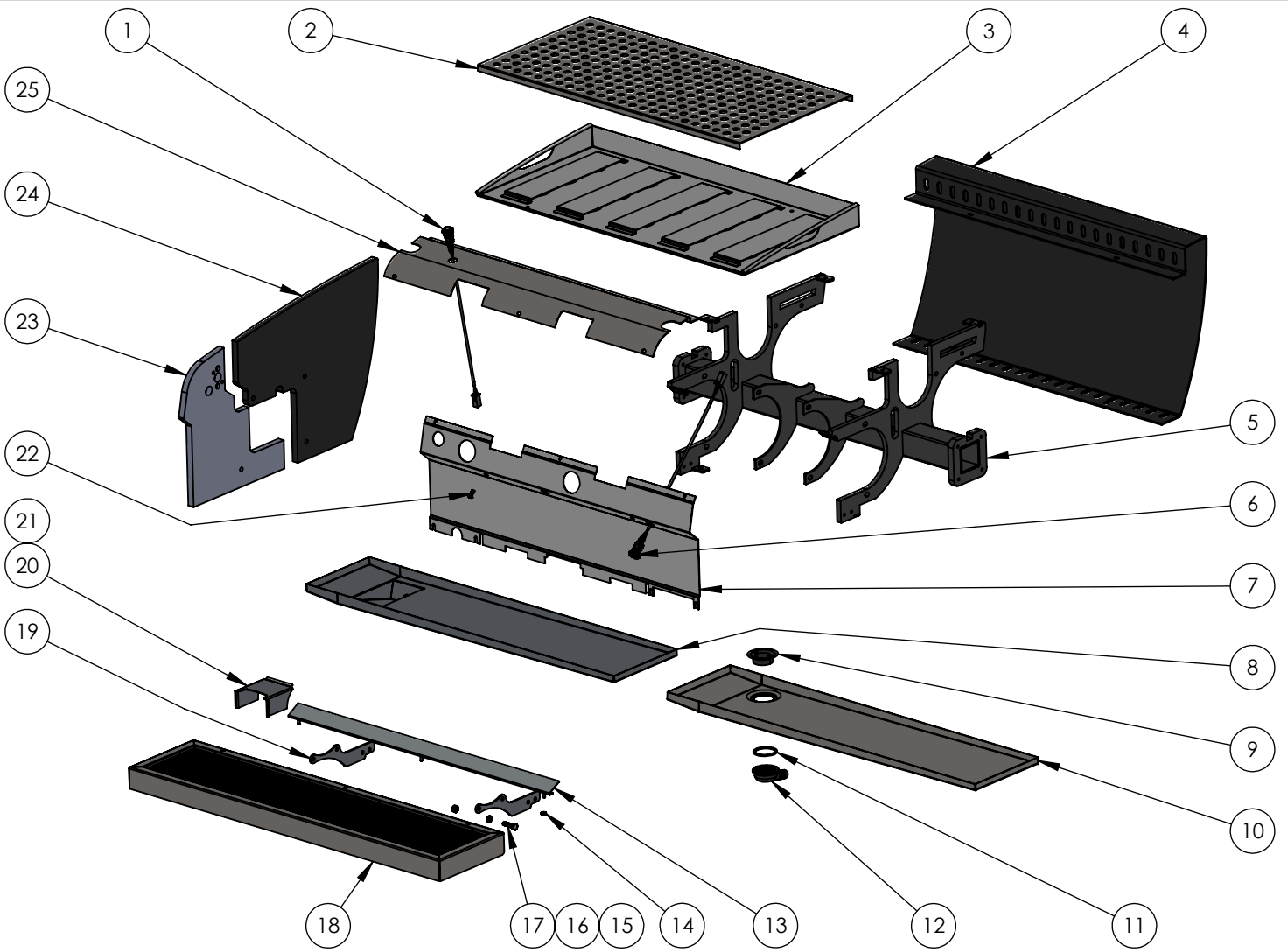
ACTUATORS AND X COMPONENTS - ESPRESSO V3

DOC NO.

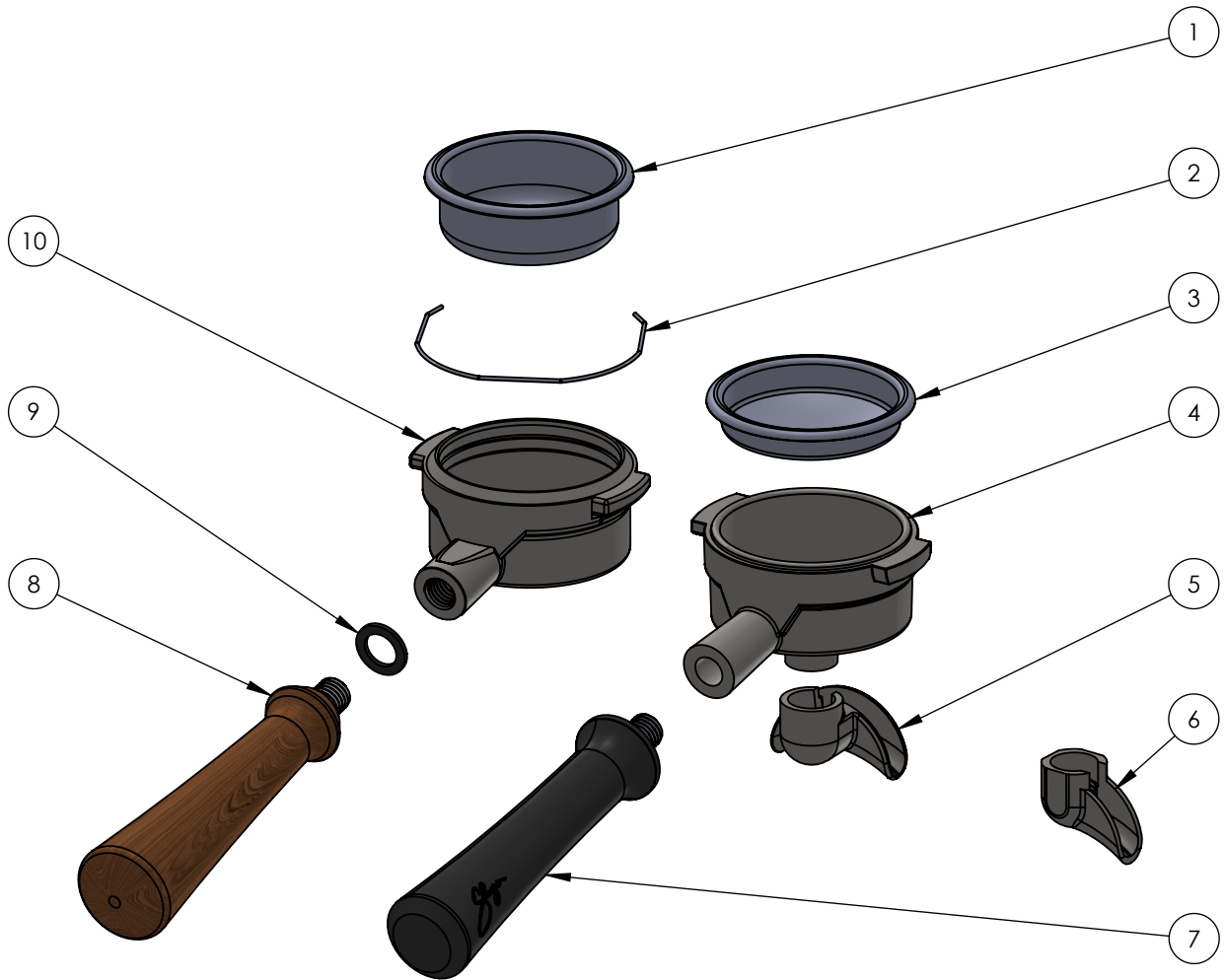
REVISION NO.



ITEM NO.	PART NUMBER	DESCRIPTION
1	13000-10250	SUB-PLATE, SLAYER ESPRESSO, 2 GRP
	13000-13035	SUB-PLATE, SLAYER ESPRESSO, 3 GRP
2	30000-20004	POWER SUPPLY, 350W, MW, UHP
3	44000-36131	SCREW, PAN HEAD PHILLIPS, EXTERNAL LOCK WASHER, 4-40 THREAD, 3/16" LENGTH, STAINLESS
4	44000-36170	SCREW, PHILLIPS, VALVE INSERT
5	46000-53040	WASHER, FLAT, M7 SCREW SIZE, 14mm OD, 1.4mm-1.8mm THICK
6	44000-36150	HEX NUT, 1/4"-20 THREAD SIZE, 7/16" WIDTH, 3/16" HEIGHT, STAINLESS
7	44000-36100	BOLT, TANK MOUNT
8	44000-36380	WASHER, 1/4 NEX TOOTH L/W FOR GROUND
9	30000-20050	RELAY,SOLID STATE,40A (3 GROUP SINGLE PHASE MACHINES ONLY)
10	44000-36067	PHMS,6-32X0.31,PHILLIPS,18-8 SS
11	30000-30100	CORD STRAIN RELIEF, ROMEX CONNECTOR, 3/4"
12	30000-30090	CORD STRAIN RELIEF, ROMEX CONNECTOR, 1/2"
13	30000-20180	AUTO FILL BOX
14	30000-20255	CIRCUIT BREAKER, PUSH TYPE, 10 AMP
15	30000-20240	BREAKER,40A,2POLES (3 GROUP SINGLE PHASE MACHINES ONLY)
	30000-20230	BREAKER,30A,2POLES (2 GROUP AND 3-PHASE MACHINES)
16	44000-36090	SCREW, BREAKER MOUNT
17	13000-16050	COVER, BREAKER SWITCH
18	30000-20271	SEALING BOOT, SILICONE, TRANSPARENT, 2600 SERIES SWITCH
19	30000-20270	POWER SWITCH
20	44000-36160	SCREW, BODY PANELS
21	30000-20320	KNOB, POTENTIOMETER
22	44000-10070	ILW,TOOTH,0.38 ID. STEEL, ZINC-PLATED
23	30003-10000	POTENTIOMETER, V3, WIRED ASSEMBLY
24	30000-20220	LOVE CONTROLLER, PREHEAT AND STEAM
25	30000-20210	FUJI PID CONTROLLER
26	30000-20011	MINI 20 AMP SSR
27	30000-20360	24V DC MINI RELAY
28	44000-36230	PHMS,6-32X0.19,PHILLIPS,18-8 SS
29	30000-20301	SOLID STATE TIMER, 24VDC
30	13000-10040	ELECTRONICS TRAY, SLAYER ESPRESSO, 2 GRP
	13000-13040	ELECTRONICS TRAY, SLAYER ESPRESSO, 3 GRP
31	13000-10240	ELECTRONICS COVER, SLAYER ESPRESSO, 2 GRP (NOT PICTURED)
	13000-13240	ELECTRONICS COVER, SLAYER ESPRESSO, 3 GRP (NOT PICTURED)
32	13000-16200	COVER, POWER BOX (NOT PICTURED)
*	30000-20290	RUBBER EDGE TRIM, 1/16" INSIDE WIDTH, 3/8" INSIDE HEIGHT



ITEM NO.	PART NUMBER	DESCRIPTION
1	99000-20160	HOT WATER SWITCH ASSEMBLY, V3
2	13000-10060-XX	CUP TRAY COVER, 2 GROUP
	13000-13060-XX	CUP TRAY COVER, 3 GROUP
3	13000-10050-XX	CUP TRAY LOWER, 2 GROUP, STANDARD [FINISH]
	99000-10133-00-YY	CUP TRAY LOWER, 2 GROUP, RAIL RAW, [WOOD]
	99000-10133-XX-YY	CUP TRAY LOWER, 2 GROUP, RAIL [FINISH], [WOOD]
	13000-13050-XX	CUP TRAY LOWER, 3 GROUP, STANDARD [FINISH]
	99000-13133-00-YY	CUP TRAY LOWER, 3 GROUP, RAIL RAW, [WOOD]
	99000-13133-XX-YY	CUP TRAY LOWER, 3 GROUP, RAIL [FINISH], [WOOD]
4	13000-10090-XX	BACK PANEL, 2 GROUP
	13000-13090-XX	BACK PANEL, 3 GROUP
5	13003-10100	SPAR, 2 GROUP
	13003-13100	SPAR, 3 GROUP
6	99000-20175	TIMER BUTTON ASSEMBLY
7	13000-10071-XX	FRONT PANEL LOWER 2 GROUP
	13000-13071-XX	FRONT PANEL LOWER 3 GROUP
8	13000-10000	DRIP TRAY LINER, 2 GROUP
	13000-13000	DRIP TRAY LINER, 3 GROUP
9	24004-10100	Ø28 TO M36 DRAIN UPPER
10	13000-12700	DRIP TRAY LINER, STAMPED, ESPRESSO, 2 GROUP
	13000-13700	DRIP TRAY LINER, STAMPED, ESPRESSO, 3 GROUP
11	46000-50500	GASKET, DRAIN, 36 MM ID
12	24004-10060	M36 TO Ø5/8" BARB DRAIN ELBOW
13	13000-10020	MIRROR, 2 GROUP
	13000-13020	MIRROR, 3 GROUP
14	44000-36370	NUT FOR MIRROR, 8-32
15	44000-36150	HEX NUT, 1/4"-20
16	44000-36110	LOCK WASHER, TANK MOUNT
17	44000-36100	BOLT, TANK MOUNT
18	13000-10015-XX	DRIP TRAY COVER, 2 GROUP, SINGLE PIECE
	13000-13015-XX	DRIP TRAY COVER, 3 GROUP, SINGLE PIECE
19	13000-16000	DRIP TRAY BRACKET, UPPER
	13000-16001	DRIP TRAY BRACKET, LOWER
20	13003-16040-XX	GROUP NECK COVER
21	30000-20285	ADHESIVE-BACK BUMPERS
22	44000-36160	SCREW, BODY PANELS
23	10000-16010-XX	SIDE PANEL, FRONT
24	10000-16020-XX	SIDE PANEL, REAR
25	13000-10081-XX	FRONT PANEL, UPPER, 2 GROUP
	13000-13081-XX	FRONT PANEL, UPPER, 3 GROUP



ITEM NO.	PART NUMBER	DESCRIPTION
1	46000-56070	DOUBLE PORTAFILTER BASKET, RIDGELESS
	46000-56060	SINGLE PORTAFILTER BASKET, RIDGED
	46000-56551	SINGLE PORTAFILTER BASKET, RIDGELESS
	46000-56080	TRIPLE PORTAFILTER BASKET, RIDGELESS
2	46000-56160	PORTAFILTER LOCKING SPRING, 1.20 mm, STAINLESS
3	46000-56100	PORTAFILTER, BLIND
4	46000-56120	SPOUTED PORTAFILTER BODY ONLY
5	46000-56130	DOUBLE SPOUT
6	46000-56131	SINGLE SPOUT
7	24015-10011	PORTAFILTER HANDLE, OVERMOLDED RUBBER, LOGO
8	47000-61XXX	WOOD PORTAFILTER HANDLE
9	46000-56030	WOOD PORTAFILTER GASKET
10	46000-56041	PORTAFILTER BODY, NAKED, METAL ONLY