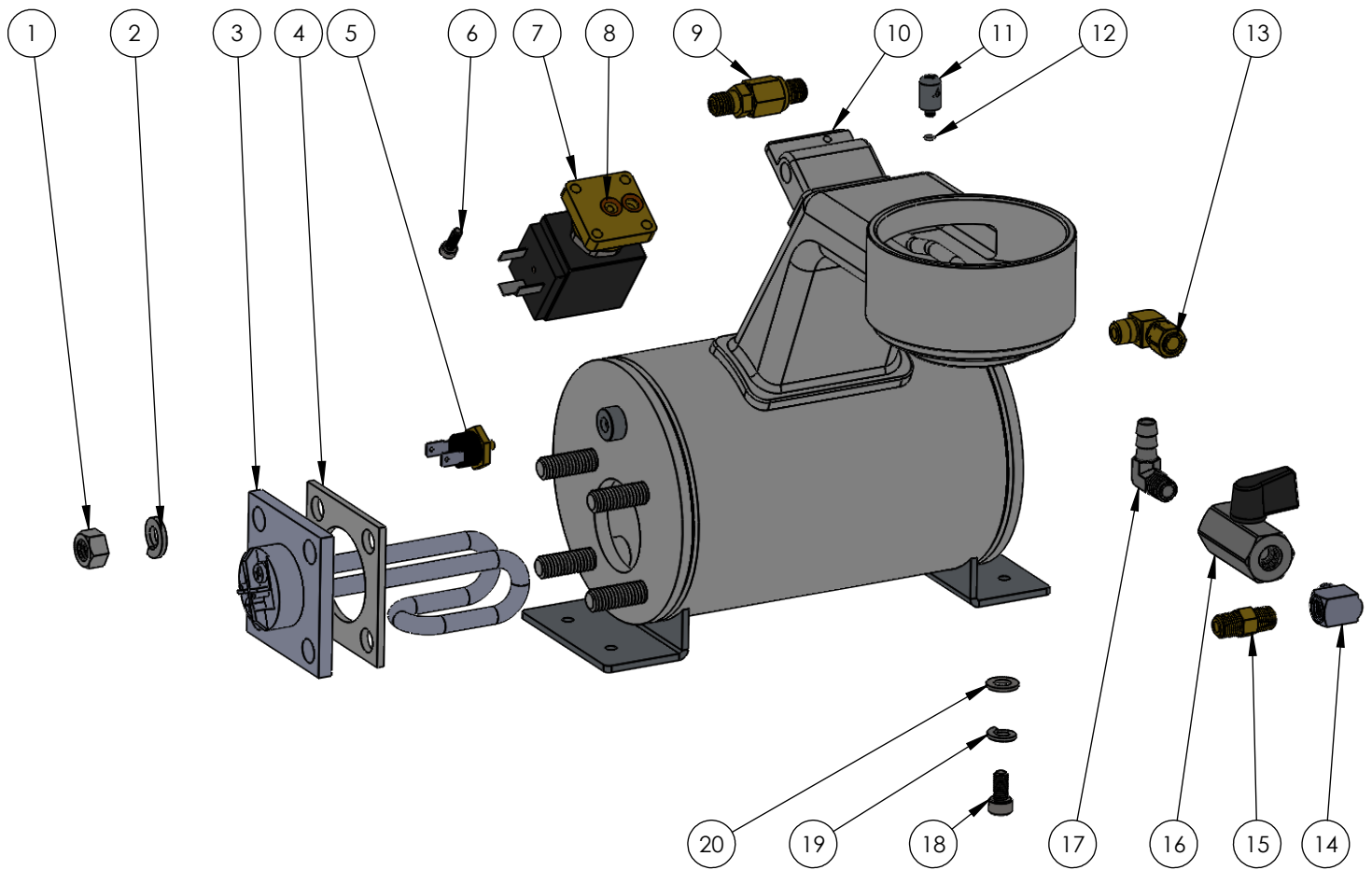
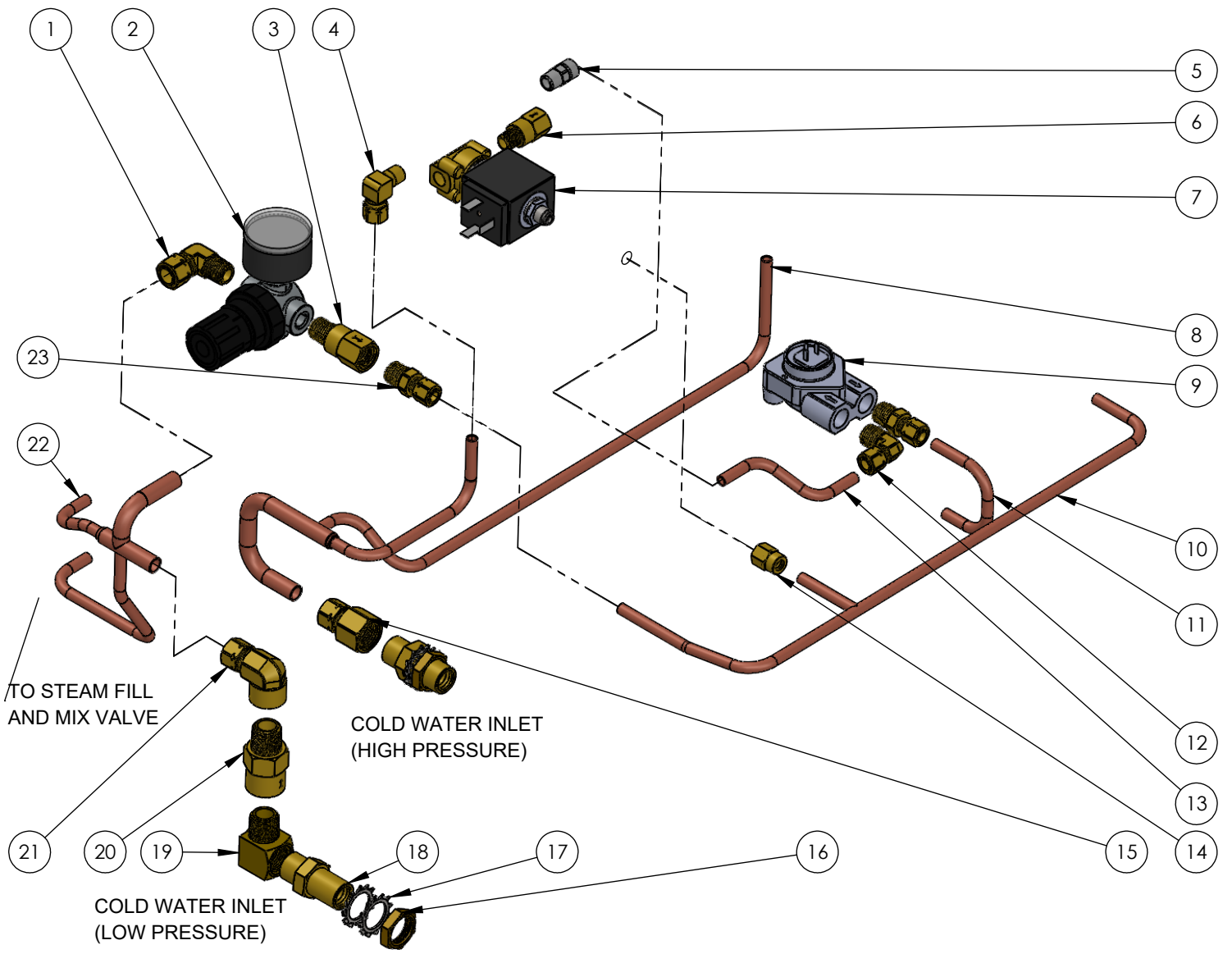


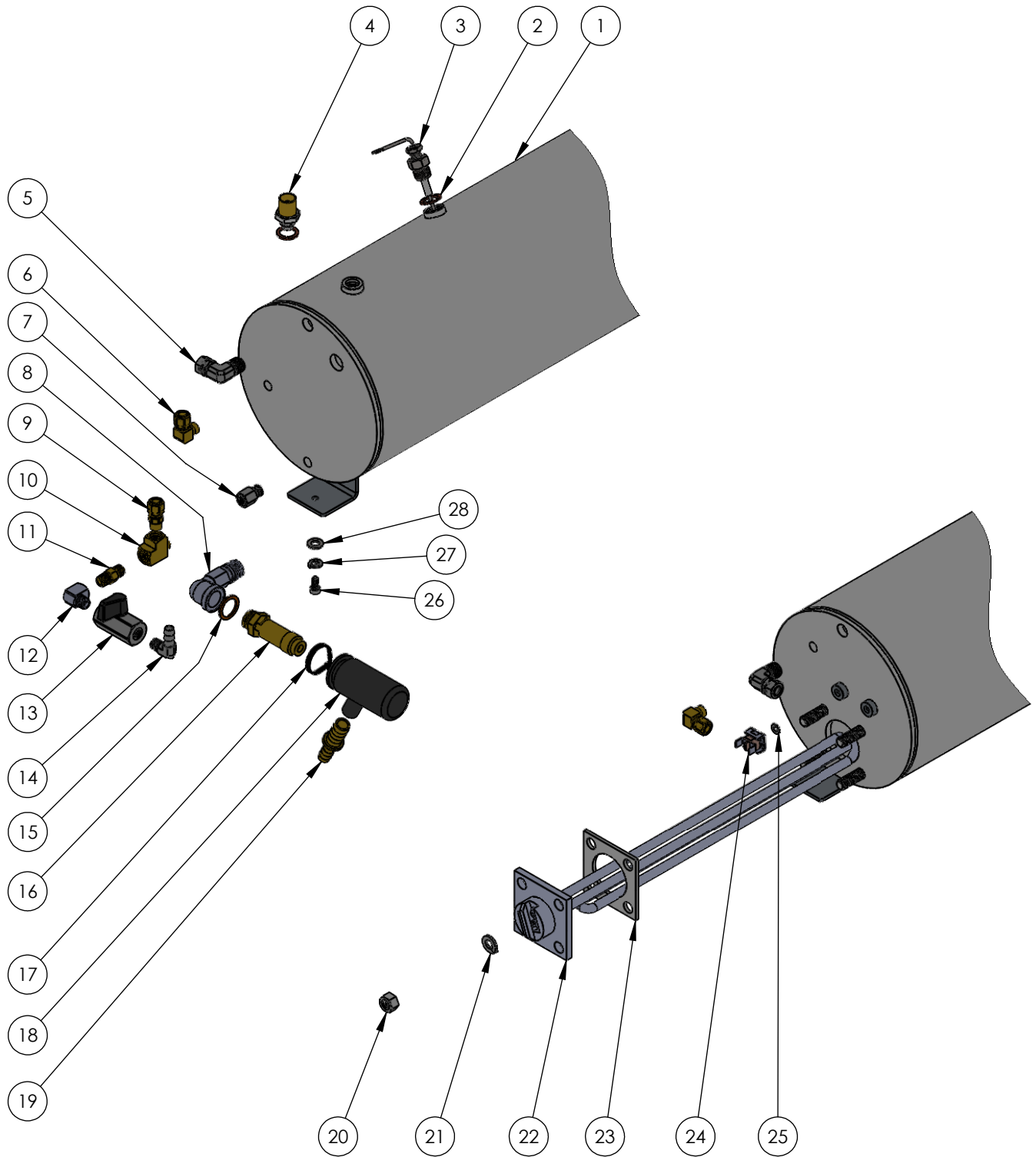
ITEM NO.	PART NUMBER	DESCRIPTION
1	44000-36152	SCREW,OVAL HD,1/4-20X0.50,SLOTTED,18-8 SS
2	44000-50210	INSERT NUT FOR BREW HANDLE, STAINLESS
3	44000-50190	SPACER FOR GROUP HANDLE
4	44000-50260	GROUP COVER MOUNT SCREW
5	99015-10150	BREW ACTUATOR ASSEMBLY, ONYX DURATEX
	99005-56510	BREW ACTUATOR ASSEMBLY, SAPELE
	99005-56500	BREW ACTUATOR ASSEMBLY, DURATEX
6	20000-16080	GROUP COVER
7	10000-16210	SPACER
8	44000-16220	WASHER, FENDER, 3/8 X 1.25 X 0.05, SS
9	99003-50051	TONGUE ASSY
10	44000-36330	SCREW,RH,-ELW,4-40X.25,SS
11	30000-20032	MAG SWITCH, N/C, PINNED
12	46000-50272	STANDOFF, NYLON, 0.5 L, .50 OD, .257 ID
13	99004-16102	BREW CAP WITH MAGNET ASSY
14	46000-50100	GROUP CAP PAPER GASKET
15	46000-50090	GROUP CAP O RING
16	20000-56010	BAYONET RING
17	46000-50080	DIFFUSER SCREW, STAINLESS
18	46000-50073	NANO COATED SHOWER SCREEN
19	46000-56091	PORTAFILTER GASKET
20	44000-36000	INVERTED MAG SWITCH SPACER
21	30000-20042	MAG SWITCH, N/O, PINNED
22	44000-36140	SCREW/WASHER FOR INVERTED MAGNET
23	44000-56000	SCREW, SOCKET HEAD CAP, M8 THREAD, 55mm LENGTH, 1.25mm PITCH, STAINLESS
24	30005-20081	THERMISTOR, STEAM - 3K3 NTC
25	10000-16162	STEM, BREW ACTUATOR, SHORT
26	46000-50240	DISC SPRING
27	44000-16080	WASHER, PAPER, GREY
28	10000-16200	OILITE BUSHING
29	46000-53070	TEFLON GASKET 27MM



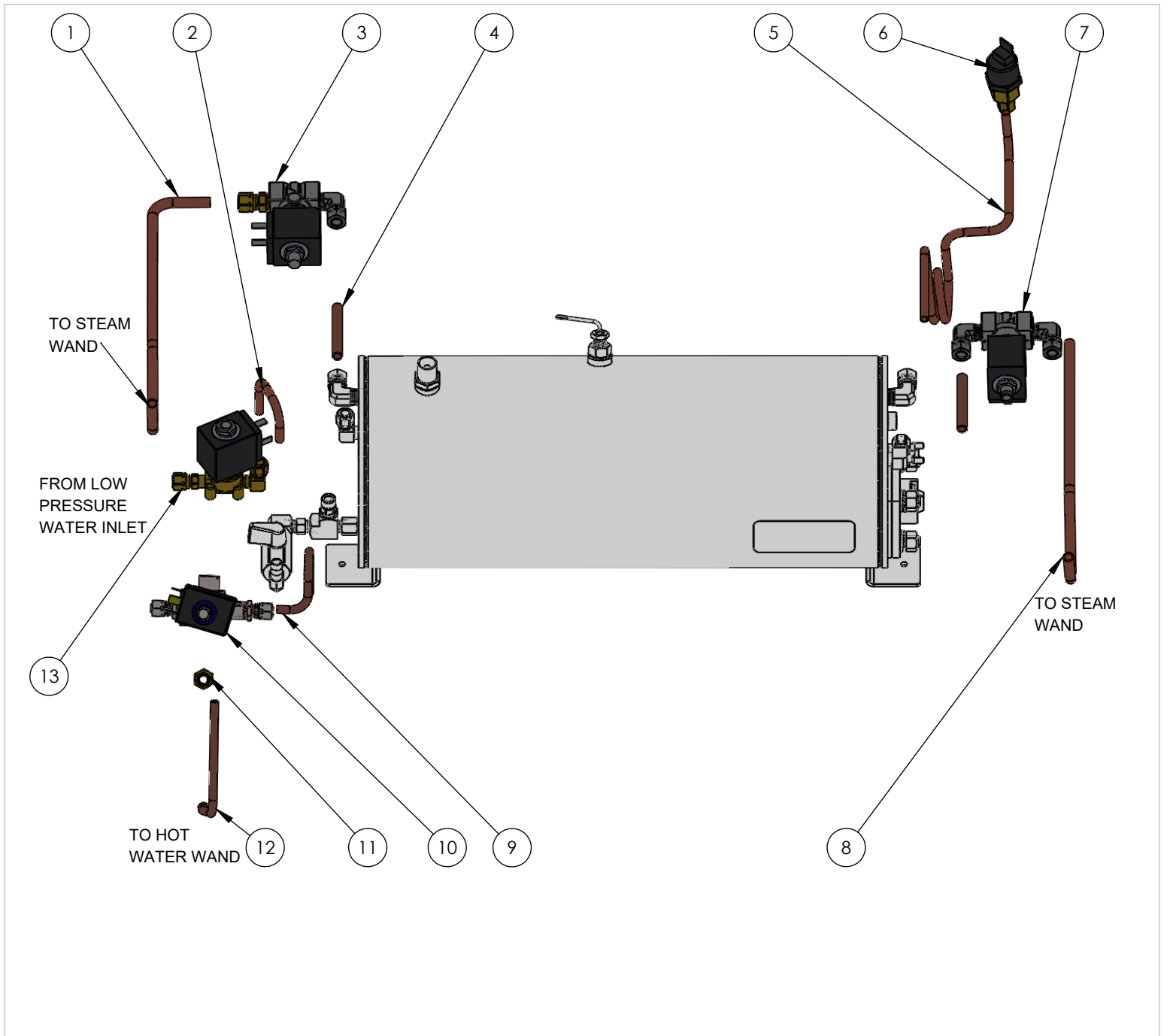
ITEM NO.	PART NUMBER	DESCRIPTION
1	44000-36080	3/8-16 NUT
2	44000-36070	3/8 LOCK WASHER
3	30000-20130	600 WATT BREW TANK ELEMENT
4	30000-20140	ELEMENT GASKET
5	30000-20251	THERMOSTAT,110C
6	44005-10090	SOLENOID MOUNT SCREW
7	30000-20153	3 WAY SOLENOID VALVE, 24VDC COIL
8	46000-10040	O-RING, FKM, DASH NO. -010
9	42000-10170	EXPANSION VALVE,11 BAR, 1/8" NPT IN X G1/8 OUT
10	15005-16061	BREW TANK, STEAM
11	10005-16061	GIGGLEUR, 0.6mm
12	46000-10010	O RING FOR JET HOLDER, 1 X 3
13	42000-34560-LF	FITTING, ELBOW, 1/4" COMP X 1/8" NPTF - M, BRASS
14	42000-34110-LF	ELBOW, 1/8NPT,FXM,BRASS,PB FREE
15	42000-34180-LF	HEX NIPPLE, 1/8 MNPT, BRASS,PB FREE
16	42000-50290	BALL VALVE, 1/8" NPT
17	42005-10080	BRASS HOSE BARB SHORT 1/8NPT 5/16 ID HOS
18	44005-10012	SHCS,M6-1.0X12MM,18-8 SS
19	44000-36110	LOCK WASHER, TANK MOUNT
20	46000-53040	WASHER, FLAT, M7 SCREW SIZE, 14MM OD
NOT SHOWN	30000-20443	HARNES, BREW TANK CONNECTION
NOT SHOWN	30000-19011	HEAT-SHRINK PVC PLASTIC TUBING, 1.50" ID BEFORE SHRINKING



ITEM NO.	PART NUMBER	DESCRIPTION
1	42000-34170-LF	COMPRESSION TUBE FITTING, ELBOW FOR 3/8" TUBE OD X 1/4 NPT
2	99015-10100	REGULATOR ASSEMBLY, STEAM LP
3	42000-10120	CHECK VALVE, 1/4" MNPT X 1/4" FNPT, 1PSI, BRASS
4	42000-34560-LF	FITTING, ELBOW, 1/4" COMP X 1/8" FNPT - M
5	42000-34500-LF	FITTING, STRAIGHT, 1/4" COMP X 1/8" FNPT - M, BRASS
6	42000-10110-EN	CHECK VALVE, 1/8" MNPT X 1/8" FNPT, 1PSI, BRASS
7	30000-20160	VALVE, 3-WAY, 1/8" NPT, 2mm, 24V
8	40015-32040	BREW DISTRIBUTION TUBE ASSY, STEAM LP, 2 GROUP
	40015-32030	BREW DISTRIBUTION TUBE ASSY, STEAM LP, 3 GROUP
9	30005-21200	FLOW METER
10	40015-32017	PREINFUSION TUBE ASSY, STEAM LP, 2 GROUP
	40015-32018	PREINFUSION TUBE ASSY, STEAM LP, 3 GROUP
11	40005-32110	FLOW METER TUBE
12	42000-34702-LF	FITTING, ELBOW, 1/4" COMP X 1/4" MNPT, BRASS
13	40015-32019	INTG BDY 3-WAY TO FL METER TUBE, STEAM LP
14	42005-10010	TUBE NUT, G1/8" TO 1/4" COMP
15	42000-34530-LF	FITTING, STRAIGHT, 3/8" COMP X 3/8" FNPT, BRASS
16	44000-10010	BRASS NUT - SCREW/BOTH
17	44000-36360	LOCKWASHER, EXTERNAL TOOTH, FOR M16
18	42000-10010-NG	EXTENSION 3/8-19 BSPP FITTING
19	42004-34500-LF	FITTING, ELBOW, 3/8" MNPT X 3/8" MNPT, BRASS
20	46005-34620-EN	CHECK VALVE, 3/8" NPT, FXM, BRASS, PLATED
21	42015-10010-LF	FITTING, ELBOW, 3/8" COMP X 3/8" FNPT, BRASS
22	40015-32090	LINE PRESSURE TUBE ASSY, STEAM LP
23	42000-34700-LF	FITTING, STRAIGHT, 1/4" COMP X 1/4" MNPT, BRASS



ITEM NO.	PART NUMBER	DESCRIPTION
1	15005-12112	STEAM TANK, SLAYER STEAM, 2 GROUP
	15005-13112	STEAM TANK, SLAYER STEAM, 3 GROUP
2	46000-50150	GASKET , COPPER, FLAT, 19X13.5X1.5mm
3	30000-50170	WATER LEVEL PROBE, STEAM / SINGLE GRP,103mm
4	46000-50140	VALVE, ANTI-SUCTION/VACUUM, 1/4"
5	42000-34680-LF	ELBOW, 5/16 COMP X 1/4 MNPTF,BRASS,PB FREE
6	42000-34560-LF	ELBOW,1/4 COMP X 1/8 MNPTF,BRASS,PB FREE
7	42000-10040-LF	EXTENSION FITTING, 1/8 NPT, MXF,PB FREE
8	42000-10200	G3/8-F X R3/8 STREET ELBOW
9	42000-34500-LF	ADAPTER, 1/4 COMP X 1/8 MNPTF,BRASS,PB FREE
10	42000-34580-LF	TEE, 1/8 NPT,FXFXM,BRASS,PB FREE
11	42000-34180-LF	HEX NIPPLE, 1/8 MNPT, BRASS,PB FREE
12	42000-34110-LF	ELBOW, 1/8NPT,FXM,BRASS,PB FREE
13	42000-50290	BALL VALVE, 1/8" NPT
14	42005-10080	BRASS HOSE BARB SHORT 1/8NPT 5/16 ID HOS
15	46000-50130	GASKET, COPPER ,FLAT, 22X17X1.5mm
16	46000-50400	CB PRV, 1.9 BAR
17	30000-50000	CABLE TIE, 4IN, BLACK, HIGH TEMP
18	24000-10010	PRV COVER, RUBBER
19	42000-34820	REDUCER, STRAIGHT, BARBS, HOSE, 3/8 X 1/2
20	44000-36080	3/8-16 NUT
21	44000-36070	3/8 LOCK WASHER
22	30000-20090	STEAM ELEMENT, 220V, 3500W, 2 GROUP
	30000-20100	STEAM ELEMENT, 220V, 4500W, 3 GROUP
23	30000-20140	ELEMENT GASKET
24	30000-20261	THERMOSTAT, 25A, 145C, STEAM TANK
25	44000-10030	WSHR,FLT,#8,ALUMINUM
26	44005-10100	SHCS,M5-0.8X10MM,18-8 SS
27	44000-36110	LOCK WASHER, TANK MOUNT
28	46000-53040	WASHER, FLAT, M7 SCREW SIZE, 14mm OD, 1.4mm-1.8mm THICK



ITEM NO.	PART NUMBER	DESCRIPTION
1	40015-32007	STEAM ACTUATOR TO LEFT WAND TUBE, STEAM BASIC
2	40005-32110	FLOW METER TUBE
3	99015-10001-LF	STEAMSOLENOIDASSY,LEFT,STEAM EP,TRTD
4	40015-32003	STEAM TANK TO ACTUATOR TUBE, STEAM BASIC
5	40015-32010	ELTEK PRESSURE TRANSDUCER TUBE, STEAM
6	99005-17010-LF	PRESSURE TRANSDUCER ASSEMBLY, ELTEK
7	99015-10002-LF	STEAMSOLENOIDASSY,RIGHT,STEAM EP,TRTD
8	40015-32005	STEAM ACTUATOR TO RIGHT WAND TUBE, STEAM BASIC
9	40015-32100	STEAM TANK TO HOT WATER MIX TUBE, STEAM LP
10	99015-10070	HOT WATER ASSEMBLY, SLAYER STEAM
11	44000-36220	FITTING, 45 DEGREE, FLARED, SHORT NUT FOR 1/4" TUBE OD, BRASS
12	40015-32085	MIX WATER TO FAUCET TUBE
13	99015-10080-LF	STEAM FILL ASSY,TRTD



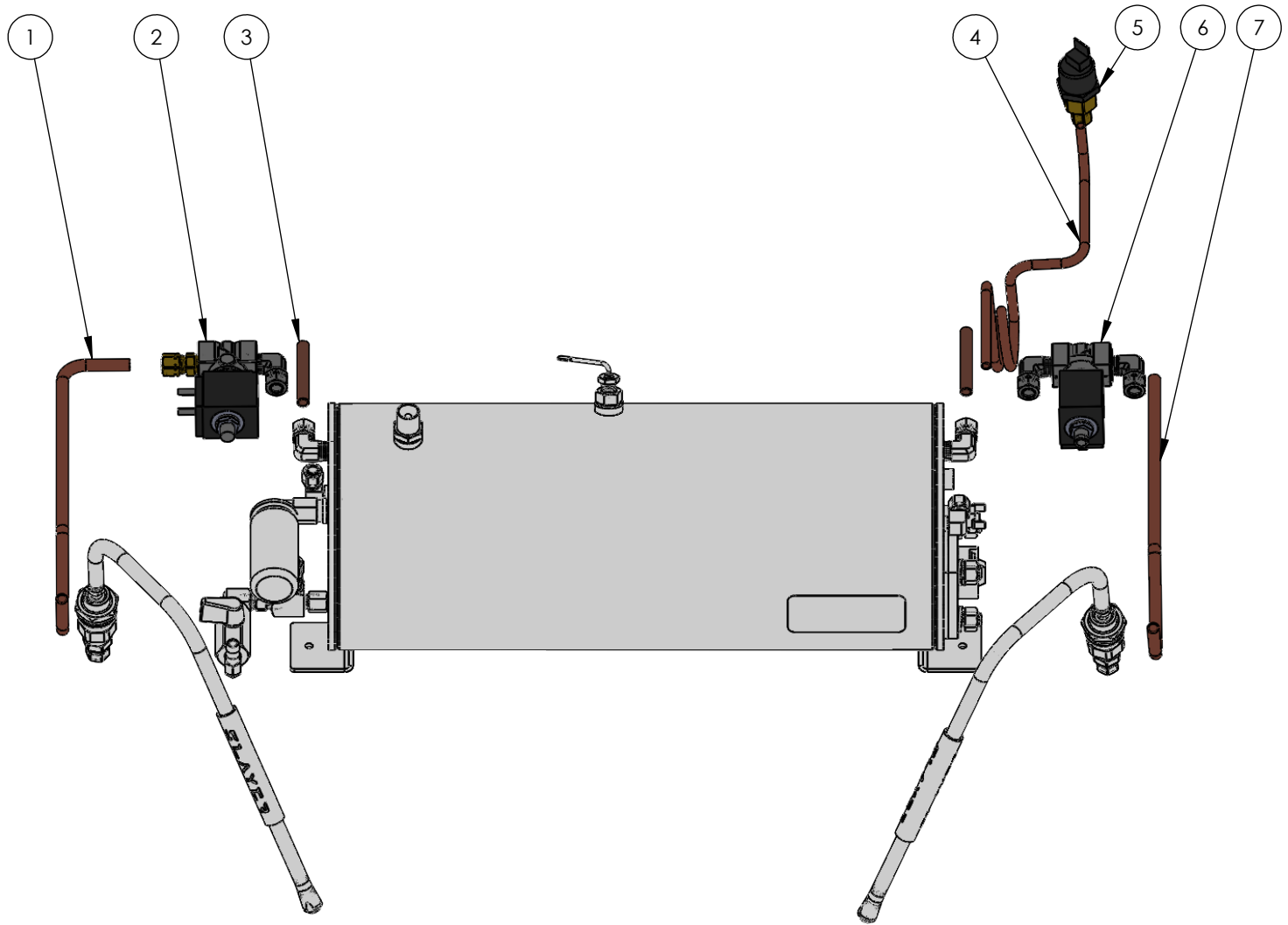
support@slayerespresso.com (206) 284-7171

PARTS MANUAL - STEAM LP

STEAM AND HOT WATER VALVE TRAIN

DOC NO.

REVISION NO.



ITEM NO.	PART NUMBER	DESCRIPTION
1	40015-32007	STEAM ACTUATOR TO LEFT WAND TUBE, STEAM BASIC
2	99015-10001-LF	STEAMSOLENOIDASSY,LEFT,STEAM EP,TRTD
3	40015-32003	STEAM TANK TO ACTUATOR TUBE, STEAM BASIC
4	40015-32010	ELTEK PRESSURE TRANSDUCER TUBE, STEAME
5	99005-17010-LF	PRESSURE TRANSDUCER ASSEMBLY, ELTEK
6	99015-10002-LF	STEAMSOLENOIDASSY,RIGHT,STEAM EP,TRTD
7	40015-32005	STEAM ACTUATOR TO RIGHT WAND TUBE, STEAM BASIC



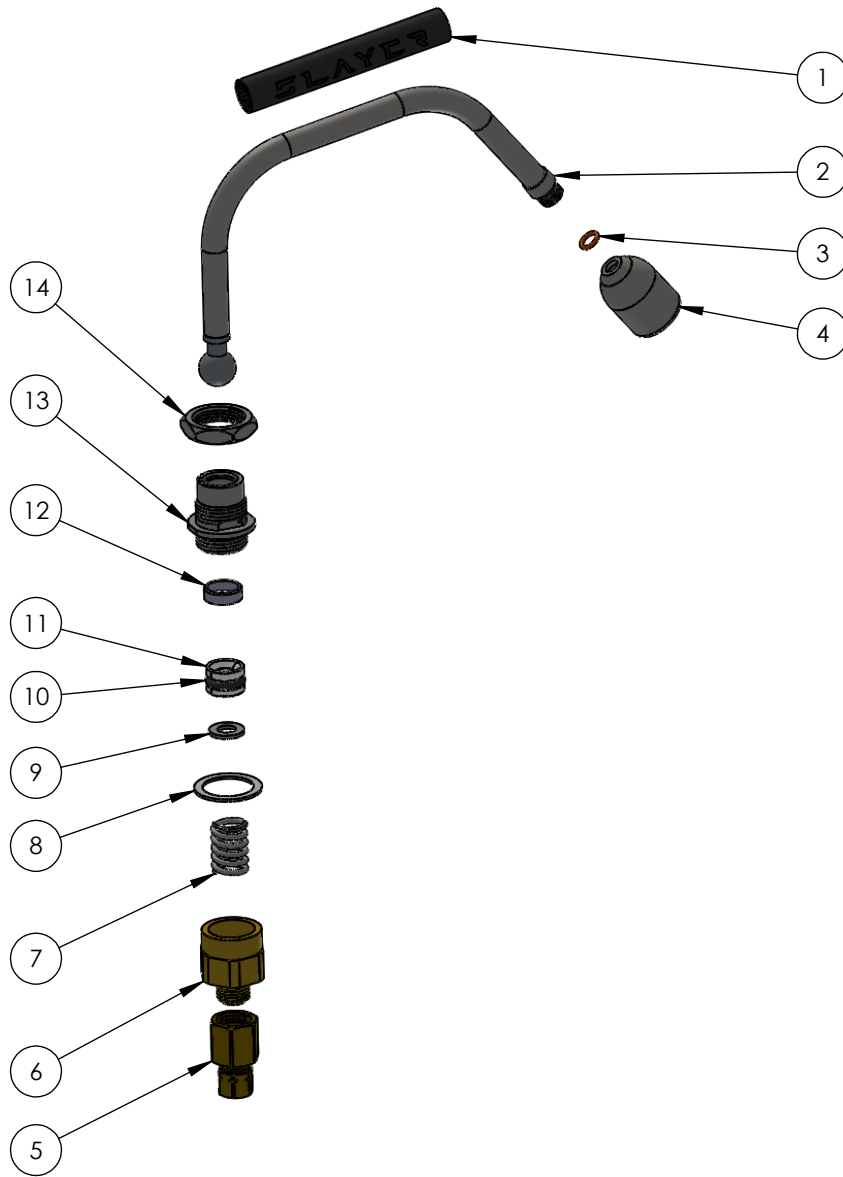
support@slayerespresso.com (206) 284-7171

PARTS MANUAL - STEAM LP

STEAM CIRCUIT

DOC NO.

REVISION NO.



ITEM NO.	PART NUMBER	DESCRIPTION
1	46005-53170	GRIP, STEAM WAND, COOL TOUCH
2	40005-50360	HOT WATER WAND, TALL CUP, SLAYER STEAM
3	46000-50030	O RING FOR STEAM TIP, 1.5 X 6
4	46000-50350	HOT WATER SPOUT
5	42000-34710	FITTING, STRAIGHT, 1/4" COMP X 1/4" FNPT
	42000-34710-LF	
6	46005-53010	REAR BLOCK FOR STEAM ASSEMBLY
	42000-53010-NG	
7	46005-53030	ARTICULATION SPRING FOR STEAM VALVE, 13X18MM
8	46000-53070	TEFLON GASKET 27MM
9	46000-53040	WASHER, FLAT, M7 SCREW SIZE, 14mm OD
10	46000-53050	O-RING FOR VALVE BUSHING
11	46005-53061	WAND BUSHING
12	46005-53110	STEAM SEAL
13	10005-10002	STEAM, WAND SOCKET
14	10005-10008	STEAM AND HOT WATER LOCK NUT



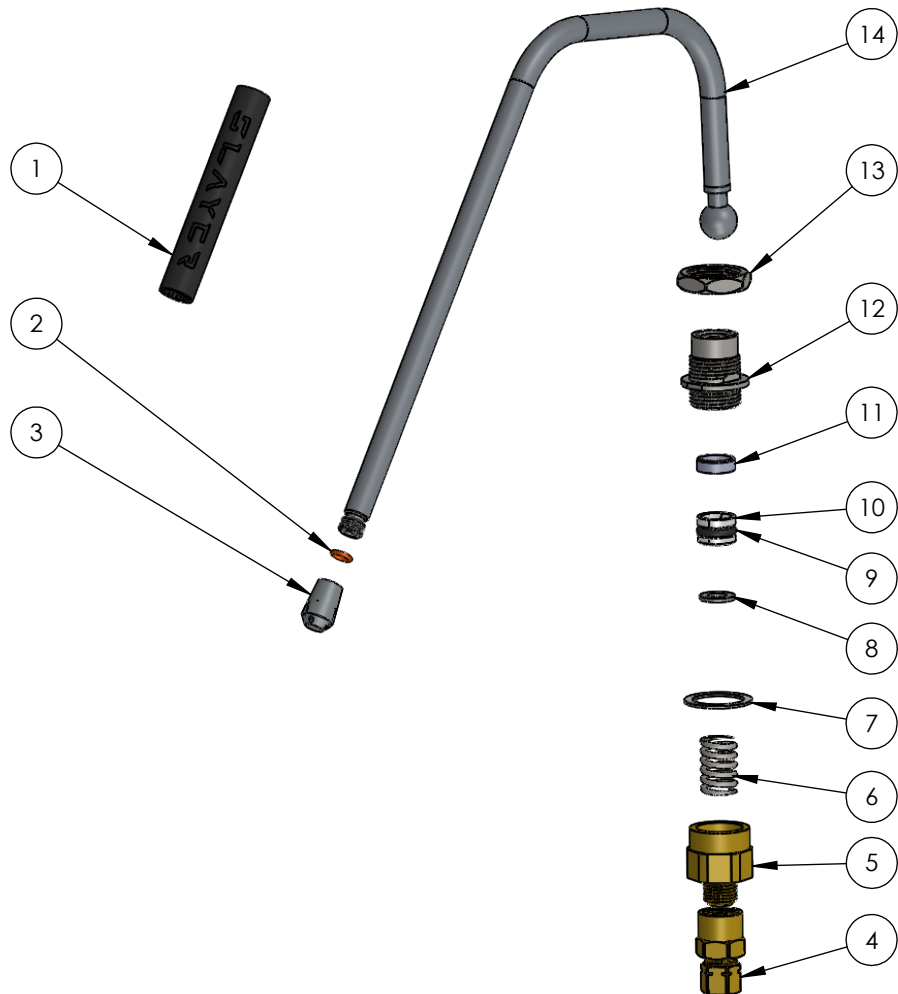
support@slayerespresso.com (206) 284-7171

PARTS MANUAL - STEAM LP

HOT WATER WAND ASSEMBLY

DOC NO.

REVISION NO.



ITEM NO.	PART NUMBER	DESCRIPTION
1	46005-53170	GRIP, STEAM WAND, COOL TOUCH
2	46000-50030	O RING FOR STEAM TIP, 1.5 X 6
3	46000-50343	STEAM TIP, 1.3MM, #3 (STOCK)
	46000-50340	STEAM TIP #0
	46000-50341	STEAM TIP #1
	46000-50342	STEAM TIP #2
	46000-50344	STEAM TIP #4
	46000-50345	STEAM TIP #5
4	42000-34540	FITTING, 5/16" TUBE OD X 1/4" NPTF - F, BRASS
	42000-3450-LF	
5	46005-53010	REAR BLOCK FOR STEAM ASSEMBLY
	46005-53010-NG	
6	46005-53030	ARTICULATION SPRING FOR STEAM VALVE, 13X18MM
7	46000-53070	TEFLON GASKET 27MM
8	46000-53040	WASHER, FLAT, M7 SCREW SIZE, 14mm OD, 1.4mm-1.8mm THICK
9	46000-53050	O-RING FOR VALVE BUSHING
10	46005-53061	WAND BUSHING
11	46005-53110	STEAM SEAL
12	10005-10002	STEAM, WAND SOCKET
13	10005-10008	STEAM AND HOT WATER LOCK NUT
14	40005-50330	STEAM WAND, SLAYER STEAM



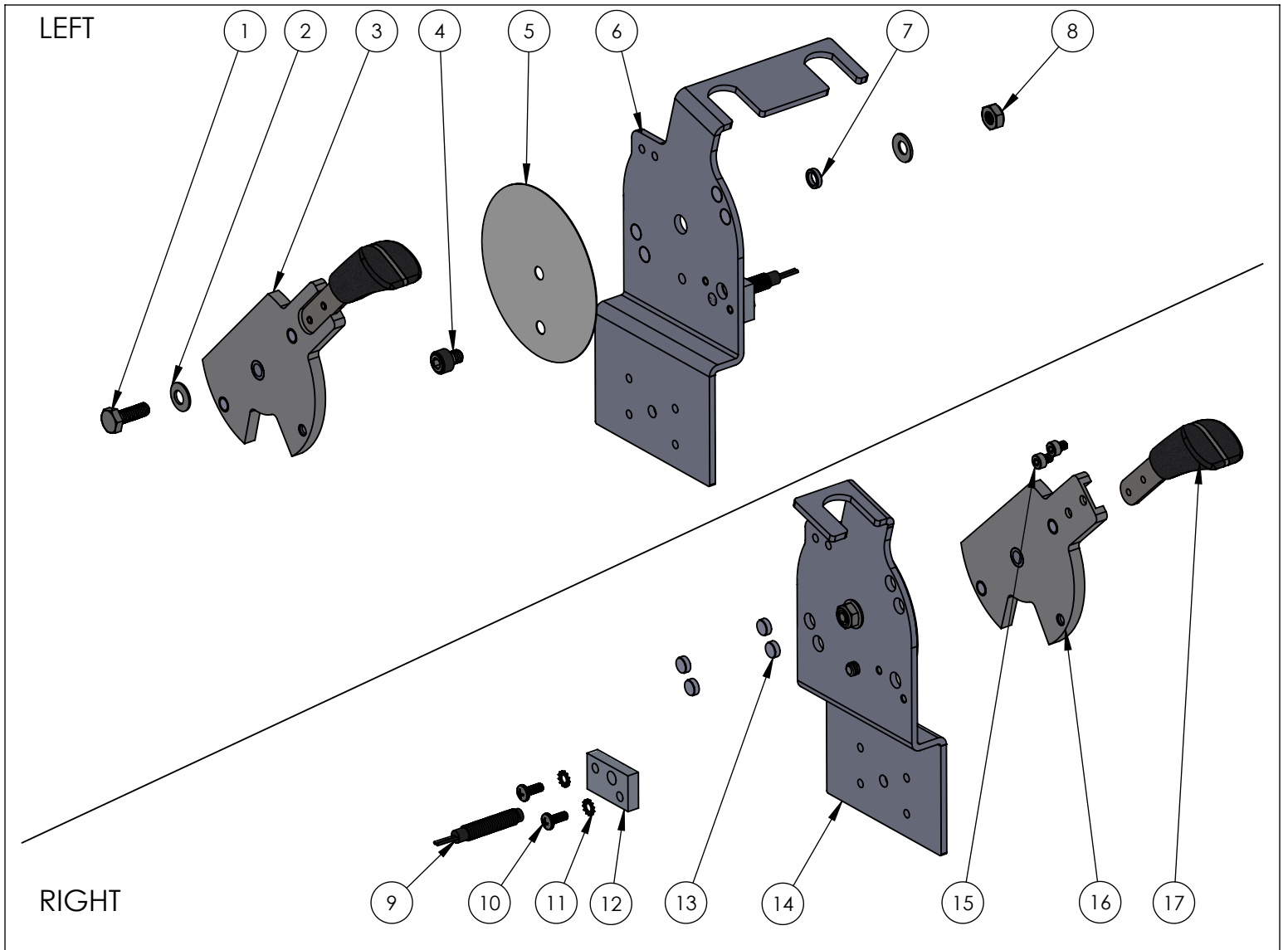
support@slayerespresso.com (206) 284-7171

PARTS MANUAL - STEAM LP

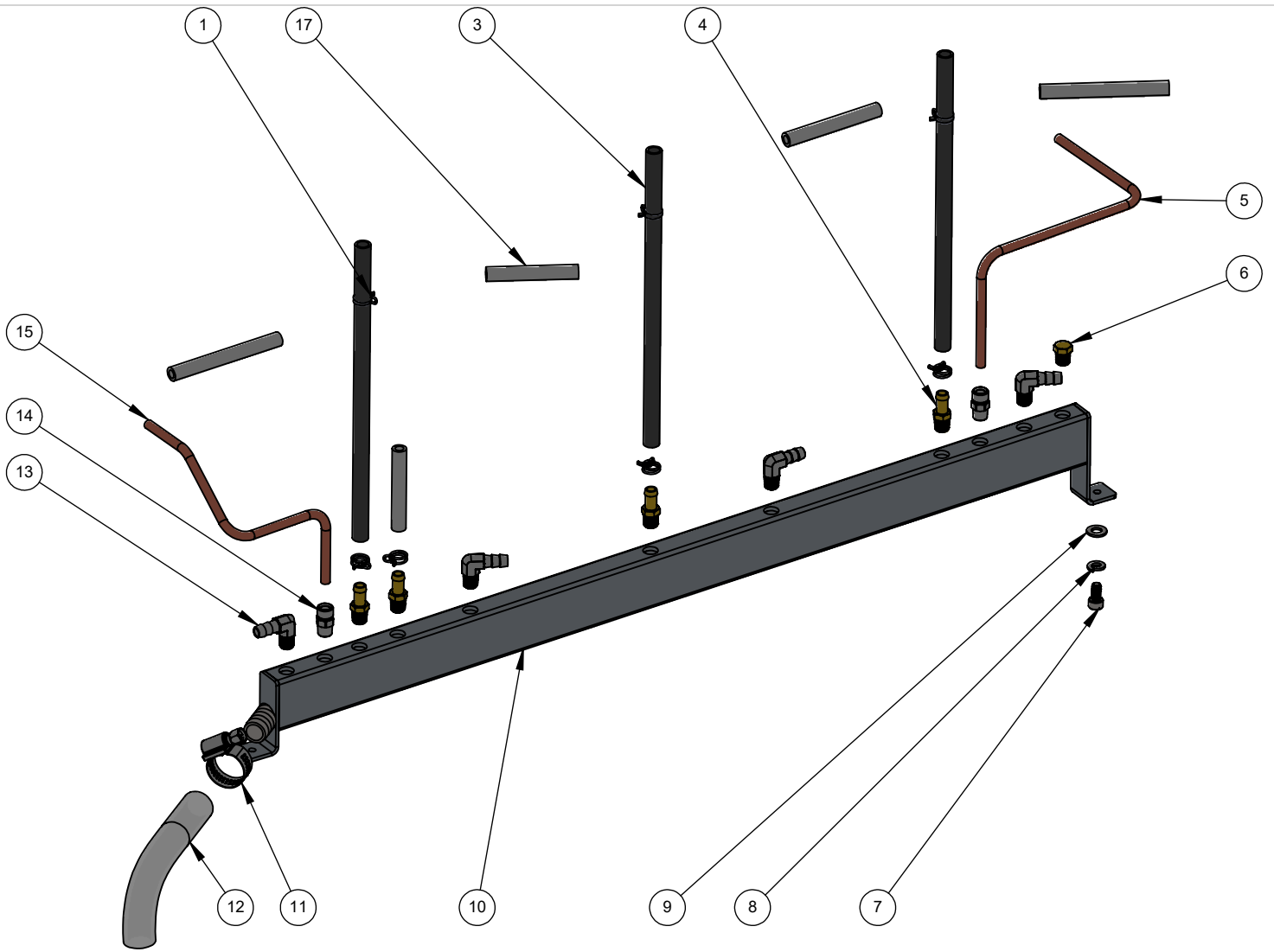
STEAM WAND, STEAM LP

DOC NO.

REVISION NO.

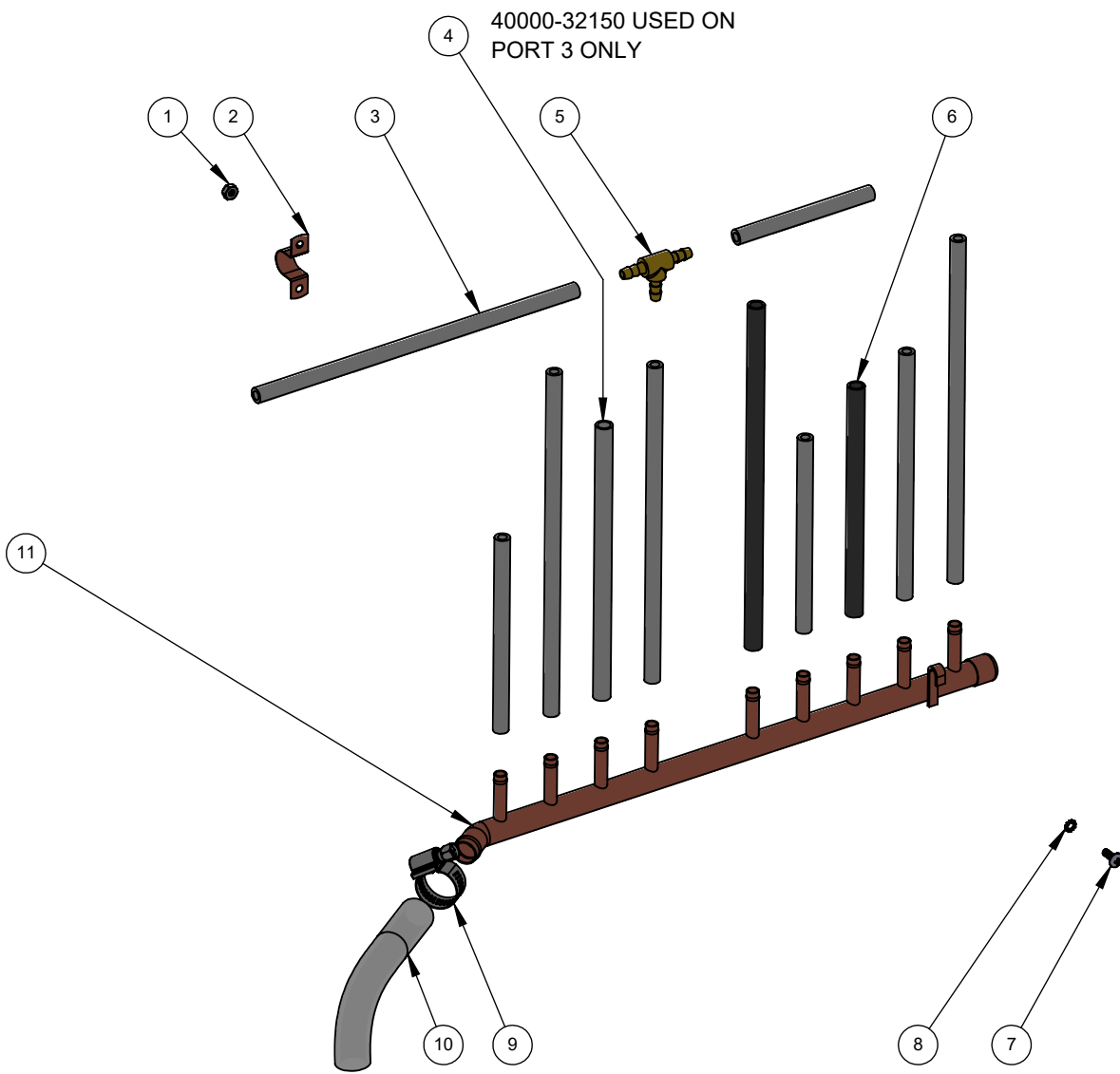


ITEM NO.	PART NUMBER	DESCRIPTION
1	44000-36102	BOLT, HEX HEAD, 1/4-20 X 3/4
2	44005-10320	PLASTIC STEAM ACTUATOR DISK SPRING
3	99015-10004	LEFT ACTUATOR HANDLE ASSEMBLY
4	44000-36260	ACTUATOR, STEAM, STOP BOLT, SHORT
5	46005-01010	TEFLON GASKET
6	13005-30045	CHASSIS BRACE LEFT FRONT, STEAM
7	10005-02010	STEAM ACTUATOR BUSHING, SMALL
8	46005-10026	18-8 STAINLESS STEEL THIN NYLON-INSERT LOCKNUT, 1/4-20
9	30005-20031	BARREL SWITCH W/ MOLEX, N/C
10	44005-10340	SCREW, PHMS, M4-0.7X10MM, PHILLIPS, 18-8 SS
11	44005-10350	18-8 EXTERNAL-TOOTH LOCK WASHER FOR M4 SCREW
12	10005-03090	MAGNETIC SWITCH MOUNT
13	46003-50061	NEODYMIUM DISC MAGNET, 5/16" DIAMETER, 1/8" THICK, 4.4LBS PULL, NICKEL
14	13005-30009	CHASSIS BRACE RIGHT FRONT, STEAM
15	44000-36310	SOLENOID MOUNT SCREW
16	99015-10003	RIGHT ACTUATOR HANDLE ASSEMBLY
17	99015-10160	STEAM ACTUATOR HANDLE ASSEMBLY, ONYX DURATEX
	99005-30036	STEAM HANDLE, DURATEX
	99005-30040	STEAM HANDLE, SAPELE



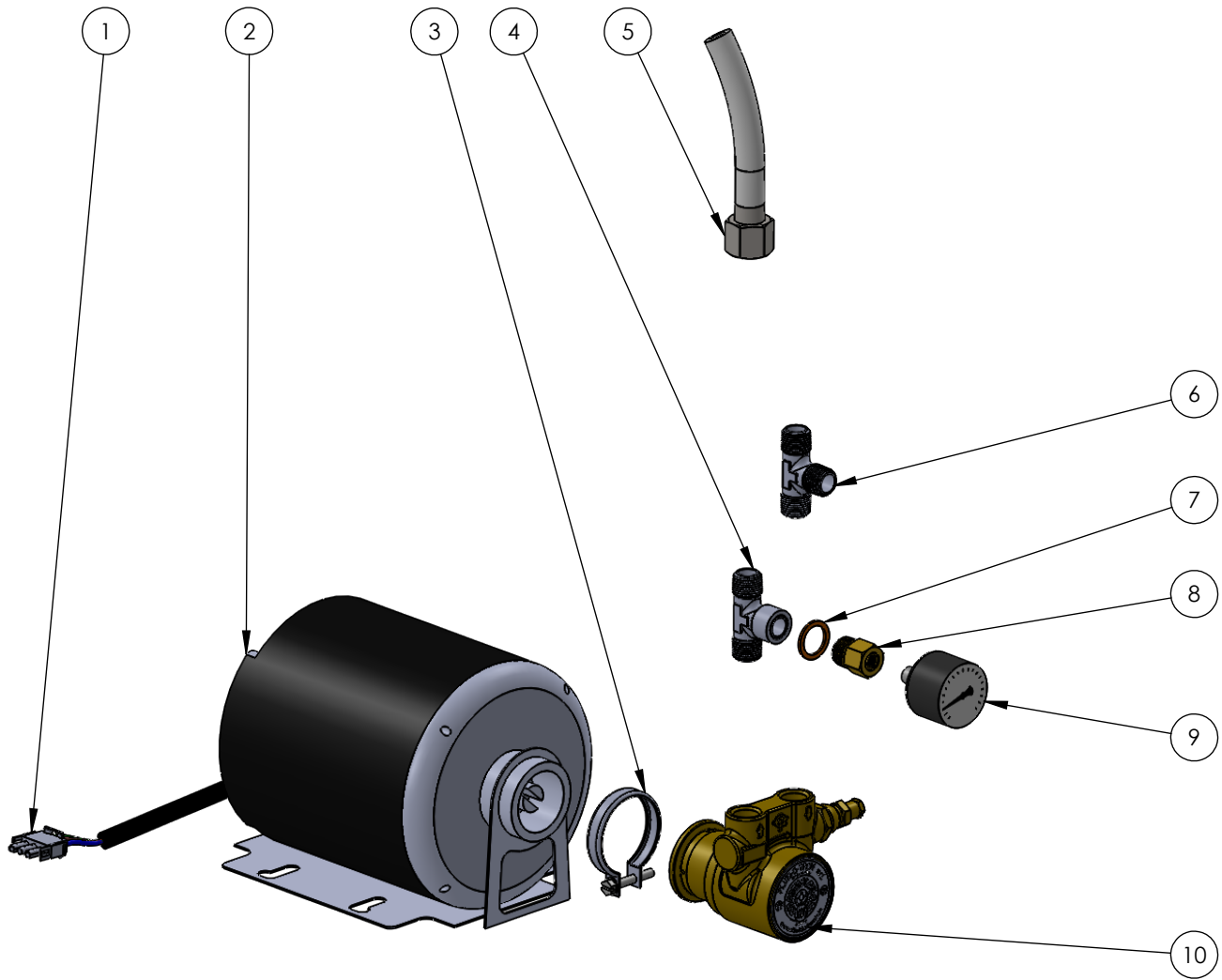
3 GROUP CONFIGURATION

ITEM NO.	PART NUMBER	DESCRIPTION
1	44000-36280	SPRING CLIP,3-WAY SOLENOID VALVE,11.6-12.2mm, MEDIUM
17	40000-32160	SILICONE RUBBER HOSE ID 6mm X OD 10mm
3	40000-32180	EPDM RUBBER TUBING, 5/16 ID X 7/16 OD
4	42005-10030	BRASS HOSE BARB SHORT 1/8NPT 5/16 ID HOSE
5	40015-32008	STEAM ACTUATOR DRAIN TUBE, RIGHT
6	42000-34300	BLEED SCREW PLUG
7	44005-10012	SHCS,M6-1.0X12MM,18-8 SS
8	44000-36110	LOCK WASHER, TANK MOUNT
9	46000-53040	WASHER, FLAT, M7 SCREW SIZE, 14mm OD, 1.4mm-1.8mm THICK
10	13005-30018	DRAIN MANIFOLD, STEAM, 3GP
	13005-20018	DRAIN MANIFOLD, STEAM, 3 GROUP
11	40000-32060	WORM-DRIVE HOSE CLAMP, NONSLIP SCREW 1/2" TO 1-1/16" CLAMP DIAMETER RANGE, 9/16" BAND WIDTH
12	40000-32170	3-A SANITARY CLEAR PVC VACUUM TUBING 5/8" ID, 7/8" OD, 1/8" WALL THICKNESS
13	42005-10080	BRASS HOSE BARB SHORT 1/8NPT 5/16 ID HOS
14	42000-34500	FITTING, 1/4" TUBE OD X 1/8" NPTF - M, BRASS
15	40015-32009	STEAM ACTUATOR DRAIN TUBE, LEFT

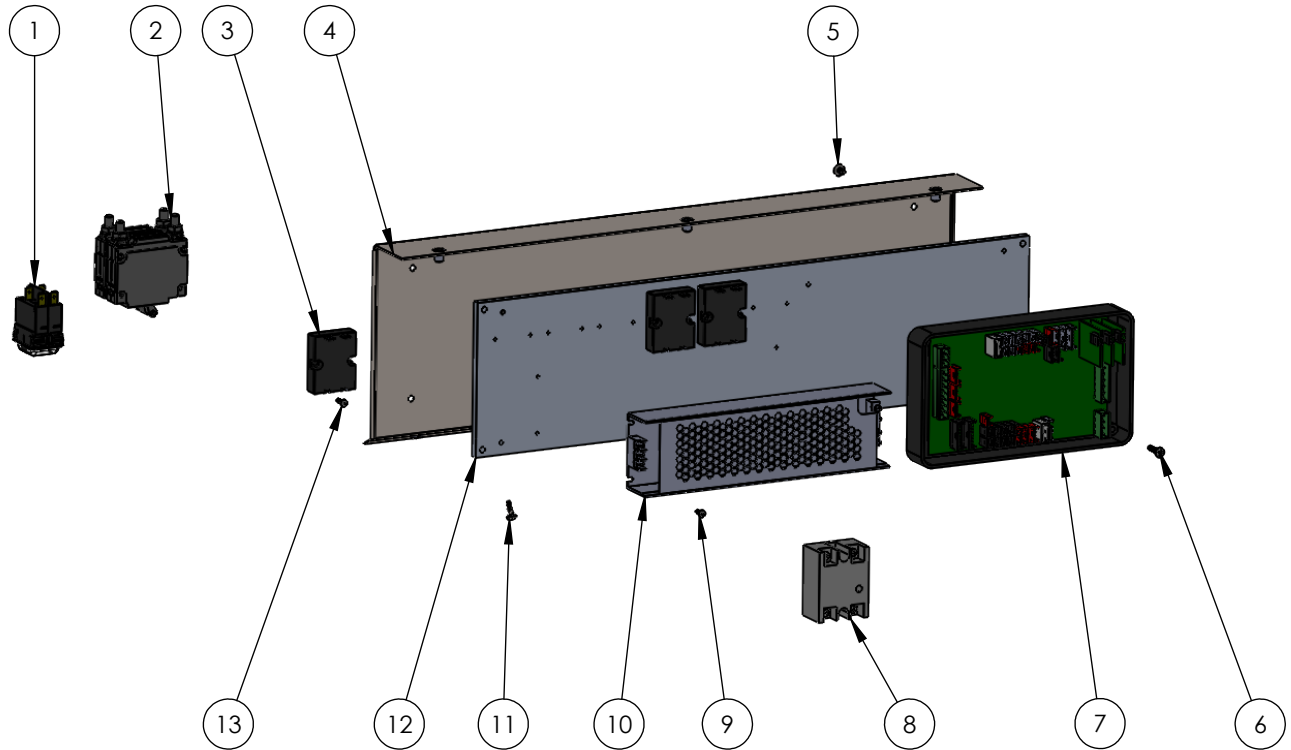


2 GROUP CONFIGURATION

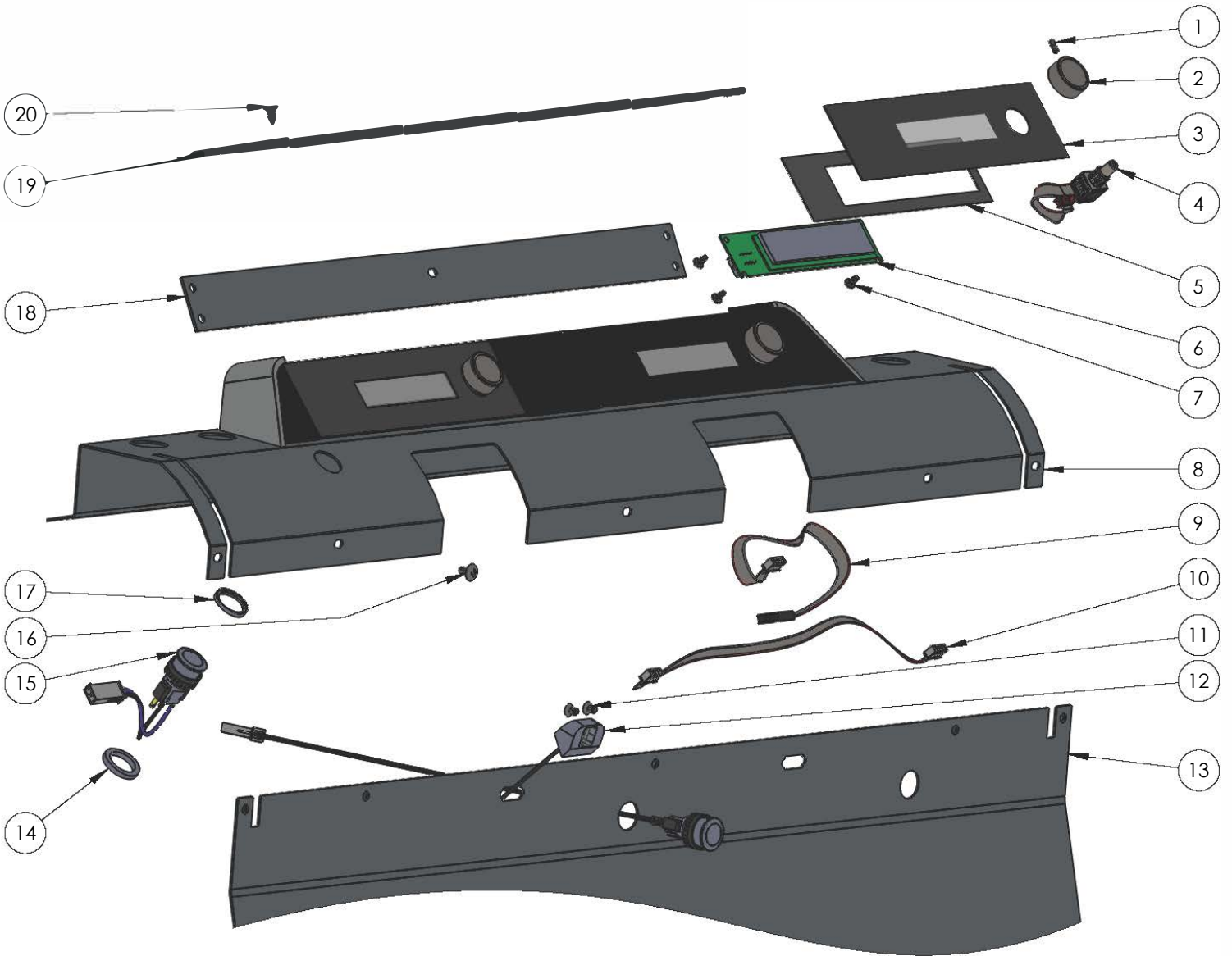
ITEM NO.	PART NUMBER	DESCRIPTION
1	44004-36050	NUT,NYLOCK,8-32
2	40000-32610	CLAMP,COPPER,1/2IN
3	40000-32160	SILICONE RUBBER HOSE ID 6mm X OD 10mm
4	40000-32150	HOSE, SILICONE, HI-TEMP, 0.31 ID X 0.06 WALL
5	42000-10240	1/4" BARBED TEE, BRASS
6	40000-32180	EPDM RUBBER TUBING, 5/16 ID X 7/16 OD
7	44000-36160	SCREW, BODY PANELS
8	44005-10350	18-8 EXTERNAL-TOOTH LOCK WASHER FOR M4 SCREW
9	40000-32060	WORM-DRIVE HOSE CLAMP, NONSLIP SCREW 1/2" TO 1-1/16" CLAMP DIAMETER RANGE, 9/16" BAND WIDTH
10	40000-32170	3-A SANITARY CLEAR PVC VACUUM TUBING 5/8" ID, 7/8" OD, 1/8" WALL THICKNESS
11	40015-32095	DRAIN TUBE ASSY, STEAM, COPPER
12	30000-50000	CABLE TIE, 4IN, BLACK, HIGH TEMP
13	44000-36280	SPRING CLIP,3-WAY SOLENOID VALVE,11.6-12.2mm, MEDIUM



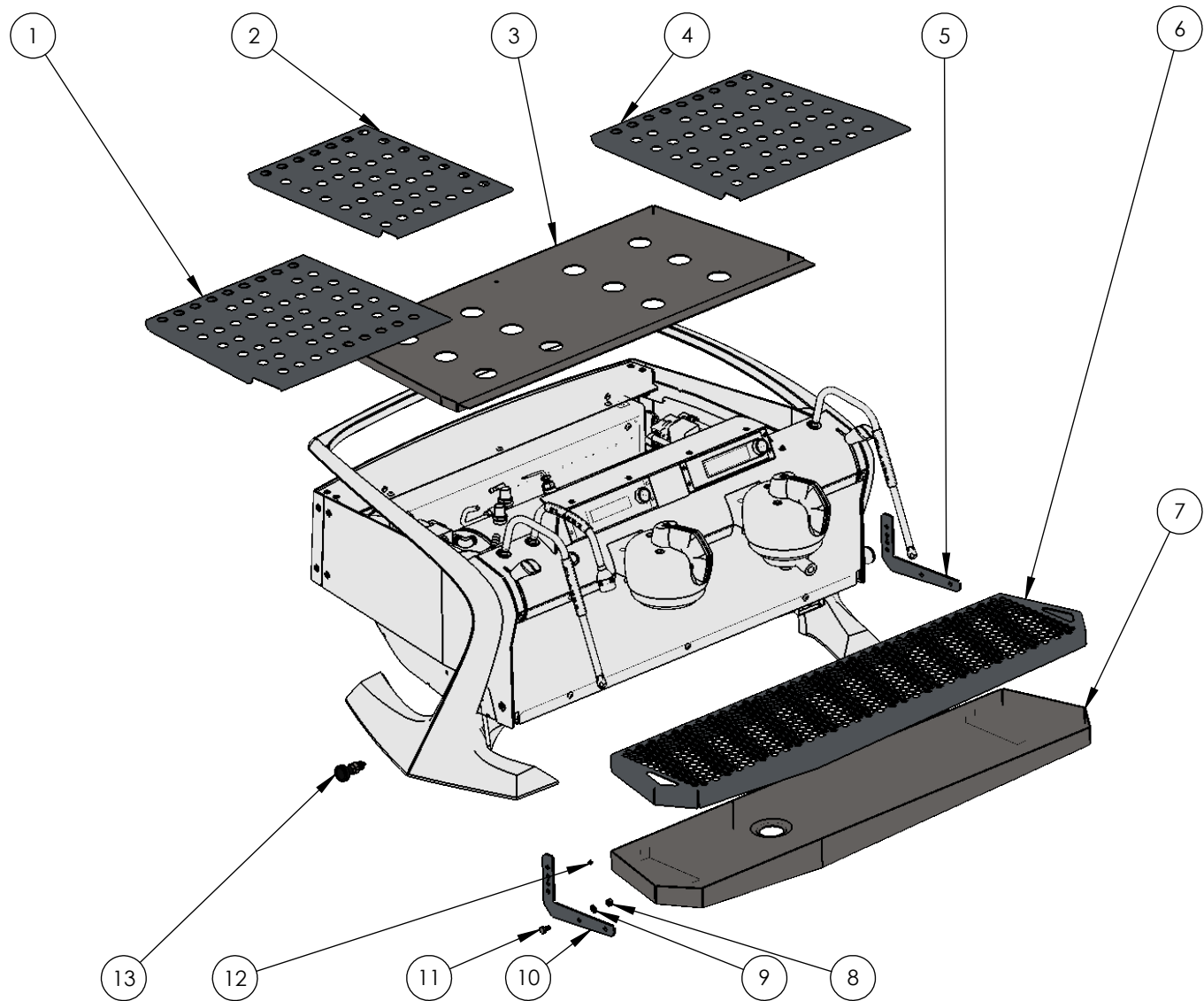
ITEM NO.	PART NUMBER	DESCRIPTION
1	30000-20470	HARNES, MOTOR, 2/3 GROUP,UL
	30000-20446	HARNES, MOTOR, 2/3 GROUP,CE
2	30000-58020	PUMP MOTOR
3	44000-58010	V BAND CLAMP
4	42000-10050	TEE FITTING, M-F-M, 3/8" BSPT MALE, 3/8" BSPP FEMALE
5	40005-10010	STAINLESS STEEL HOSE, 3/8" FC X CFC 2000mm
6	42000-10030	TEE FITTING, 3/8 BSPP M/M/M
	42000-10030-NG	
7	46000-50130	GASKET, COPPER, FLAT, 22 X 17 X 1.5mm
8	42000-10060	REDUCER, 3/8 MIP X 1/8 FIP
	42000-10060-NG	
9	46000-50360	PRESSURE GAUGE, ORIFICE, 16BAR
10	30000-58030	PUMP, 45 GPH



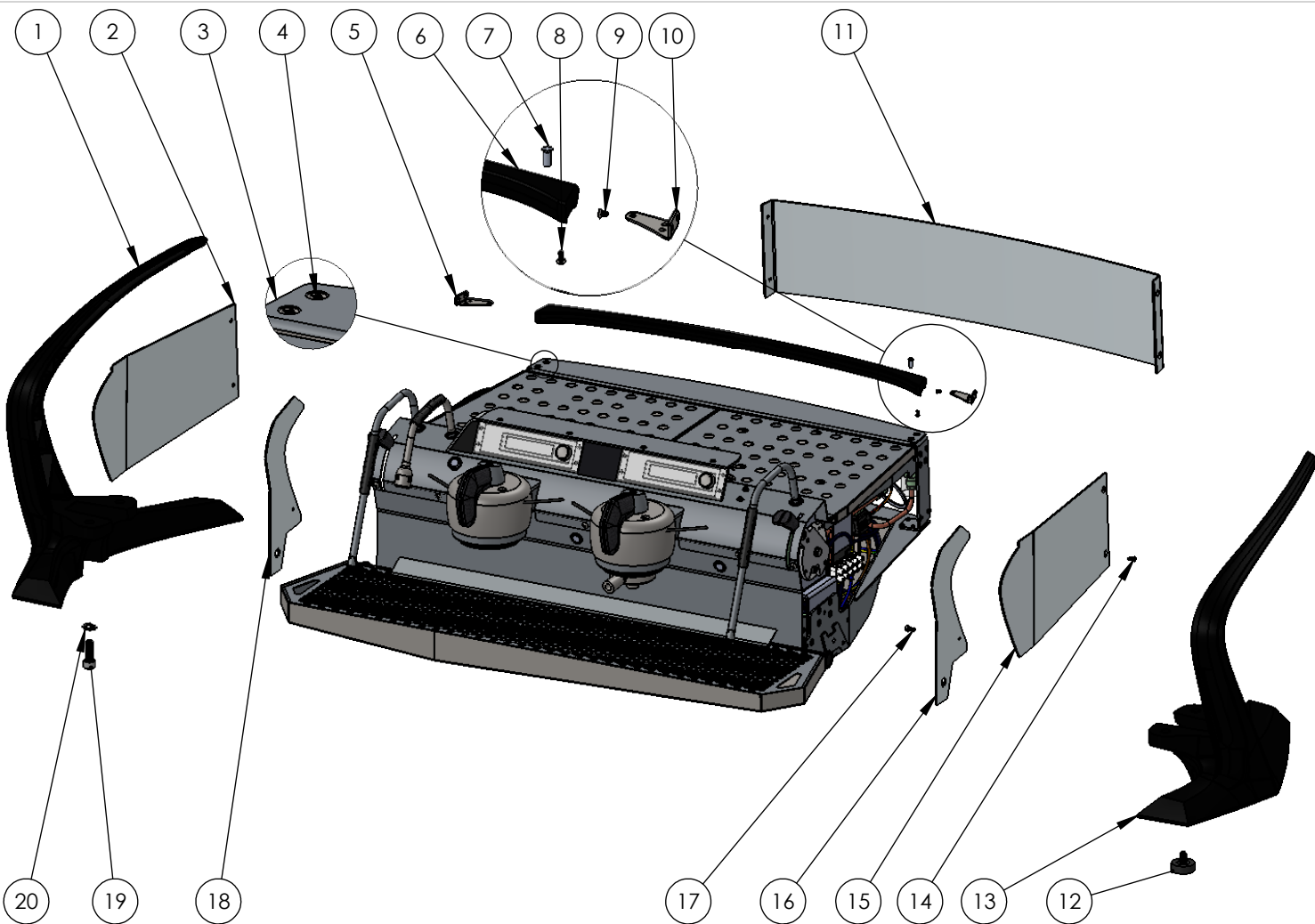
ITEM NO.	PART NUMBER	DESCRIPTION
1	30005-20270	2 POLE ROCKER BREAKER SWITCH
2	30000-20230	BREAKER, 30A, 2 POLES
	30000-20240	BREAKER, 40A, 2 POLES (3 GROUP, SINGLE PHASE ONLY)
3	30005-20011	SOLID STATE RELAY, 20A, 24VDC
4	13005-20027	ELECTRICAL SHIELD ASSEMBLY, STEAM, 2 GROUP
	13005-30027	ELECTRICAL SHIELD ASSEMBLY, STEAM, 3 GROUP
5	44005-10080	SCREW, TRUSS HD, EW, M4-0.7X8MM, PHILILPS, 18-8 SS
6	44005-10370	SCREW, M4-0.7X16.0, PHMS, PHILLIPS, 18-8
7	30005-10080	MAIN BRAIN, SLAYER STEAM
8	30000-20050	RELAY, SOLID STATE, 40A
9	44005-10390	SCREW, M3-0.5X8.0, PHMS, PHILLIPS, 18-8
10	30000-20004	POWER SUPPLY, 350W, MW, UHP
11	44005-10250	PHMS, M4-0.7X12MM, PHILLIPS, 316 SS
12	10005-20020	SUB PLATE, STEAM
13	44005-10450	SCREW, M3-0.5X10, PHMS, PHILLIPS, 18-8
*	30015-10041	TRANSDUCER CABLE, RAST CONNECTOR (NOT SHOWN)



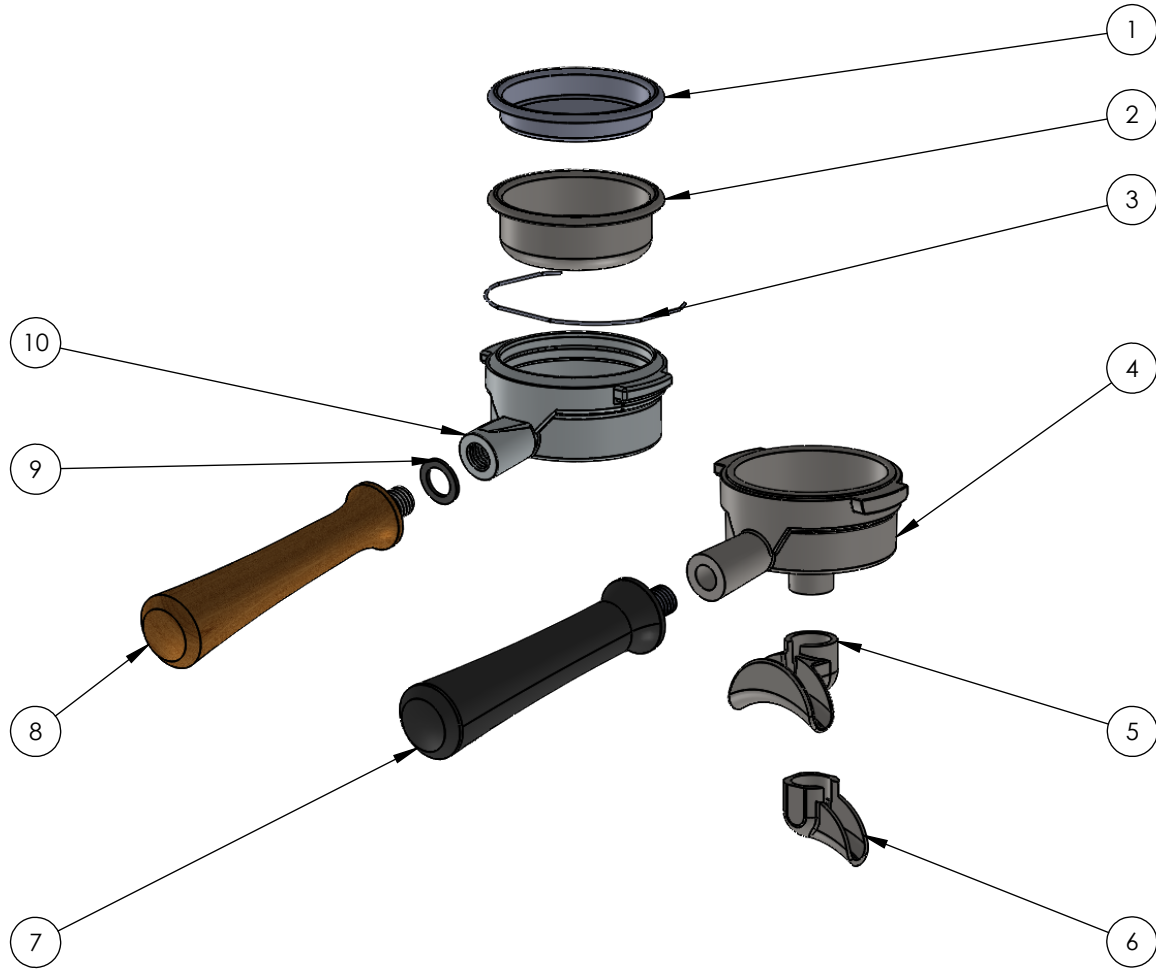
ITEM NO.	PART NUMBER	DESCRIPTION
1	44005-10220	SHSS,M3-0.5X8MM,FLAT POINT,316 SS
2	10005-03010	ENCODER KNOB, STEAM
3	26005-10000	DISPLAY GLASS
4	30005-03010	OPTICAL ENCODER
5	46005-21010	VHB ON BACKING BOARD FOR DISPLAY SCREEN
6	30005-60110	OLED DISPLAY ASSEMBLY, SLAYER STEAM
7	44005-10470	SCREW,SELF-TAP,RNDHD,#6 X 1/4, SS
8	13005-20026	FRONT PANEL, UPPER, STEAM, 2 GROUP
	13005-30026	FRONT PANEL, UPPER, STEAM, 3 GROUP
9	30005-10120	DISPLAY INTERFACE CABLE, 200mm
10	30005-10110	DISPLAY JUMPER CABLE, 400mm
11	44005-10160	FHMS,M4-0.7X6MM,PHILLIPS,18-8 SS
12	10005-10200	SHOT LIGHT HOUSING
13	13015-10010	FRONT PANEL, LOWER, STEAM LP, 2 GROUP
	13015-10020	FRONT PANEL, LOWER, STEAM LP, 3 GROUP
14	10005-03080	BUTTON RING, LOWER
15	30005-20341	MOMENTARY PUSH BUTTON, HOT WATER, WIRED
16	44005-10080	SCREW,TRUSS HD,EW,M4-0.7X8MM,PHILILPS,18-8 SS
17	10005-03070	BUTTON RING, UPPER
18	13005-20053	DISPLAY COVER, LOWER PANEL, STEAM, 2 GROUP
	13005-30053	DISPLAY COVER, LOWER PANEL, STEAM, 3 GROUP
19	13005-20052	DISPLAY COVER, UPPER PANEL, STEAM, 2 GROUP
	13005-30052	DISPLAY COVER, UPPER PANEL, STEAM, 3 GROUP
20	44005-10212	#8 X 3/8 PHIL FLAT T/S S/S UNDERCUT



ITEM NO.	PART NUMBER	DESCRIPTION
1	13005-30034	CUP TRAY COVER, LEFT, STEAM
2	13005-30035	CUP TRAY COVER, CENTER, STEAM
3	13005-20029	CUP TRAY, STEAM, 2GP
	13005-30029	CUP TRAY, LOWER, STEAM, 3GP
4	13005-30033	CUP TRAY COVER, RIGHT, STEAM
5	13005-30039	DRIP TRAY, ADJ. RAIL, RIGHT
6	13005-20038	DRIP TRAY COVER, STEAM, 2GP
	13005-30038	DRIP TRAY COVER, STEAM, 3G
7	13005-20037	DRIP TRAY ASSY, STAMPED, STEAM, 2G
	13005-30230	DRIP TRAY ASSY, STAMPED, STEAM, 3G
8	44005-10050	HEX NUT, M6-1.0,18-8 SS
9	44000-36110	LOCK WASHER, TANK MOUNT
10	13005-30040	DRIP TRAY ADJ. RAIL, LEFT
11	44005-10030	HHCS,M6-1.0X12MM,18-8 SS
12	44005-10410	SHCS,6-32X0.13,18-8 SS
13	44005-50080	SPRING PIN



ITEM NO.	PART NUMBER	DESCRIPTION
1	20215-11000-44	WING SUPPORT, LEFT, STEAM - INK BLACK
	20205-11000	WING SUPPORT, LEFT, CHROME P/P
2	13025-30016	SIDE PANEL,LEFT REAR, STEAM, MIRROR SS
	13005-30016-## *	SIDE PANEL, LEFT, REAR, POWDER COAT * CONSULT FACTORY FOR COLOR CODES
3	13005-20013	REAR SUPPORT, STEAM, 2GP
	13005-30013	REAR SUPPORT, STEAM, 3 GP
4	44005-10120	FHMS,M5-0.8X8MM,PHILLIPS,18-8 SS
5	13005-20048	CUP TRAY RAIL CLIP, LEFT, STEAM, 2 GROUP
	13005-30048	CUP TRAY RAIL CLIP, LEFT, STEAM, 3 GROUP
6	10015-20015-44	CUP RAIL, STEAM LP, 2 GROUP, INK BLACK
	10005-20015	CUP RAIL, DURATEX, 2 GROUP
	10015-20020	CUP RAIL, SAPELE, 2 GROUP
	10015-30015-44	CUP RAIL, STEAM LP, 3 GROUP, INK BLACK
	10005-10015	CUP RAIL, DURATEX, 3 GROUP
	10015-30020	CUP RAIL, SAPELE, 3 GROUP
7	10005-03020	NUT, CUP RAIL, STEAM (DURATEX STYLE ONLY)
8	44005-10017	SCREW,TRUSS HD,EW,M3-0.5X8MM,PHILLIPS, 18-8 SS
9	44005-10160	FHMS,M4-0.7X6MM,PHILLIPS,18-8 SS
10	13005-20047	CUP TRAY RAIL CLIP, RIGHT, STEAM, 2 GROUP
	13005-30047	CUP TRAY RAIL CLIP, RIGHT, STEAM, 3 GROUP
11	13025-20090	BACK PANEL, STEAM, 2GP
	13005-20090-## *	BACK PANEL, STEAM, 2GP, POWDERCOAT *CONSULT FACTORY FOR COLOR CODES
	13025-30090	BACK PANEL, STEAM., 3GP
	13005-30090-## *	BACK PANEL, STEAM, 3GP, POWDERCOAT *CONSULT FACTORY FOR COLOR CODES
12	46005-50180	RUBBER FOOT, SLAYER STEAM
13	20215-10000-44	WING SUPPORT, RIGHT, STEAM - INK BLACK
	20205-10000	WING SUPPORT, RIGHT, CHROME P/P
14	44000-36064	FHMS,M5-0.8X10MM,PHILLIPS,18-8 SS
15	13025-30015	SIDE PANEL, RIGHT REAR, STEAM, MIRROR SS
	13005-30015-## *	SIDE PANEL, RIGHT REAR, STEAM . POWDERCOAT *CONSULT FACTORY FOR COLOR CODES
16	13025-30044	SIDE PANEL,FRONT, STEAM, RIGHT, MIRROR SS
	13005-30044-## *	SIDE PANEL, FRONT, STEAM, POWDERCOAT *CONSULT FACTORY FOR COLOR CODES
17	44005-10100	SHCS,M5-0.8X10MM,18-8 SS
18	13025-30054	SIDE PANEL, FRONT, STEAM, LEFT, MIRROR SS
	13005-30044-## *	SIDE PANEL, FRONT, STEAM, POWDERCOAT *CONSULT FACTORY FOR COLOR CODES
19	44005-10110	SHCS,M12-1.75X30MM,18-8 SS
20	44005-10043	SLW,M12,18-8 SS (NOT SHOWN)
21	24005-10010	SLAYER DECAL,URETHANE DOME,V-344 ADHESIVE



ITEM NO.	PART NUMBER	DESCRIPTION
1	46000-56100	PORTAFILTER, BLIND
2	46000-56552	DOUBLE BASKET, STEAM
	46000-56551	SINGLE BASKET, RIDGELESS
	46000-56063	TRIPLE PORTAFILTER BASKET, ESPRESSO, STEAM
3	46000-56160	PORTAFILTER LOCKING SPRING, 1.20 mm, STAINLESS
4	46000-56120	SPOUTED PORTAFILTER BODY ONLY
5	46000-56130	DOUBLE SPOUT
6	46000-56131	SINGLE SPOUT
7	24015-10011	PORTAFILTER HANDLE, OVERMOLDED RUBBER, LOGO
8	22005-56040	PORTAFILTER HANDLE, WOOD, SLAYER STEAM, FINISHED
9	46000-56030	WOOD PORTAFILTER GASKET
10	46000-56041	PORTAFILTER BODY, NAKED, METAL ONLY



support@slayerespresso.com (206) 284-7171

PARTS MANUAL - STEAM LP

PORTAFILTERS

DOC NO.

REVISION NO.