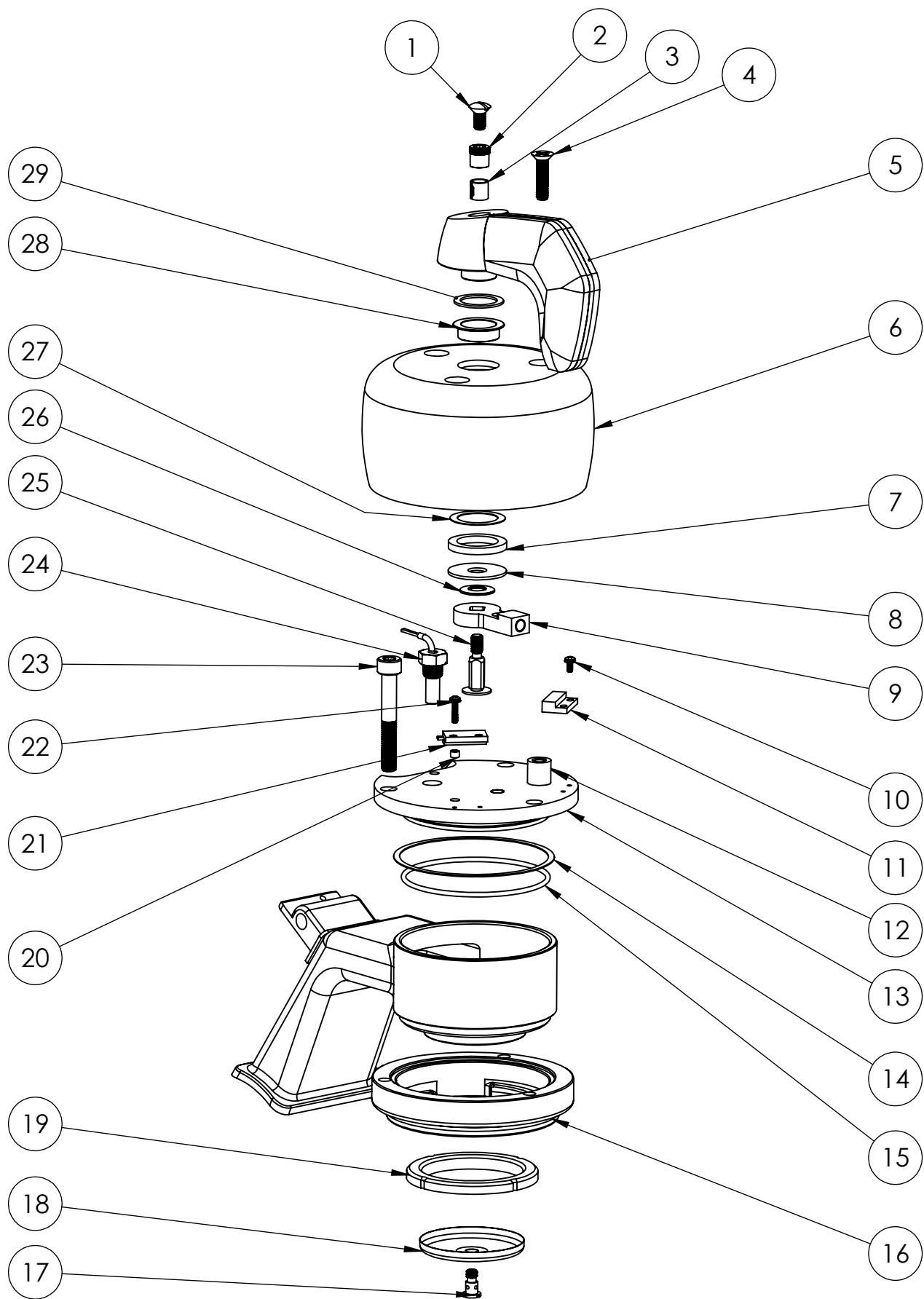


# **Steam Single**

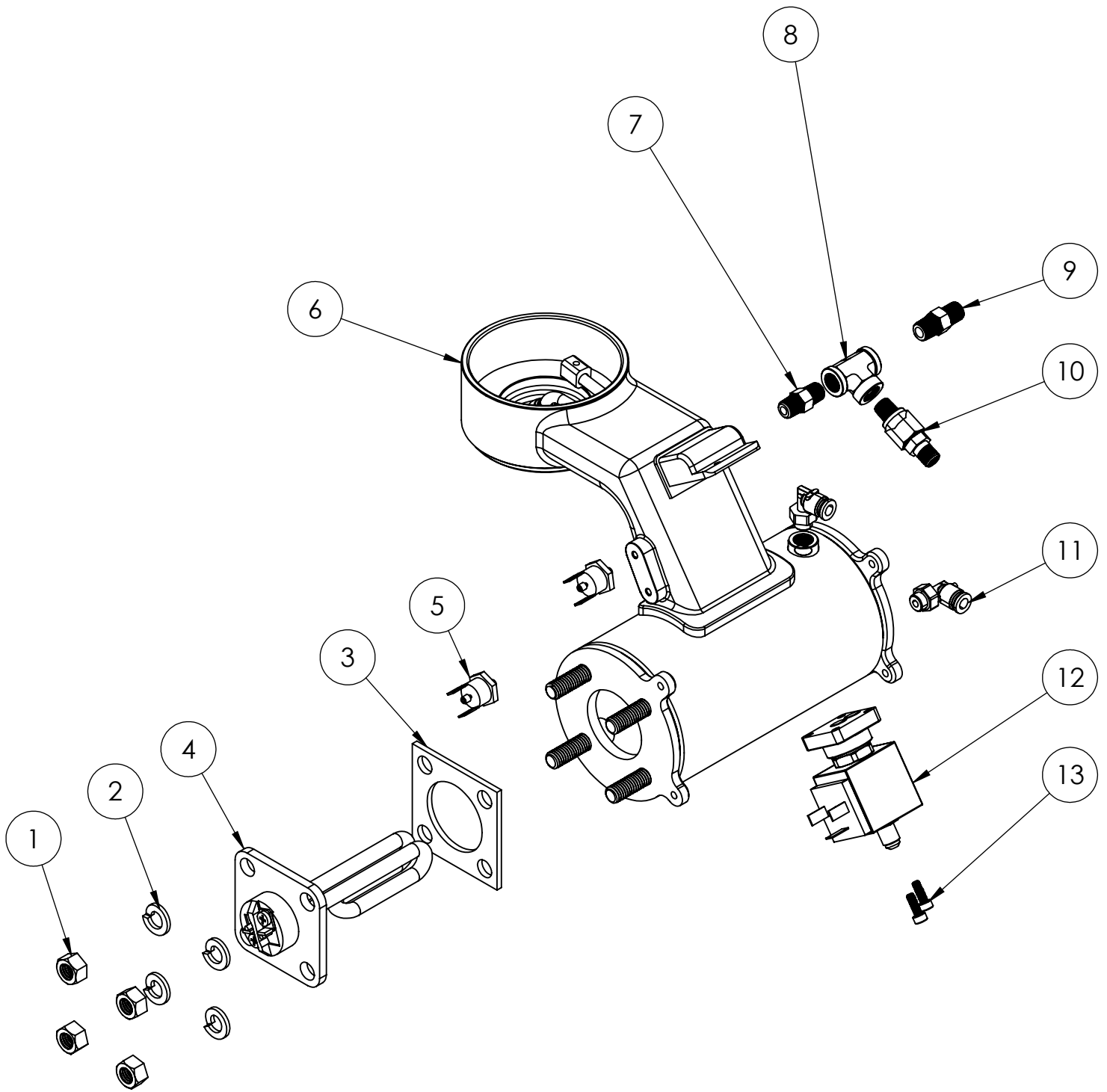
## Spare Parts Diagrams

### January 2025

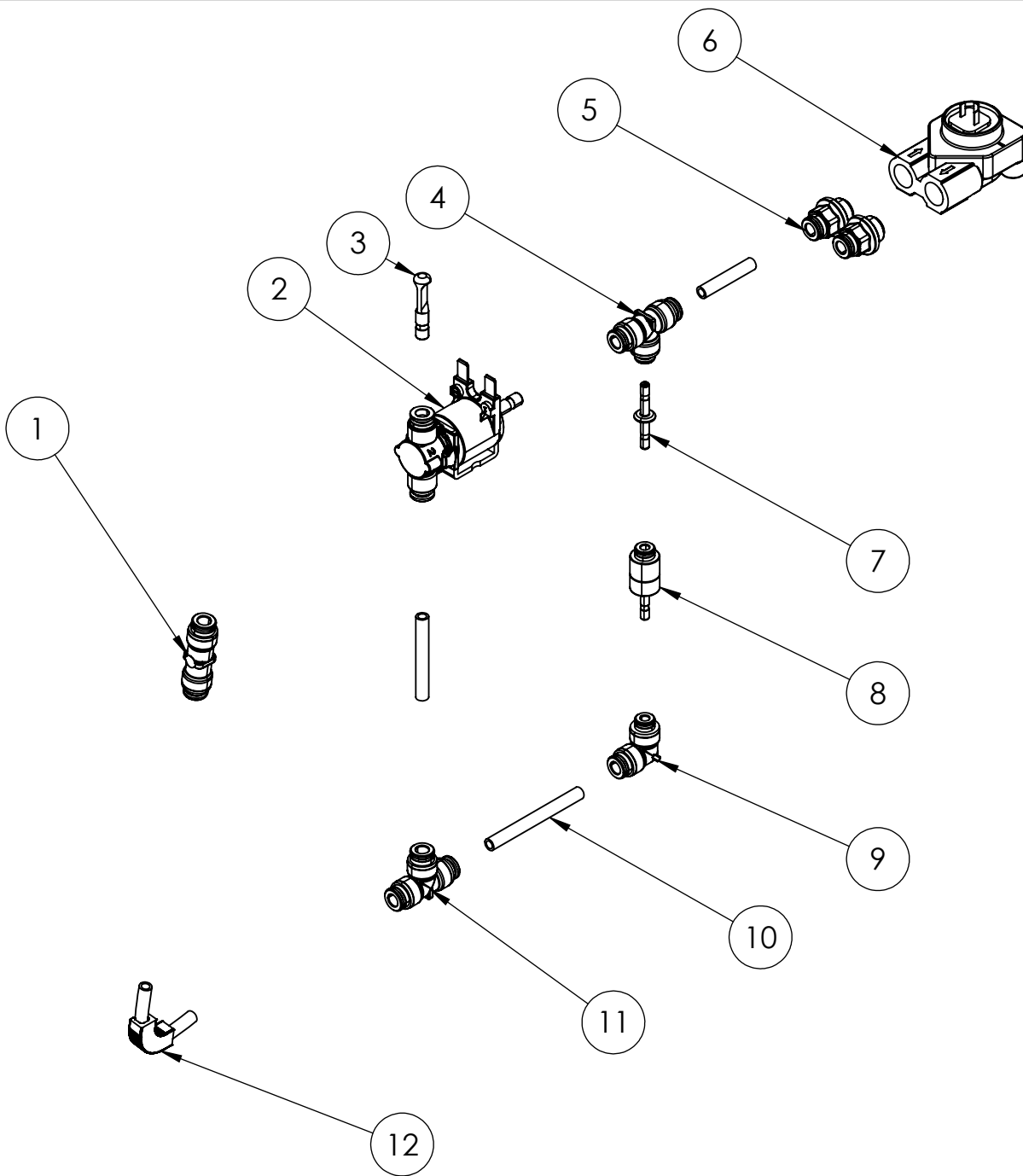




ITEM NO.	PART NUMBER	DESCRIPTION
1	44000-36152	SCREW, OVAL HD, 1/4-20X0.50, SLOTTED, 18-8 SS
2	44000-50210	INSERT NUT FOR BREW HANDLE, STAINLESS
3	44000-50190	SPACER FOR GROUP HANDLE
4	44000-50260	GROUP COVER MOUNT SCREW
5	99015-10150	BREW ACTUATOR ASSEMBLY, ONYX DURATEX
6	20000-16080	GROUP COVER
7	10000-16210	SPACER
8	44000-16220	WASHER, FENDER, 3/8 X 1.25 X 0.05, SS
9	99003-50051	TONGUE ASSY
10	44000-36330	SCREW, RH, -ELW, 4-40X.25, SS
11	30000-20032	MAG SWITCH, N/C, PINNED
12	46000-50272	STANDOFF, NYLON, 0.5 L, .50 OD, .257 ID
13	99004-16102	BREW CAP WITH MAGNET ASSY
14	46000-50100	GROUP CAP PAPER GASKET
15	46000-50090	GROUP CAP O RING
16	20000-56010	BAYONET RING
17	46000-50080	DIFFUSER SCREW, STAINLESS
18	46000-50073	NANO COATED SHOWER SCREEN
19	46000-56091	PORTAFILTER GASKET
20	44000-36000	INVERTED MAG SWITCH SPACER
21	30000-20042	MAG SWITCH, N/O, PINNED
22	44000-36140	SCREW/WASHER FOR INVERTED MAGNET
23	44000-56000	SCREW, SOCKET HEAD CAP, M8 THREAD, 55mm LENGTH, 1.25mm PITCH, STAINLESS
24	30005-20081	THERMISTOR, STEAM - 3K3 NTC
25	10000-16162	STEM, BREW ACTUATOR, SHORT
26	46000-50240	DISC SPRING
27	44000-16080	WASHER, PAPER, GREY
28	10000-16200	OILITE BUSHING
29	46000-53070	TEFLON GASKET 27MM

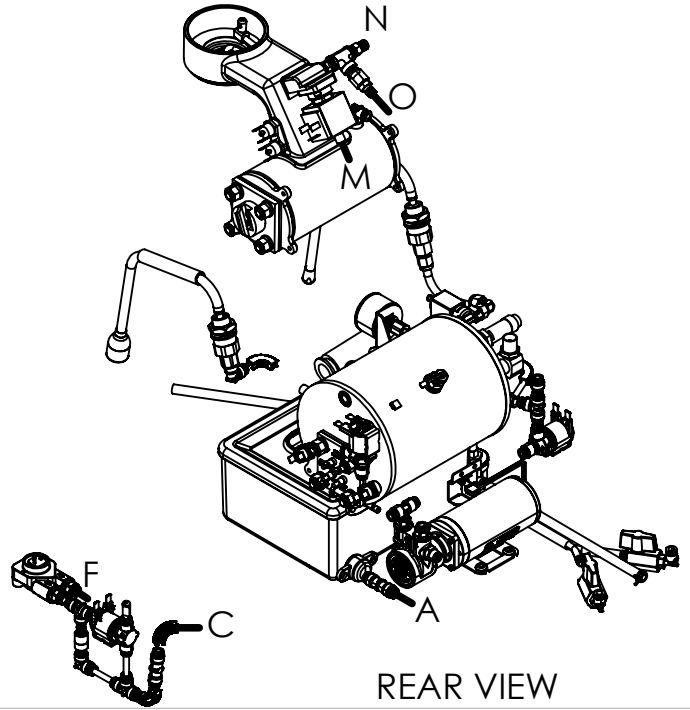
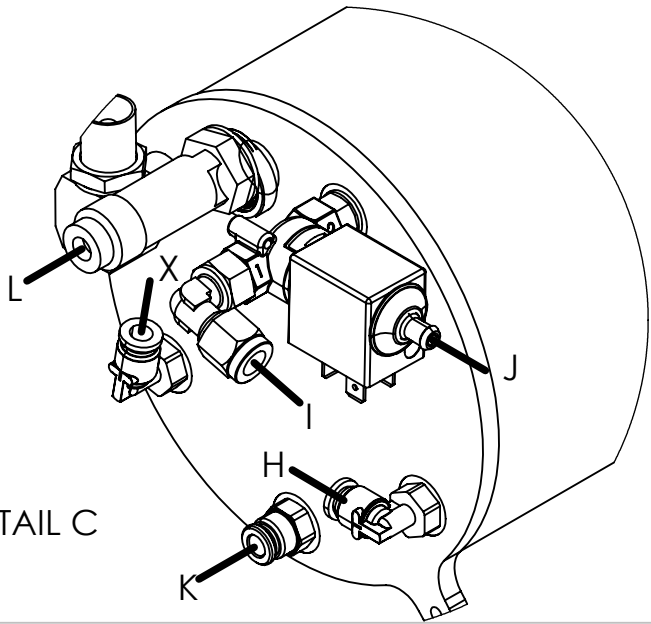


ITEM NO.	PART NUMBER	DESCRIPTION
1	44000-36080	3/8-16 NUT
2	44000-36070	3/8 LOCK WASHER
3	30000-20140	ELEMENT GASKET
4	30035-20140	900 WATT BREW TANK ELEMENT
	30035-20150	900 WATT BREW TANK ELEMENT, 120V
5	30000-20500	OVERLIMIT SWITCH, MANRST, 120C
6	15035-10040	BREW TANK
7	42000-34180-LF	HEX NIPPLE, 1/8 MNPT, BRASS, PB FREE
8	42004-34580	TEE, 1/8 NPT, FXFXF, BRASS, PB FREE
9	42035-10060	NIPPLE, G1/8 X 1/8NPT, STAINLESS STEEL
10	42000-10170	EXPANSION VALVE, 11 BAR, 1/8NPT IN X G1/8 OUT
11	532658700F	FITTING - ELBOW - 6mm QD X G1/8 M - 316L
12	30000-20153	3-WAY SOLENOID VALVE, 2mm, FORGED FLANGE, 24VDC
13	44005-10090	SHCS, M4-0.7X12MM, 18-8 SS

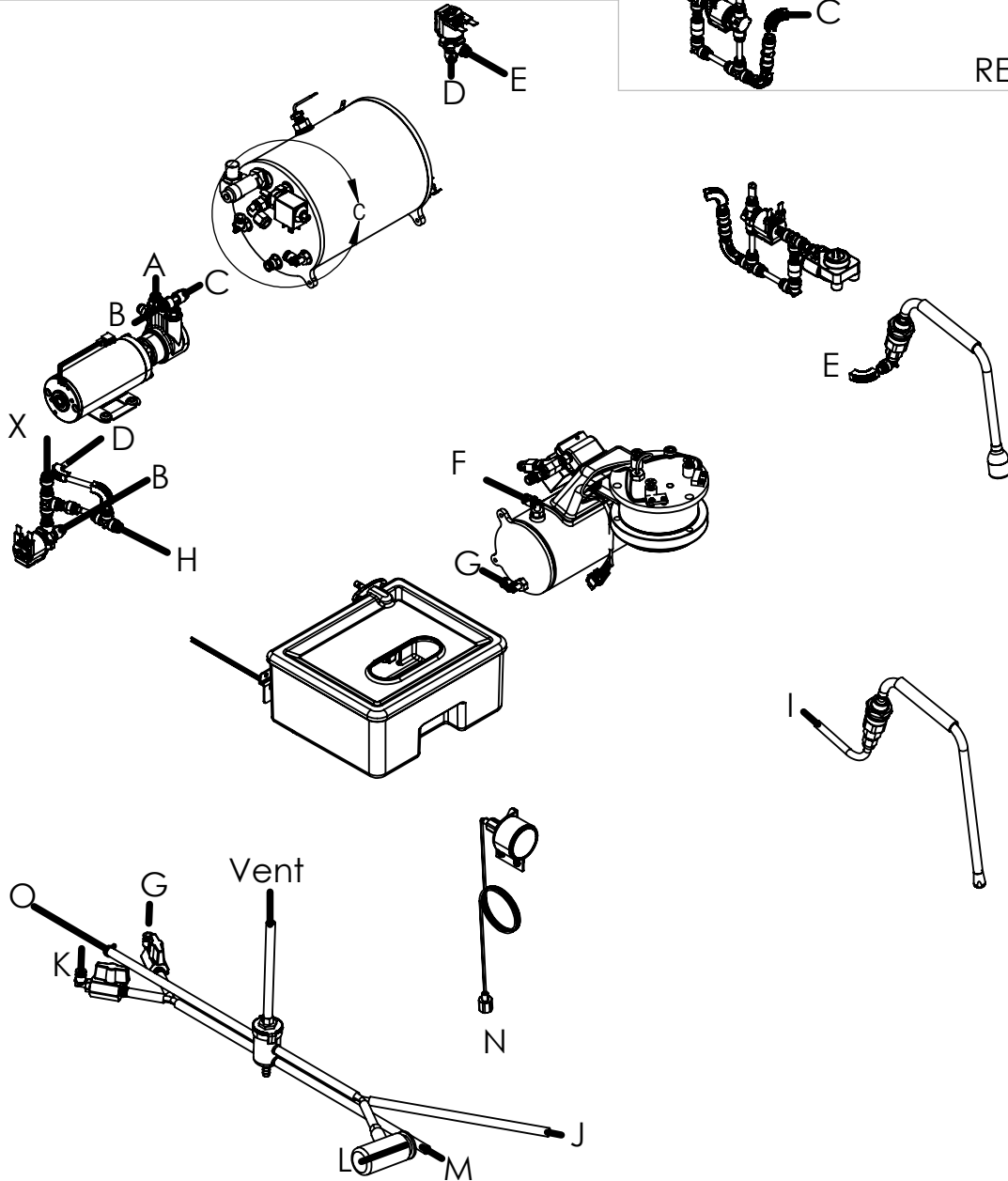


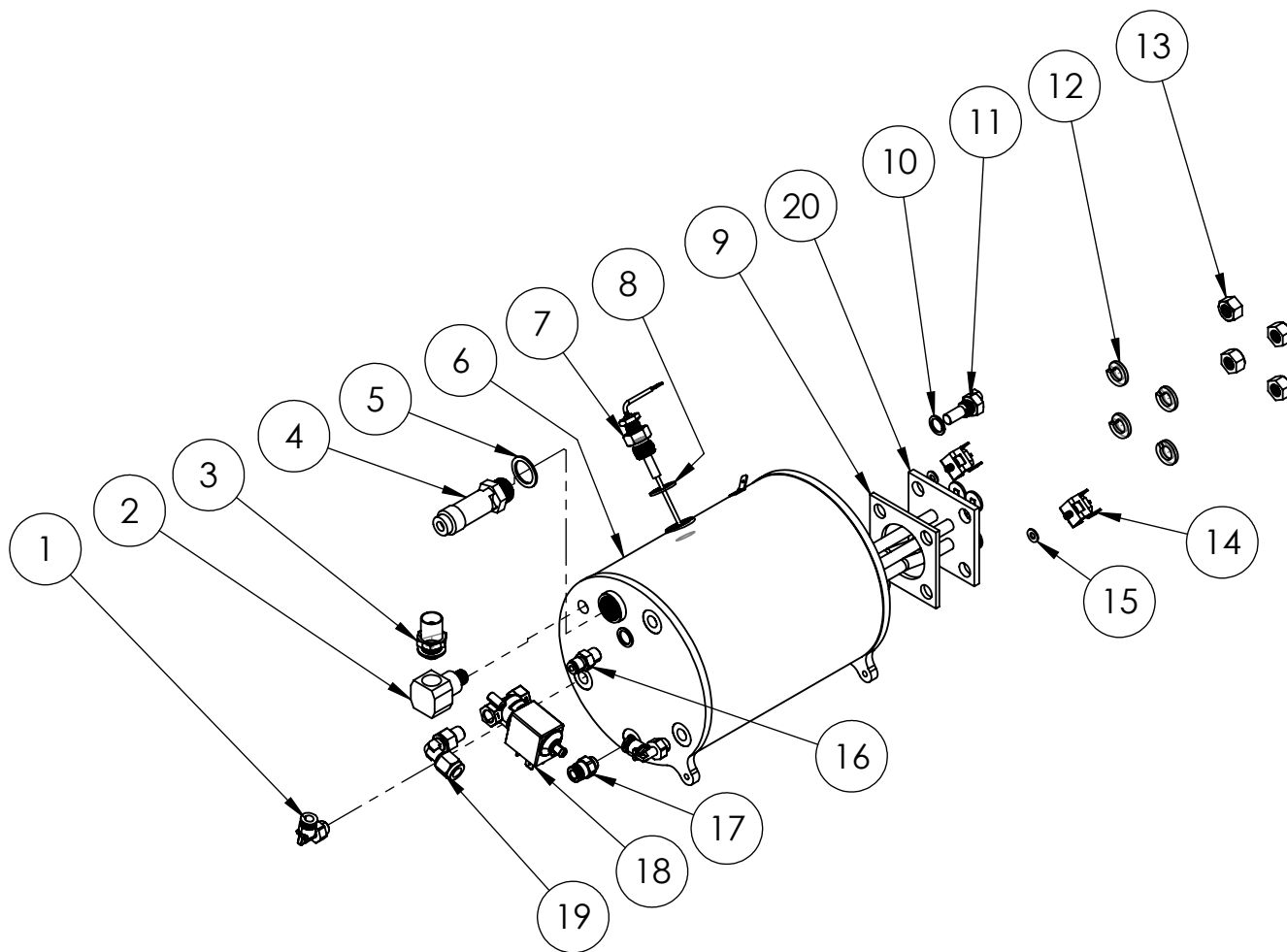
ITEM NO.	PART NUMBER	DESCRIPTION
1	532664200F	CHECK VALVE - 6mm QD F X F - PPSU
2	533906100F	3 WAY SOLENOID
3	532658400	PLUG - 6mm QD - PPSU
4	42035-10030	TEE CONNECTOR, 6 X 6 X 4 FFF
5	532655800	FITTING - ADAPTER - G1/4 M X 6mm QD
6	30005-21200	FLOW METER
7	966430000	NOZZLE DIAM. 0.35mm
8	42035-10020	IN-LINEFILTER, D4
9	42035-10010	ELBOW,6X4, QD
10	220000022	RILSAN PIPE 4X6
11	532656700	FITTING - TEE - 6mm QD F X F X F - PPSU
12	966026000	6mm TUBE BENDER

DETAIL C



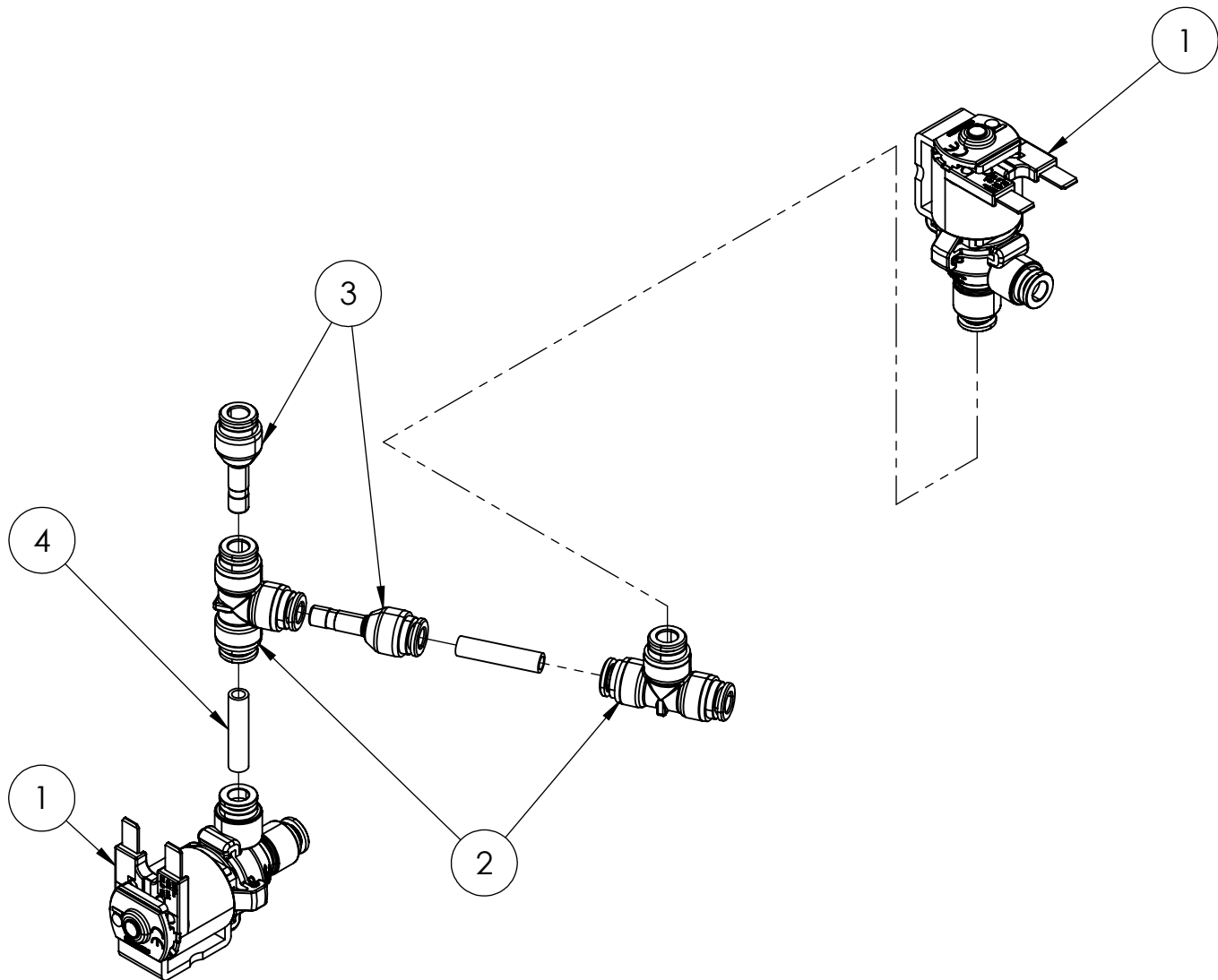
REAR VIEW



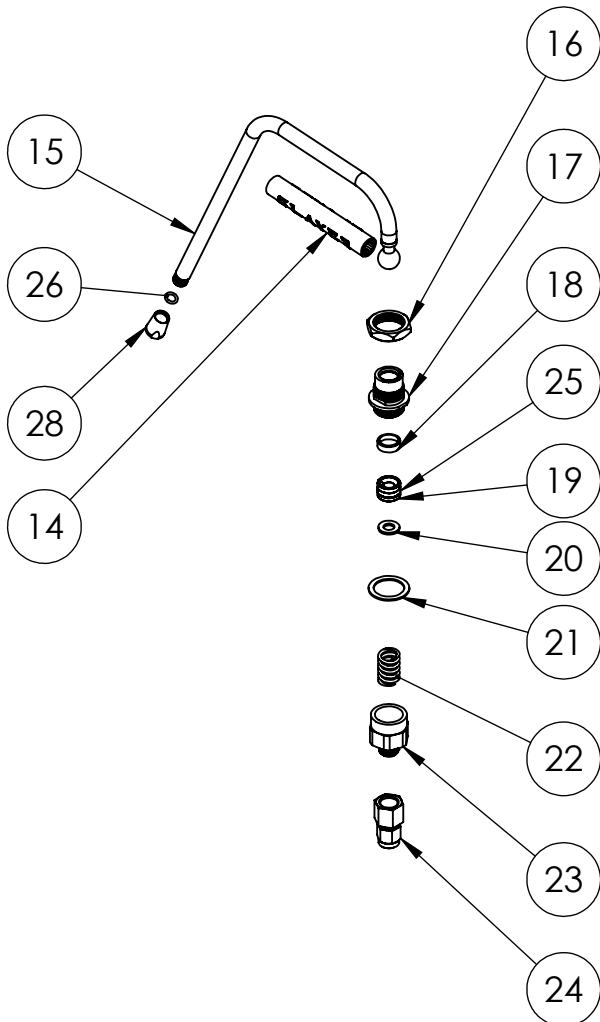
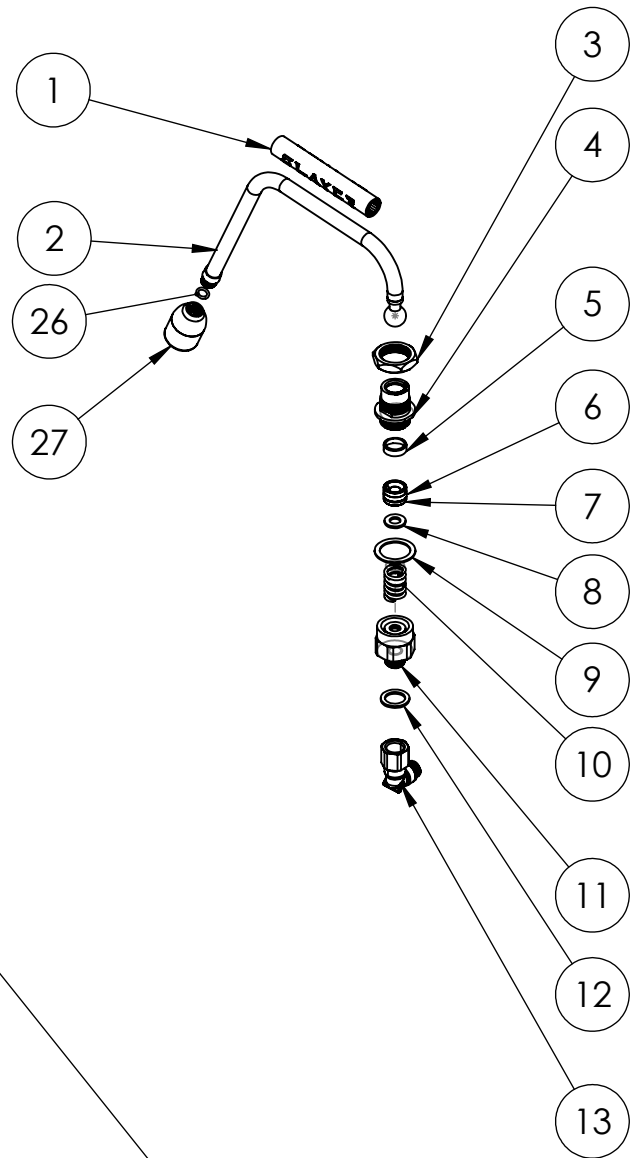


ITEM NO.	PART NUMBER	DESCRIPTION
1	532658700F	FITTING - ELBOW - 6mm QD X G1/8 M - 316L
2	42000-34800-NG	ELBOW,G1/4 X 1/4NPT,F X M,FOREXPVAL,TRTD
3	46000-50140	VALVE, ANTI-SUCTION/VACUUM, 1/4"
4	46000-50400	CB PRV, 1.9 BAR
5	46000-50130	GASKET, COPPER ,FLAT, 22X17X1.5mm
6	15035-10050	STEAM TANK
7	30000-50170	WATER LEVEL PROBE, STEAM / SINGLE GRP,103mm
8	46000-50150	GASKET , COPPER, FLAT, 19X13.5X1.5mm
9	30000-20140	ELEMENT GASKET
10	46000-50040	COPPER WASHER, G1/8
11	30005-20081	THERMISTOR, STEAM - 3K3 NTC
12	44000-36070	3/8 LOCK WASHER
13	44000-36080	3/8-16 NUT
14	30000-20261	THERMOSTAT, 25A, 145C, STEAM TANK
15	44000-10030	WSHR,FLT,#8,ALUMINUM
16	532501810R	G1/8 NIPPLE (NEED TO BE R1/8 X G1/8 NIPPLE)
17	532659900F	FITTING - ADAPTER - 6mm QD X G1/8 M - 316
18	533901410	STEAM SOLENOID
19	42035-10050	ELBOW - R1/8 X 8mm COMPRESSION - SERTO
20	30004-20180	ELEMENT, DUAL, 1400W/600W, 220VAC
	30004-20170	ELEMENT, DUAL, 800W/600W, 120VAC

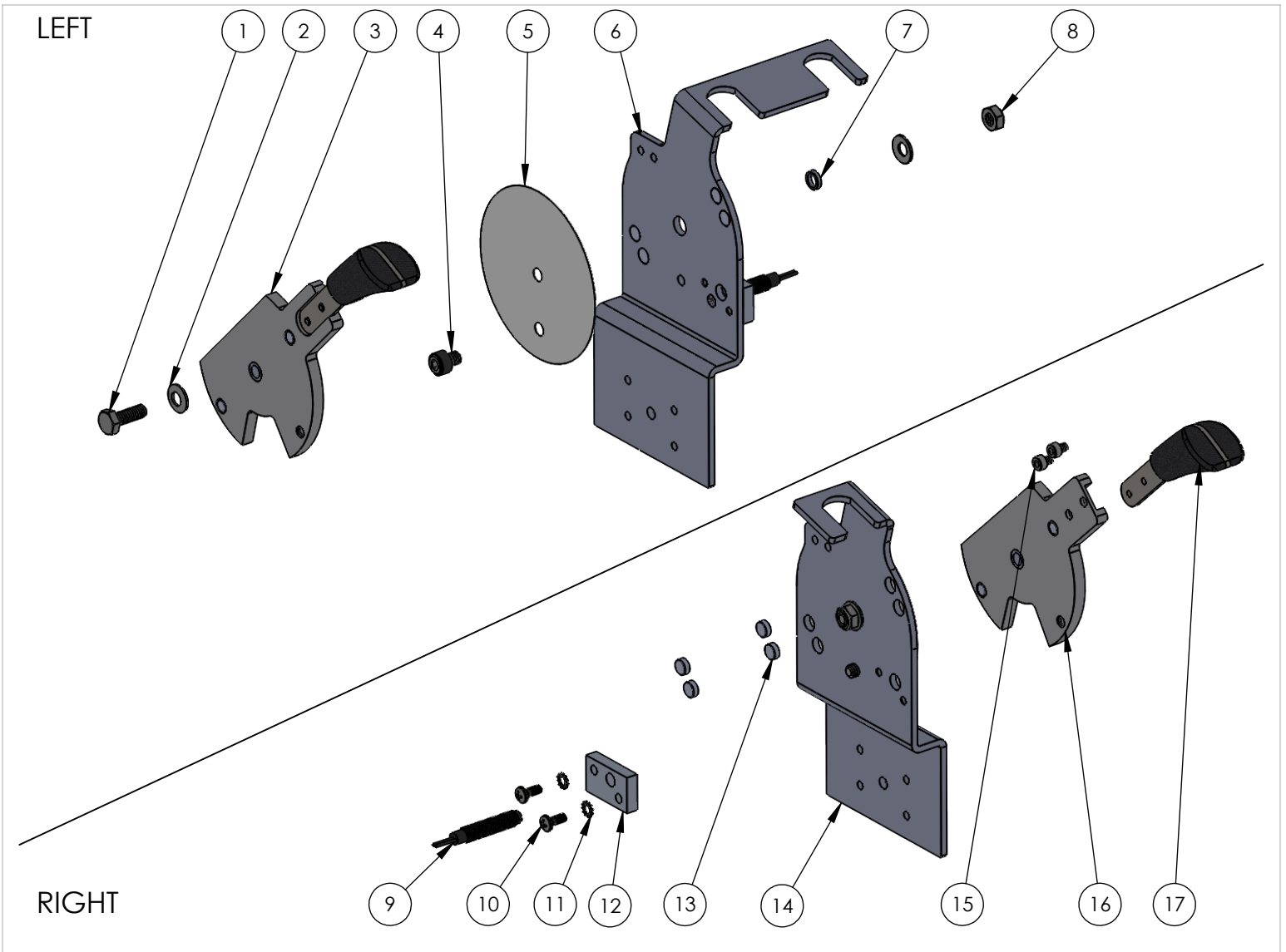




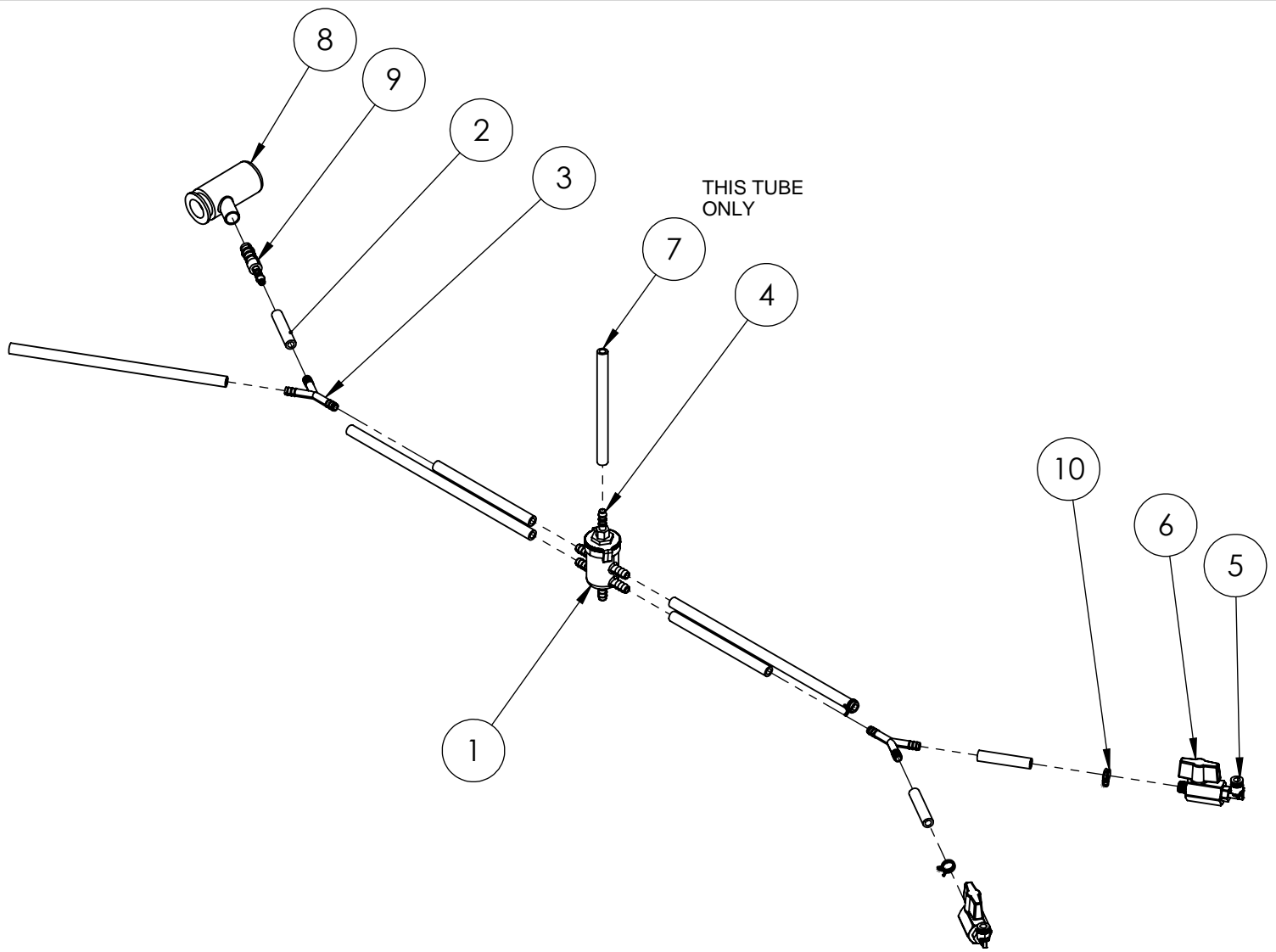
ITEM NO.	PART NUMBER	DESCRIPTION
1	533905900F	STEAM FILL SOLENOID
2	532656700	FITTING - TEE - 6mm QD F X F X F - PPSU
3	532664300F	FITTING - 0.6mm ORIFICE - 6mm QD X 6mm M - PPSU
4	220000022	RISLAN PIPE 4X6



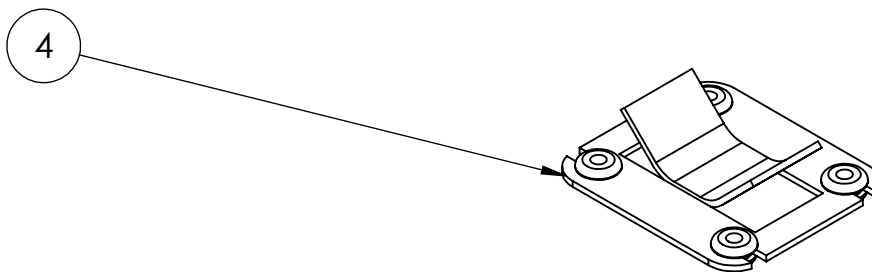
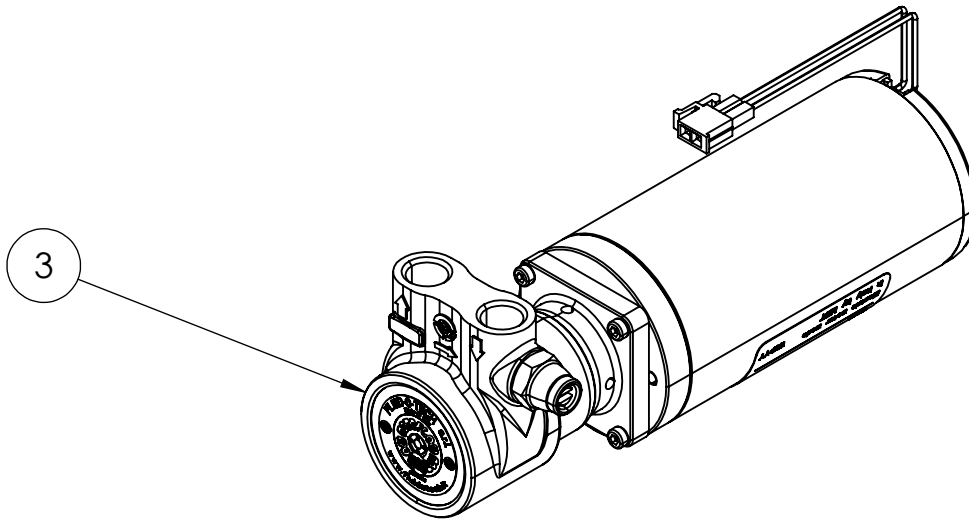
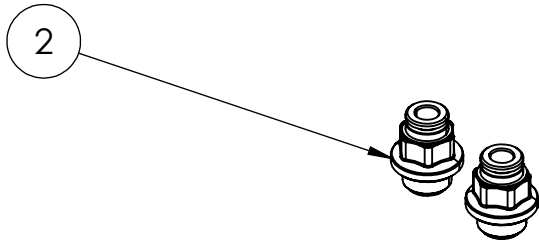
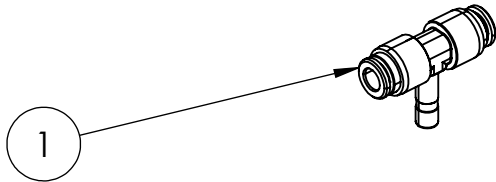
ITEM NO.	PART NUMBER	DESCRIPTION
1	46005-53170	GRIP, STEAM WAND
2	40035-50370	HOT WATER WAND, S1
3	10005-10008	STEAM AND HOT WATER LOCK NUT
4	10005-10002	STEAM, WAND SOCKET
5	46005-53110	STEAM SEAL
6	46000-53050	O-Ring for Valve Bushing
7	46005-53061	Wand Bushing
8	46000-53040	Washer, Flat, M7 Screw Size, 14mm OD, 1.4mm-1.8mm Thick
9	46000-53070	TEFLON GASKET 27MM
10	46005-53030	Articulation Spring for Steam Valve, 13x18mm
11	46005-53010-NG	Rear Block, Steam Assy, Trtd
12	46000-50150	Gasket , Copper, Flat, 19x13.5x1.5mm
13	42035-10080	Elbow 6mm QD x G1/4 F
14	46005-53170	GRIP, STEAM WAND
15	40004-50330	STEAM WAND, HOME MACHINE
16	10005-10008	STEAM AND HOT WATER LOCK NUT
17	10005-10002	STEAM, WAND SOCKET
18	46005-53110	STEAM SEAL
19	46005-53061	Wand Bushing
20	46000-53040	Washer, Flat, M7 Screw Size, 14mm OD, 1.4mm-1.8mm Thick
21	46000-53070	TEFLON GASKET 27MM
22	46000-53030	Articulation Spring for Steam Valve, 13x18mm
23	46005-53010-NG	Rear Block, Steam Assy, Trtd
24	42035-10170	G1/4(female) to 8mm compression, straight fitting - Serto
25	46000-53050	O-Ring for Valve Bushing
26	46000-50030	O RING FOR STEAM TIP, 1.5 X 6
27	46000-50350	HOT WATER SPOUT
28	46000-50343	STEAM TIP, 1.3MM, #3 (STOCK)
	46000-50340	STEAM TIP #0
	46000-50341	STEAM TIP #1
	46000-50342	STEAM TIP #2
	46000-50344	STEAM TIP #4
	46000-50345	STEAM TIP #5



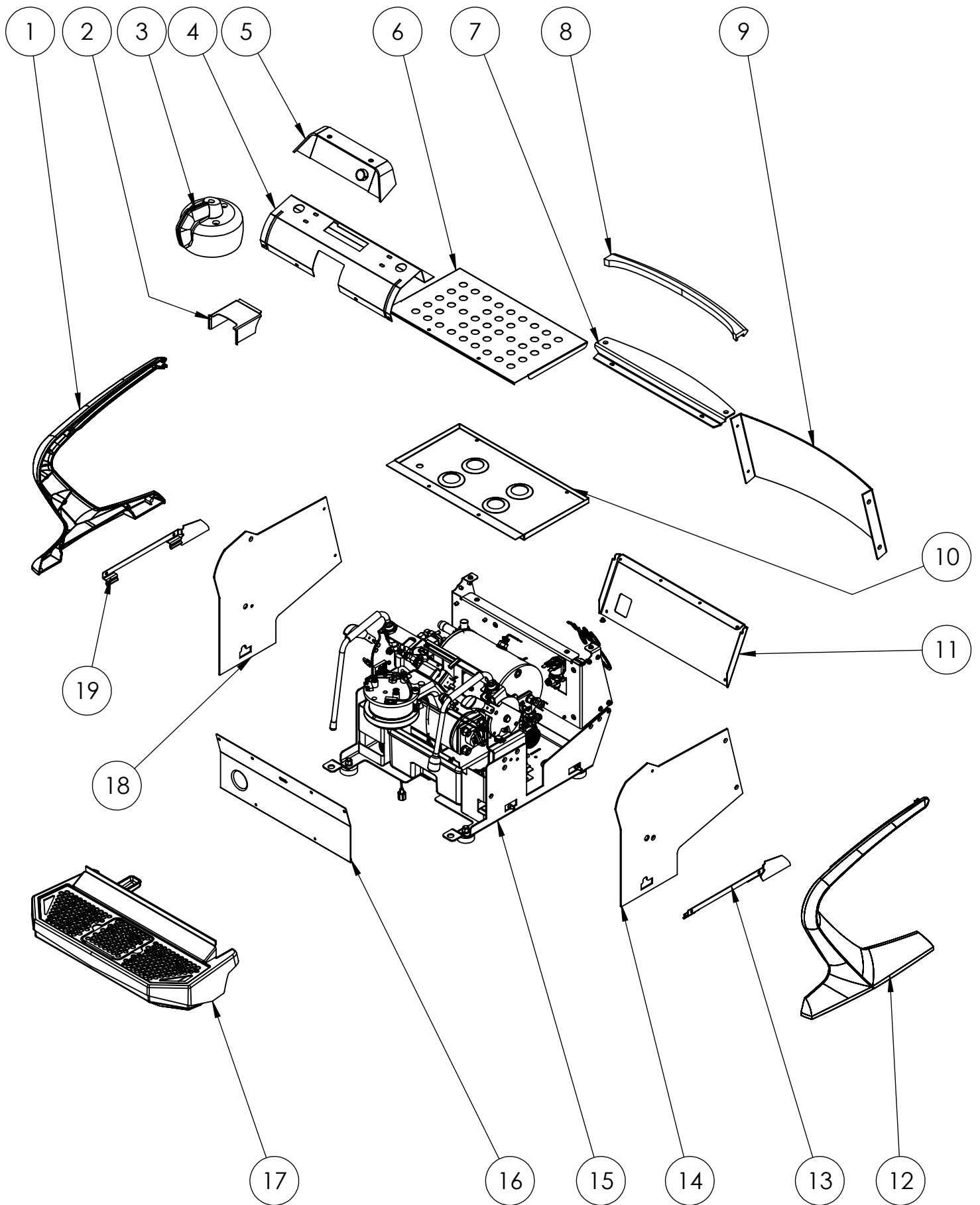
ITEM NO.	PART NUMBER	DESCRIPTION
1	44000-36102	BOLT, HEX HEAD, 1/4-20 X 3/4
2	44005-10320	PLASTIC STEAM ACTUATOR DISK SPRING
3	99015-10004	LEFT ACTUATOR HANDLE ASSEMBLY
4	44000-36260	ACTUATOR, STEAM, STOP BOLT, SHORT
5	46005-01010	TEFLON GASKET
6	13005-30045	CHASSIS BRACE LEFT FRONT, STEAM
7	10005-02010	STEAM ACTUATOR BUSHING, SMALL
8	46005-10026	18-8 STAINLESS STEEL THIN NYLON-INSERT LOCKNUT, 1/4-20
9	30005-20031	BARREL SWITCH W/ MOLEX, N/C
10	44005-10340	SCREW, PHMS, M4-0.7X10MM, PHILLIPS, 18-8 SS
11	44005-10350	18-8 EXTERNAL-TOOTH LOCK WASHER FOR M4 SCREW
12	10005-03090	MAGNETIC SWITCH MOUNT
13	46003-50061	NEODYMIUM DISC MAGNET, 5/16" DIAMETER, 1/8" THICK, 4.4LBS PULL, NICKEL
14	13005-30009	CHASSIS BRACE RIGHT FRONT, STEAM
15	44000-36310	SOLENOID MOUNT SCREW
16	99015-10003	RIGHT ACTUATOR HANDLE ASSEMBLY
17	99015-10160	STEAM ACTUATOR HANDLE ASSEMBLY, ONYX DURATEX
	99005-30036	STEAM HANDLE, DURATEX



ITEM NO.	PART NUMBER	DESCRIPTION
1	24004-10070	EXPANSION VESSEL ASSY, E1
2	40000-32190	HIGH-TEMPERATURE SILICONE RUBBER TUBING FOR AIR AND WATER
3	532302720	7MM BARBED WYE, PLASTIC
4	42004-25090	1/8 BSPT X 6mm BARB NIPPLE
5	532658700F	FITTING - ELBOW - 6mm QD X G1/8 M - 316L
6	42035-10160	BALL VALVE M X F G1/8
7	40000-32160	SILICONE RUBBER HOSE ID 6mm X OD 10mm
8	24000-10010	PRV COVER, RUBBER
9	532600700	FITTING - ADAPTER - PRV BOOT BARB
10	44000-36280	SPRING CLIP, 3-WAY SOLENOID VALVE, 11.6-12.2mm, MEDIUM
N/A	30000-50000	CABLE TIE, 4IN, BLACK, HIGH TEMP

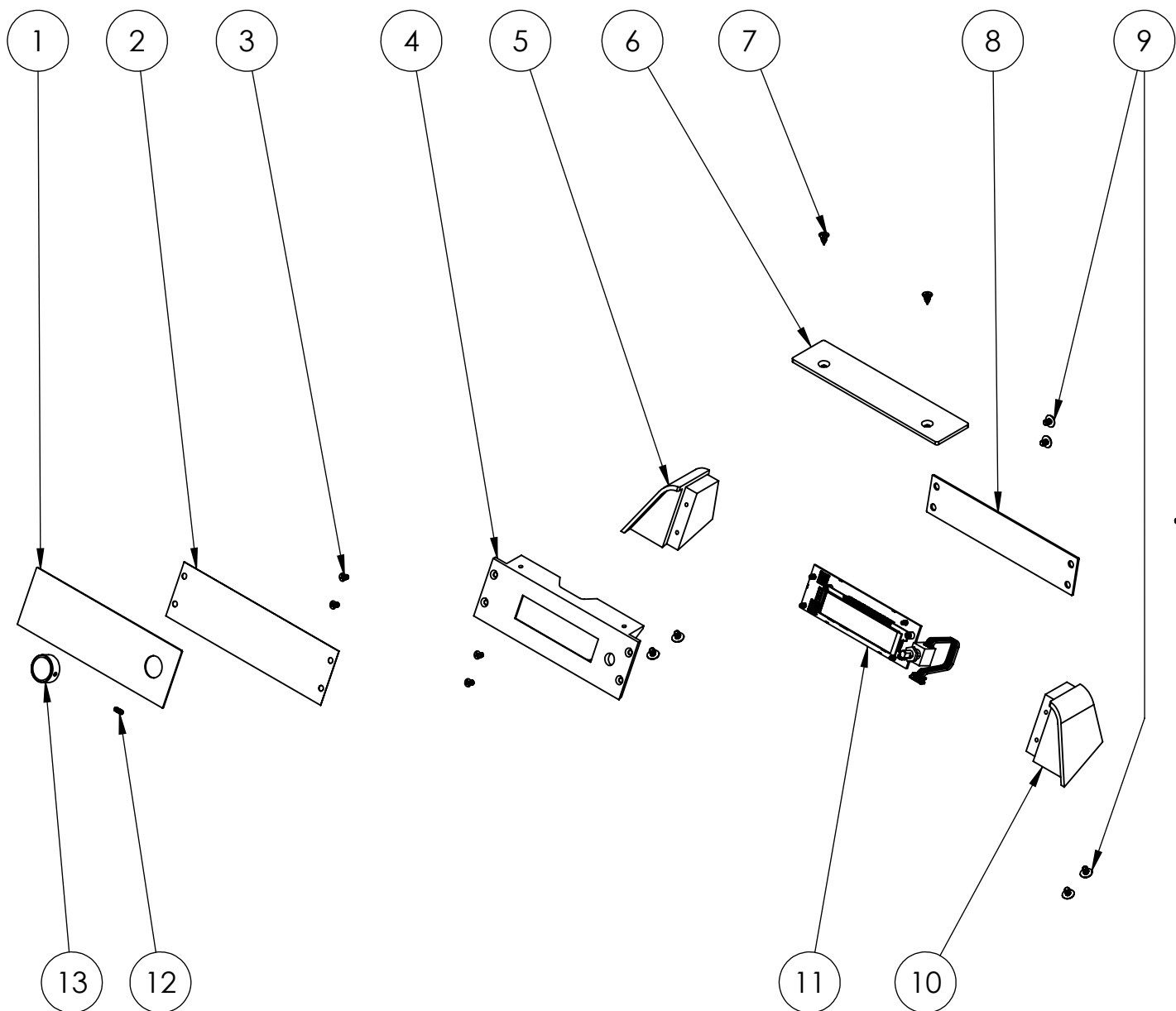


ITEM NO.	PART NUMBER	DESCRIPTION
1	532661800F	FITTING - TEE - 6mm QD F X M X F - PPSU
2	532655800	FITTING - ADAPTER - G1/4 M X 6mm QD
3	30004-10170	1G ROTARY PUMP 24VDC
4	13004-10190	MOTOR BRACKET D56



ITEM NO.	PART NUMBER	DESCRIPTION
1	20035-10510	WING LEFT
2	13003-16040	GROUP NECK COVER, SLAYER ESPRESSO & STEAM, 2/3 GROUP
3	99015-10180	PADDLE, ACTUATOR, RIGHT HAND, STEAM, ONYX
4	13035-10200	FRONT UPPER PANEL
5	99035-00030	DISPLAY END, LH
6	13035-10220	CUP TRAY COVER
7	13035-10210	REAR SUPPORT
8	10035-10001	CUP RAIL
9	13035-10240	BACK PANEL
10	13035-10280	CUP TRAY LINER
11	13035-10270	BACK PANEL, LOWER
12	20035-10500	WING RIGHT
13	13035-10290	WING CLEAT RIGHT
14	13035-10250	SIDE PANEL,S1,R
15	13035-10001	CHASSIS BASE
16	13035-10310	FRONT LOWER PANEL
17	99035-00010	DRIPTRAYASSEMBLY, S1
18	13035-10260	SIDE PANEL, LEFT
19	13035-10300	WING CLEAT LEFT





ITEM NO.	PART NUMBER	DESCRIPTION
1	26035-10010	DISPLAY GLASS
2	46005-21010	VHB ON BACKING BOARD FOR DISPLAY SCREEN
3	44005-10200	FHMS,M3.5-0.6X6MM,PHILLIPS,ZP
4	24035-10020	DISPLAY FACE PLATE
5	20005-10003	DISPLAY END, LH
6	13035-10030	DISPLAY TOP
7	44005-10212	#8 X 3/8 PHIL FLAT T/S S/S UNDERCUT
8	13035-10040	DISPLAY BACK
9	44005-10140	SCREW,TRUSS HD,EXTRA WD,M4-0.7X6MM,PHILLIPS,18-8 SS
10	20005-10000	DISPLAY END, RH
11	30008-10000	DISPLAY AND ENCODER
12	44005-10220	SHSS,M3-0.5X8MM,FLAT POINT,316 SS
13	10005-03010	ENCODER KNOB, STEAM



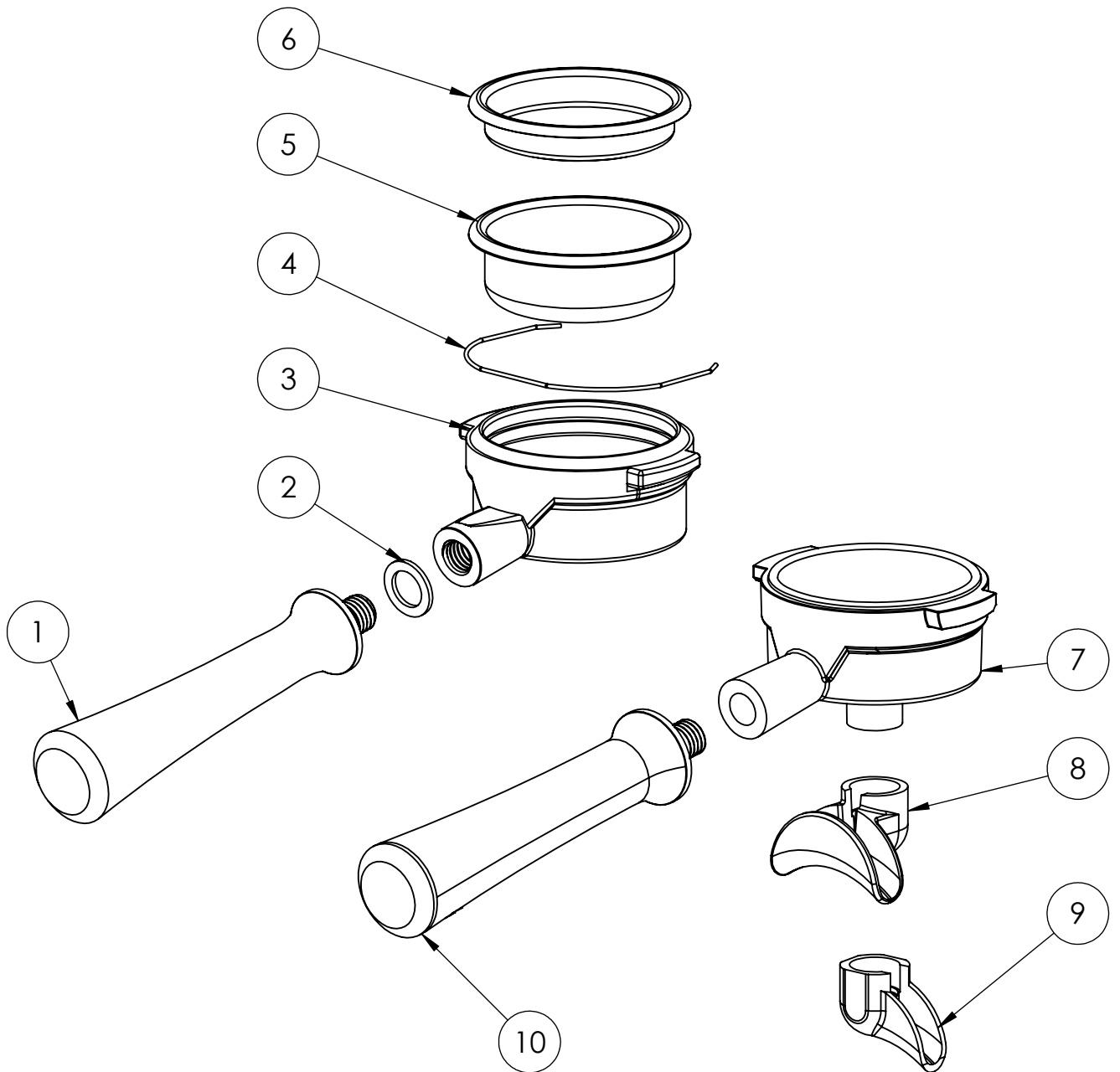
support@slayerespresso.com (206) 284-7171

### PARTS MANUAL - STEAM SINGLE

DISPLAY ASSEMBLY - STEAM 1G

DOC NO.

REVISION NO.



ITEM NO.	PART NUMBER	DESCRIPTION
1	22005-56040	PORTAFILTER HANDLE,WOOD,SLAYER STEAM, FINISHED
2	46000-56030	WOOD PORTAFILTER GASKET
3	46000-56041	PORTAFILTER BODY, NAKED, METAL ONLY
4	46000-56160	PORTAFILTER LOCKING SPRING, 1.20 mm, STAINLESS
5	46000-56552	DOUBLE BASKET, STEAM
6	46000-56100	PORTAFILTER, BLIND
7	46000-56120	SPOUTED PORTAFILTER BODY ONLY
8	46000-56130	DOUBLE SPOUT
9	46000-56131	SINGLE SPOUT
10	24015-10011	PORTAFILTER HANDLE, OVERMOLDED RUBBER,LOGO

**SLAYER**

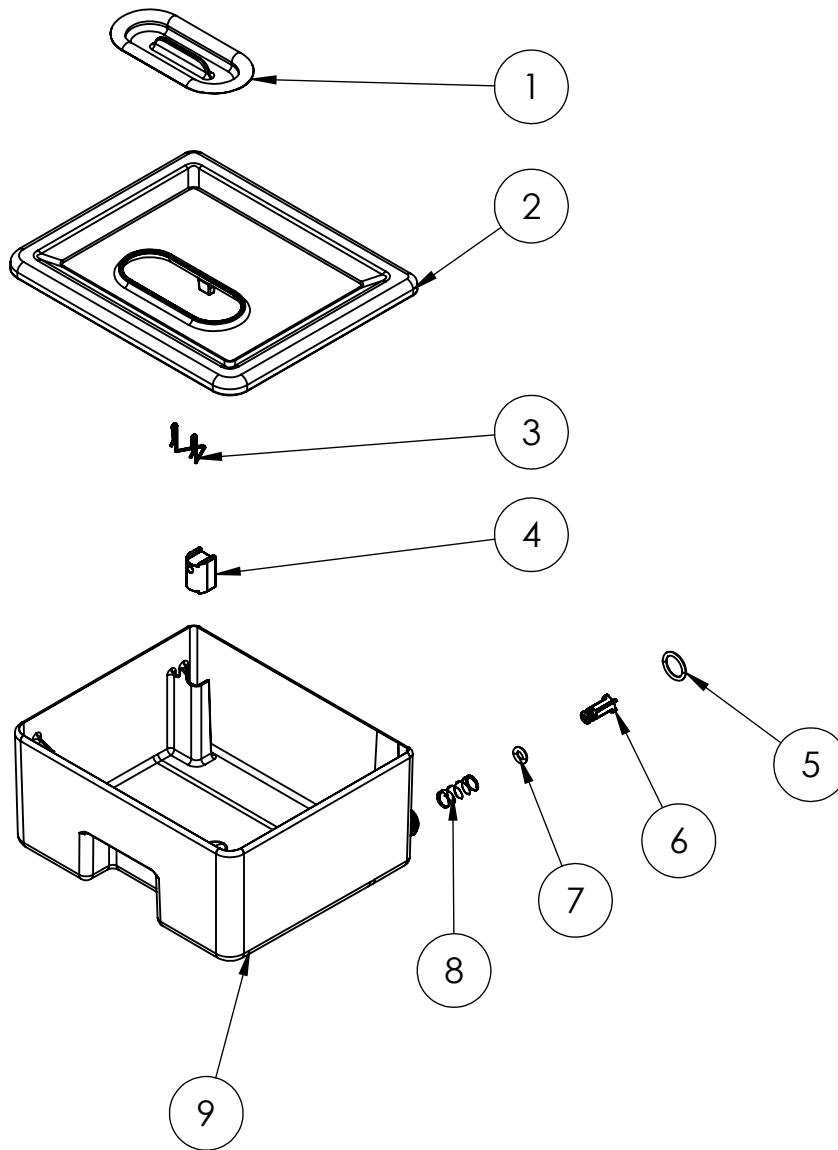
support@slayerespresso.com (206) 284-7171

**PARTS MANUAL - STEAM SINGLE**

PORTAFILTERS

DOC NO.

REVISION NO.



ITEM NO.	PART NUMBER	DESCRIPTION
1	713022000F	FILLING COVER
2	713021010F	TANK COVER
3	998044000	PIPE CONNECTOR
4	988086020	FLOAT
5	401347000	O-RING VITON 15,54X2,62
6	713024000F	VALVE
7	402338000F	EXTERNAL OR FOR CANISTER
8	713026010F	VALVE SPRING
9	713020010F	RESERVOIR BODY



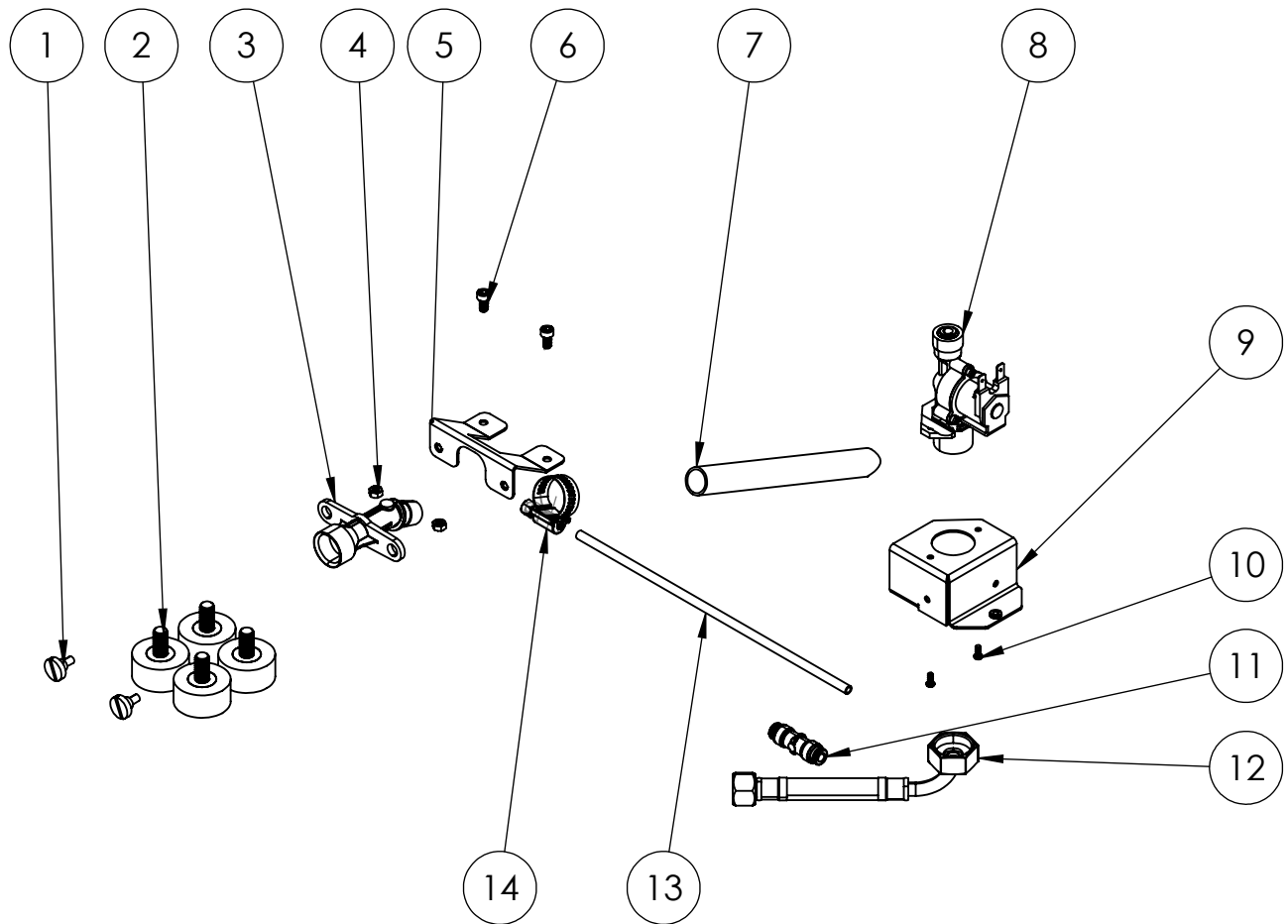
support@slayerespresso.com (206) 284-7171

## PARTS MANUAL - STEAM SINGLE

RESERVOIR - STEAM 1G

DOC NO.

REVISION NO.



ITEM NO.	PART NUMBER	DESCRIPTION
1	916256000	SCREW M5
2	46000-50180	RUBBER FOOT, SLAYER ESPRESSO 1/2/3 GROUP
3	940028000	DRAIN UNION
4	44000-36520	NUT,HEX,M5,18-8 SS
5	713514000	FIXING DRAIN ASSEMBLY G1-P298
6	44005-10100	SHCS,M5-0.8X10MM,18-8 SS
7	40000-32170	3-A SANITARY CLEAR PVC VACUUM TUBING 5/8
8	533897400	SOLENOID VALVE - INLET WATER
9	13035-10330	WATER INLET SOLENOID MOUNT
10	523135080	SELF-TAPPING SCREW FOR PLASTIC, 3.5X8
11	532664200F	CHECK VALVE - 6mm QD F X F - PPSU
12	532306100F	TUBE ASSEMBLY G3/8 X G3/4 AT 90°
13	220000022	RISLAN PIPE 4X6
14	40000-32060	WORM-DRIVE HOSE CLAMP, NONSLIP SCREW 1/2" TO 1-1/16" CLAMP DIAMETER RANGE, 9/16" BAND WIDTH



support@slayerespresso.com (206) 284-7171

## PARTS MANUAL - STEAM SINGLE

PLUMB KIT - STEAM 1G

DOC NO.

REVISION NO.