

**SLAYER®**

Espresso  
Single Group

PARTS & ACCESSORIES PRICE LIST

VERSION 1

JULY 2019

# Parts Diagrams

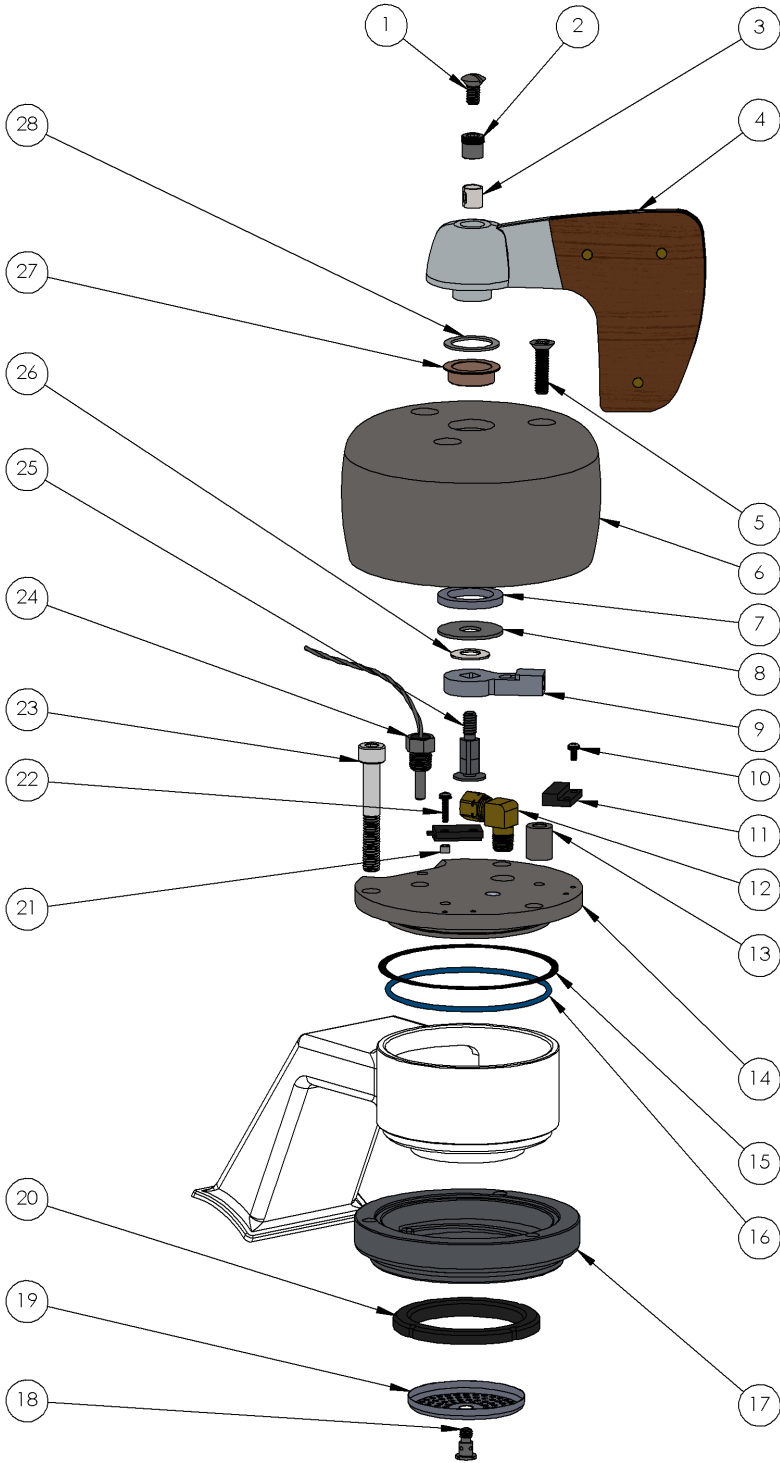
Preventative Maintenance and appropriate water filtration will not only extend the life of your espresso machine, it will additionally maintain the output of high quality beverages. Only qualified service personnel should repair Slayer Espresso machines. Incorrect repair may result in injury and/or damage to the equipment. Please consult your distributor for a qualified Slayer service technician.

## CONTENTS

BREW GROUP HEAD COMPONENTS	3	ACTUATOR AND X COMPONENTS	13
BREW TANK COMPONENTS	5	ELECTRONICS COMPONENTS	15
STEAM & HOT WATER COMPONENTS	7	DRAIN COMPONENTS	17
STEAM TANK COMPONENTS	9	PANELS & CHASSIS	19
PUMP COMPONENTS	11	PORTAFILTERS	21

- ⋮ Incorrect repair may result in injury and/or damage to the equipment.
- ⋮ Please consult your distributor for a qualified Slayer service technician.

# BREW GROUP HEAD COMPONENTS

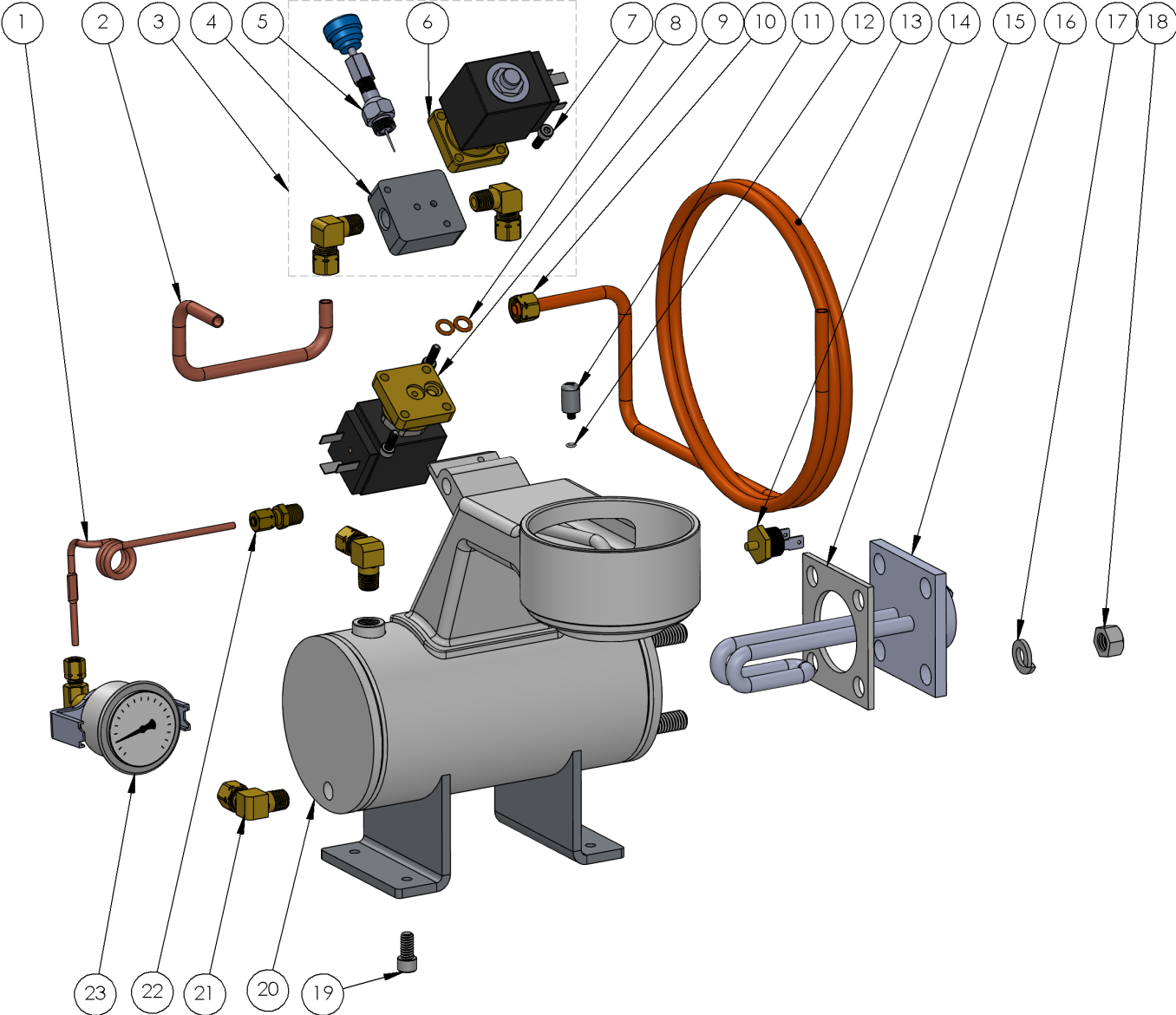


- ALL PRICES IN US DOLLARS. PRICES SUBJECT TO CHANGE AND DO
- NOT INCLUDE SHIPPING OR TAX. EFFECTIVE AS OF JUNE 2019.

## BREW GROUP HEAD COMPONENTS

ITEM NO.	PART NUMBER	DESCRIPTION	LIST PRICE
1	44000-36152	Stainless Steel Slotted Oval Head Screws, 1/4"-20 Thread Size, 1/2" Long, Polished Head	3.55
2	44000-50210	Insert Nut for Brew Handle, Stainless	15.54
3	44000-50190	Spacer for Group Handle	2.40
4	20000-56500-21	Paddle, Actuator with Wood - European Ash	550.00
5	44000-50260	Screw, Group Cover Mount, Polished Head	2.44
6	20000-16080	Group Cover	215.00
7	10000-16210	Spacer	3.75
8	44000-16220	Washer, Fender, 3/8 x 1.25 x 0.05, Stainless	1.25
9	99003-50051	Tongue Assembly	42.39
10	44000-36330	Screw and Washer for Magnet and Power Supply	0.68
11	30000-20042	Mag Switch, N/O, pinned	10.85
12	42000-34560	Fitting, 90 Deg Elbow for 1/4" Tube OD x 1/8" NPTF - M, Brass	14.12
13	46000-50270	Stand Off for Group Cover	13.20
14	99004-16100	Brew Cap With Magnet	175.00
15	46000-50100	Gasket for Group Cap, Paper	6.88
16	46000-50090	O-Ring, FKM, 70 A, Group Cap	9.50
17	20000-56010	Bayonet Ring	150.00
18	46000-50080	Diffuser Screw, Stainless	6.65
19	46000-50073	Nano Coated Shower Screen - Custom Slayer	27.00
20	46000-56091	Gasket for Group Head, 6.1mm	6.95
21	44000-36000	Spacer for Inverted Mag Switch	0.36
22	44000-36140	Screw and Washer for Inverted Magnet	1.10
23	44000-56000	Screw, Socket Head Cap, M8 Thread, 55mm Length, 1.25mm Pitch, Stainless	4.12
24	30004-20082	RTD, Brew Tank, Single Group, pinned	110.00
25	10000-16161	Stem for Brew Actuator, V3	32.98
26	46000-50240	Belleville Disc Spring for Valve Assembly, Stainless	3.63
27	10000-16200	Bushing, Oilite	25.50
28	46000-53070	Gasket for Steam Valve Brew Actuator, 27mm, Teflon	0.60

# BREW TANK COMPONENTS

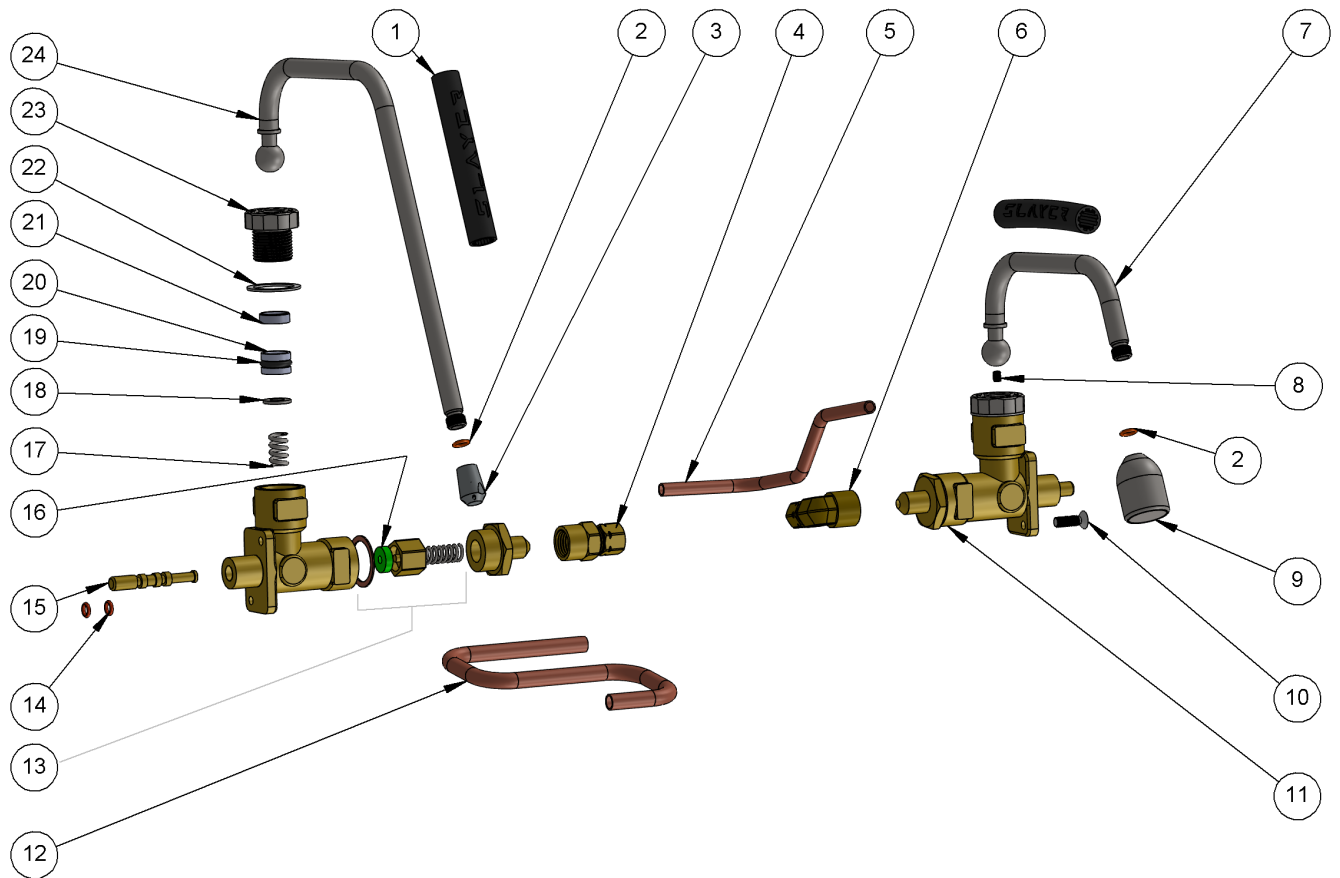


- ALL PRICES IN US DOLLARS. PRICES SUBJECT TO CHANGE AND DO
- NOT INCLUDE SHIPPING OR TAX. EFFECTIVE AS OF JUNE 2019.

## BREW TANK COMPONENTS

ITEM NO.	PART NUMBER	DESCRIPTION	LIST PRICE
1	40004-32630	Brew Gauge Tube Single Group	13.75
2	40004-32560	Brew Tank Fill Tube, Single Group	8.40
3	99004-50201	Needle Valve Assembly, Single Group	450.00
4	10004-50200	Needle/Solenoid Mount Body, Single Group	180.00
5	99003-16090	Needle Assembly - Needle Only	130.00
6	30000-20194	Valve, 2-Way, Flange Mount, 2.5mm, 24v	130.00
7	44005-10090	Screw, Socket Head Cap, M4 Thread, 12mm Length, .7mm Pitch, Stainless	0.35
8	46000-10040	O-Ring, FKM, Dash number-010	0.35
9	30000-20153	Valve, 3-way, Flange Mount, 2mm, 24v	140.00
10	42000-34705	Nut for 1/4" Tube OD Easy-Align Brass Compression Tube Fitting	4.00
11	10000-16061	Giggleur, 0.7mm, V3	20.00
	10005-16061	Giggleur, 0.6mm	20.00
12	46000-10010	O-Ring for Jet Holder, 1 x 3	1.62
13	40004-32510	Preheat Tube, Single Group	25.54
14	30000-20251	Thermostat, 110C	14.16
15	30000-20140	Gasket, Element, Teflon	11.50
16	30004-20130	Element, Brew, 600 Watt, 110V, Single Group	73.90
	30000-20130	Element, Brew, 600 Watt, 220V	73.90
17	44000-36070	Lock Washer, Element Mount	0.41
18	44000-36080	Hex Nut, Element Mount	0.41
19	44004-37030	18-8 Stainless Steel Socket Head Cap Screw, 1/4"-20 Thread, 1/2" Length, packs of 50	0.80
20	15004-16061	Brew Tank with Neck, Single Group	1715.00
21	42000-34560	Fitting, 90 Deg Elbow for 1/4" Tube OD x 1/8" NPTF - M, Brass	14.12
22	42000-34660	Fitting, 1/8 NPT x 1/8, Brass	10.22
23	99000-50325	Brew Gauge Assembly	225.00

# STEAM & HOT WATER COMPONENTS

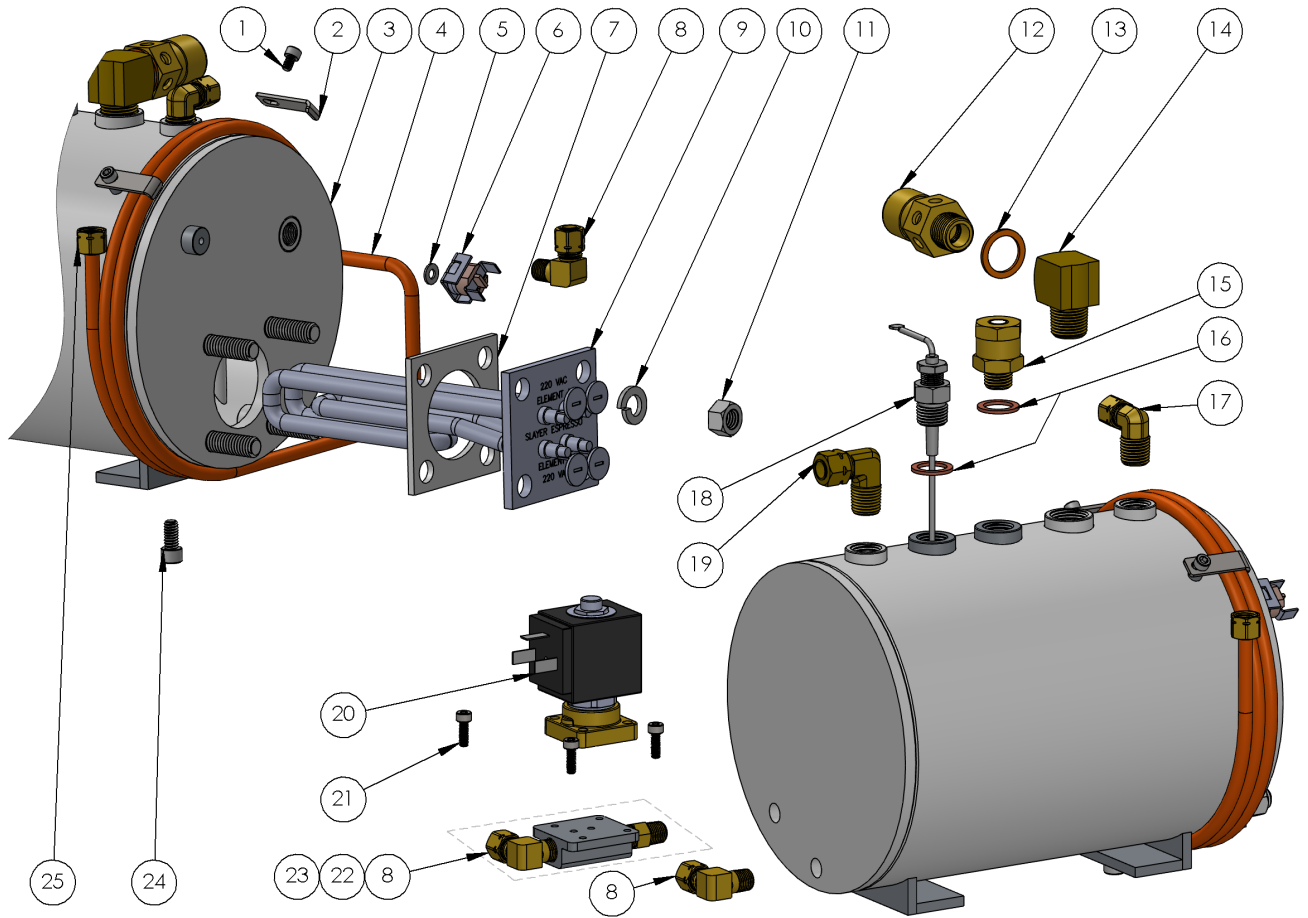


• ALL PRICES IN US DOLLARS. PRICES SUBJECT TO CHANGE AND DO  
 • NOT INCLUDE SHIPPING OR TAX. EFFECTIVE AS OF JUNE 2019.

## STEAM & HOT WATER COMPONENTS

ITEM NO.	PART NUMBER	DESCRIPTION	LIST PRICE
1	46005-53170	Steam Wandom Grip - Slayer Branded	2.00
2	46000-50030	O-Ring for Steam Tip, 1.5 x 6	0.93
3	46000-50341	Steam Tip, 1.1mm, #1	20.00
	46000-50340	Steam Tip, 1.0mm, #0	20.00
	46000-50342	Steam Tip, 1.2mm, #2	20.00
	46000-50343	Steam Tip, 1.3mm, #3	20.00
	46000-50344	Steam Tip, 1.4mm, #4	20.00
	46000-50345	Steam Tip, 1.5mm, #5	20.00
4	42000-34540	Fitting, 5/16" Tube OD x 1/4" NPTF - F, Brass	32.62
5	40004-32540	Hot Water Tube, Single Group	10.75
6	42000-34670	Fitting, Elbow, 1/4NPT x 1/4, Brass	35.08
7	40004-50450	Hot Water Wand, M4x.7 Tapped in Ball, Hot Water Spigot, Single Group	65.00
8	46000-50450	Set Screw, Vented Cup Point, M4 Thread, 5mm Long, Stainless	21.30
9	46000-50350	Hot Water Spout	22.80
10	44000-36010	Steam Valve Mounting Screw	0.70
11	46000-53000	DVG Steam Valve	79.40
12	40004-32520	Steam Line, Single Group	10.40
13	46900-10010	Steam Valve Rebuild Kit (spring, crush washer, plunger w/ gasket)	35.00
14	46000-53090	O-Ring for Brass Steam Valve Pin	3.30
15	46000-53080	Steam Valve Pin, Brass	7.80
16	46000-53100	Steam Seat Gasket for Steam Valve Seal	1.70
17	46000-53030	Articulation Spring for Steam Valve, 13x21mm	1.25
18	46000-53040	Washer, Flat, M7 Screw Size, 14mm OD, 1.4mm-1.8mm Thick	0.39
19	46000-53050	O-Ring for Peek Steam Valve Bushing	4.35
20	46005-53060	Bushing, 15 X 10.5mm Peek Plastic	18.50
21	46005-53110	Steam Seal, Peek Plastic	15.00
22	46000-53070	Gasket for Steam Valve Brew Actuator, 27mm, Teflon	0.60
23	46000-53010	Steam Valve Nut, Stainless	27.50
24	40004-50330	Steam Wand, #1 Tip, Single Group, Slayer Espresso	55.00

# STEAM TANK COMPONENTS

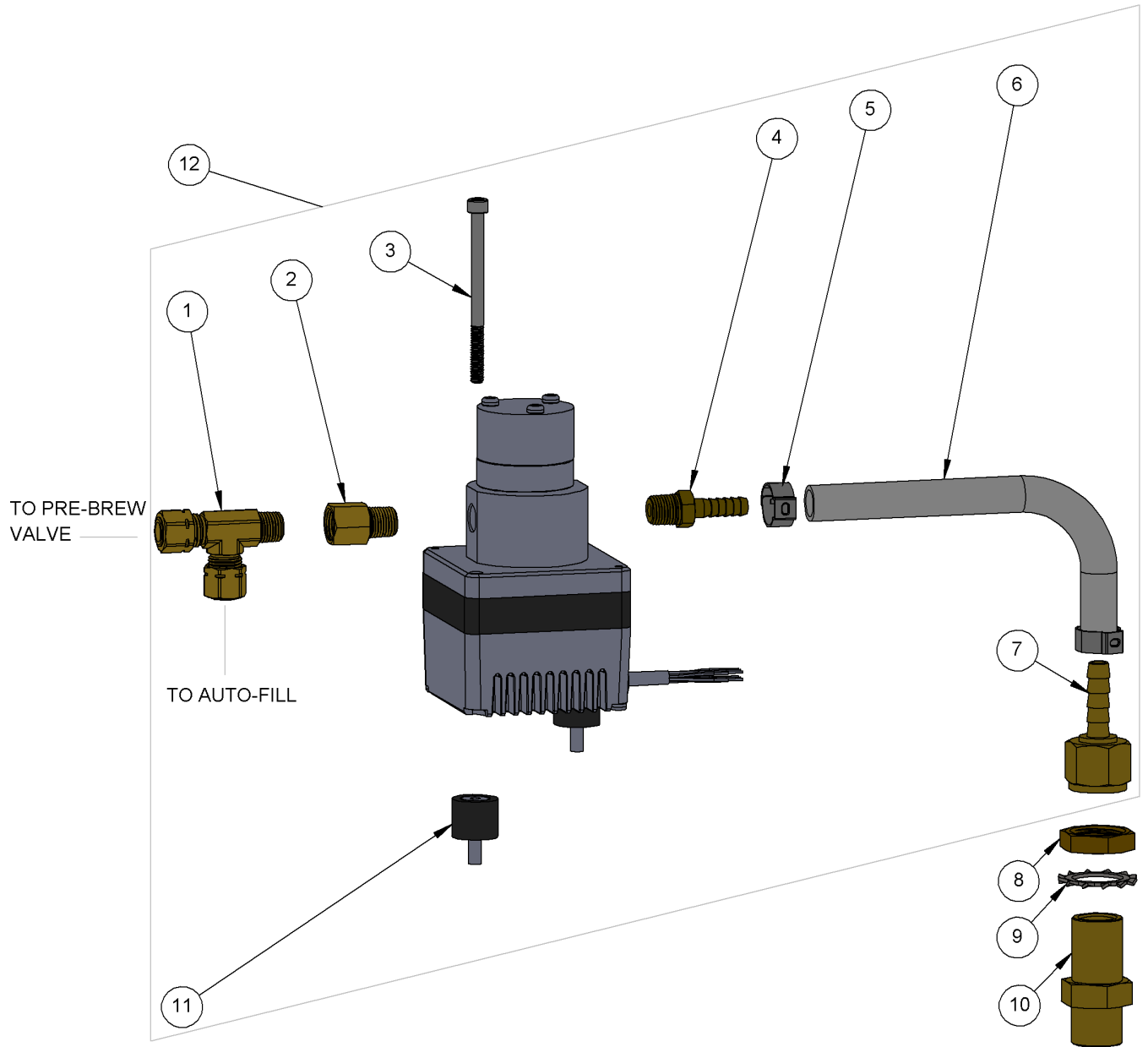


• ALL PRICES IN US DOLLARS. PRICES SUBJECT TO CHANGE AND DO  
 • NOT INCLUDE SHIPPING OR TAX. EFFECTIVE AS OF JUNE 2019.

## STEAM TANK COMPONENTS

ITEM NO.	PART NUMBER	DESCRIPTION	LIST PRICE
1	44004-36090	Screw, SHCS, 8-32 x 1/4 Long, Stainless	0.29
2	13004-10110	Clamp for Preheat Tube	16.80
3	15004-10110	Steam Tank - Single Group	1010.00
4	40004-32510	Preheat Tube, Single Group	25.54
5	44000-10030	Washer, Aluminum, 0.174" ID, 0.375" OD	0.25
6	30000-20261	Thermostat, 25A, 145C, Steam tank	14.75
7	30000-20140	Gasket, Element, Teflon	11.50
8	42000-34560	Fitting, 90 Deg Elbow for 1/4" Tube OD x 1/8" NPTF - M, Brass	14.12
9	30004-20180	Element, Dual, 1400/600W, 220VAC	80.90
	30004-20170	Element, Dual, 2000/1400 Watt, 120VAC	77.90
10	44000-36070	Lock Washer, Element Mount	0.41
11	44000-36080	Hex Nut, Element Mount	0.41
12	46000-50120	PRV, 2.5 Bar	37.40
13	46000-50130	Gasket for PRV, 3/8", Copper	1.32
14	42004-34500	Fitting, Medium-Pressure, Threaded Pipe, 3/8 Pipe Size, M x F Elbow, Brass	19.20
15	46000-50140	Anti-Suction/Vacuum Valve, 1/4"	25.00
16	46000-50150	Gasket ,1/4", Copper for Anti Suction, Level Probe, Expansion Valve V3/Steam	1.71
17	42000-34702	Fitting, Easy-Align, Compression Tube, Elbow for 1/4" Tube OD x 1/4 - M Pipe, Brass	15.96
18	30004-50170	Water Level Probe Slayer Espresso, 115mm	26.60
19	42000-34680	Fitting, Easy-Align, Compression Tube, Elbow for 5/16" Tube OD x 1/4 - M Pipe, Brass	29.07
20	30000-20194	Valve, 2-Way, Flange Mount, 2.5mm, 24v	130.00
21	44005-10090	Screw, Socket Head Cap, M4 Thread, 12mm Length, .7mm Pitch, Stainless	0.35
22	42000-34180	Hex Nipple, Pipe Size 1/8"	29.24
23	10999-20191	Solenoid Mount, Body	150.00
24	44004-37030	18-8 Stainless Steel Socket Head Cap Screw, 1/4"-20 Thread, 1/2" Length, packs of 50	0.80
25	42000-34705	Nut for 1/4" Tube OD Easy-Align Brass Compression Tube Fitting	4.00

# PUMP COMPONENTS

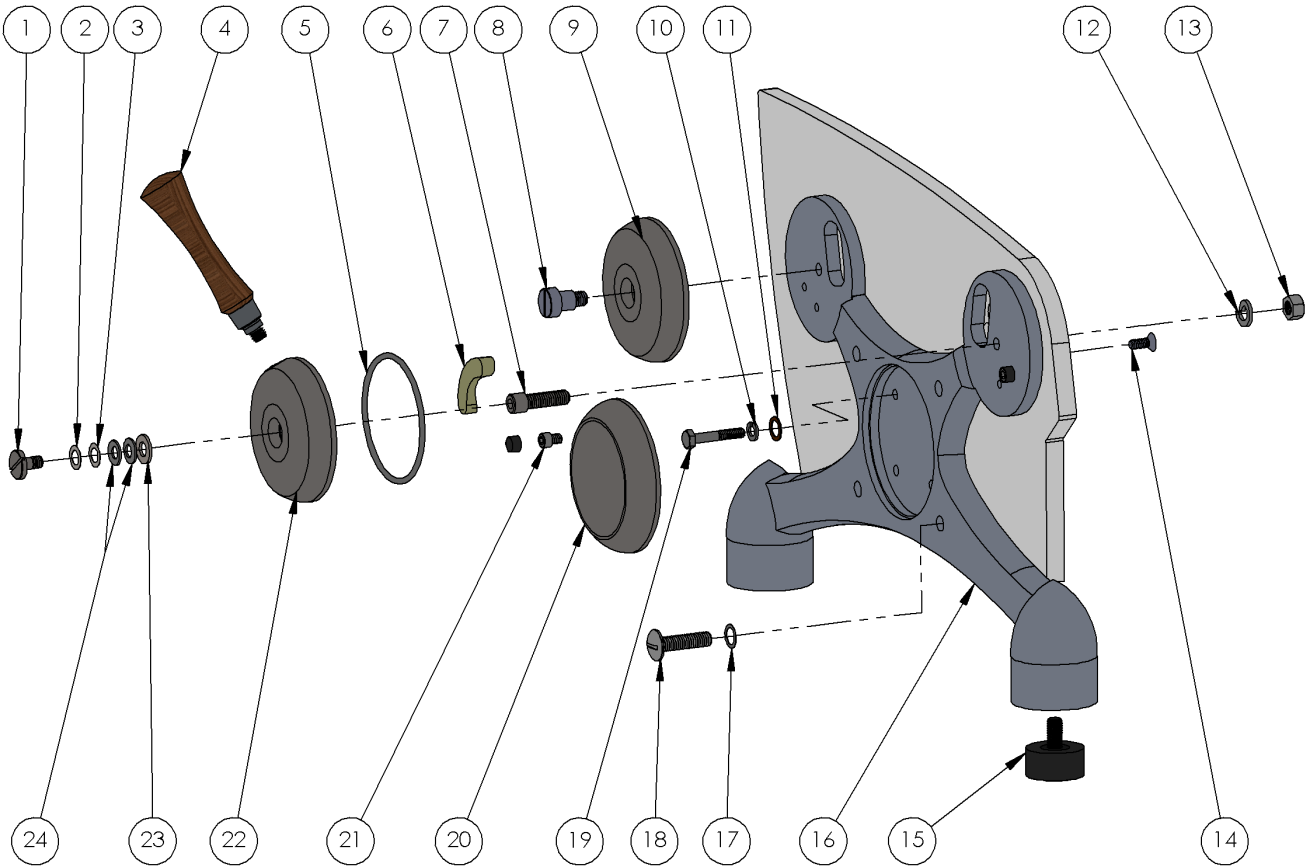


- ALL PRICES IN US DOLLARS. PRICES SUBJECT TO CHANGE AND DO
- NOT INCLUDE SHIPPING OR TAX. EFFECTIVE AS OF JUNE 2019.

## PUMP COMPONENTS

ITEM NO.	PART NUMBER	DESCRIPTION	LIST PRICE
1	42004-34520	Fitting, Easy-Align, Compression Tube, Right Angle Tee for 1/4" Tube OD x 1/8 - M Pipe, Brass	33.15
2	42000-10040	Extension, Fitting, 1/8 - F x 1/8 - M	5.22
3	44004-37020	Screw, Socket Head Cap, 8-32 Thread, 2" Length, Stainless	1.30
4	42004-25020	1/4" Hose Barb x 1/8" MNPT	6.70
5	42004-25060	Single Pinch Clamp, Stainless Steel, 1/2" nom.	1.03
6	42004-25050	PVC Tubing, 1/4" ID, 7/16" OD, 3/32" Wall	3.35
7	42004-25030	Tight-Seal Straight-Thread Brass Barbed Fitting, Adapter for 1/4" Hose ID x 3/8" NPSM Female Pipe	18.55
8	44000-10010	Brass Nut - 3/8 BSPP	3.50
9	44000-36360	Washer, External Tooth, Star, 3/8	1.10
10	42000-10010	Extension, Fitting, 3/8"	4.13
11	44004-50181	Vibration Dampener, Single Group	11.29
12	99004-58031	Pump Assembly, Single Group (new)	775.00

# ACTUATOR AND X COMPONENTS

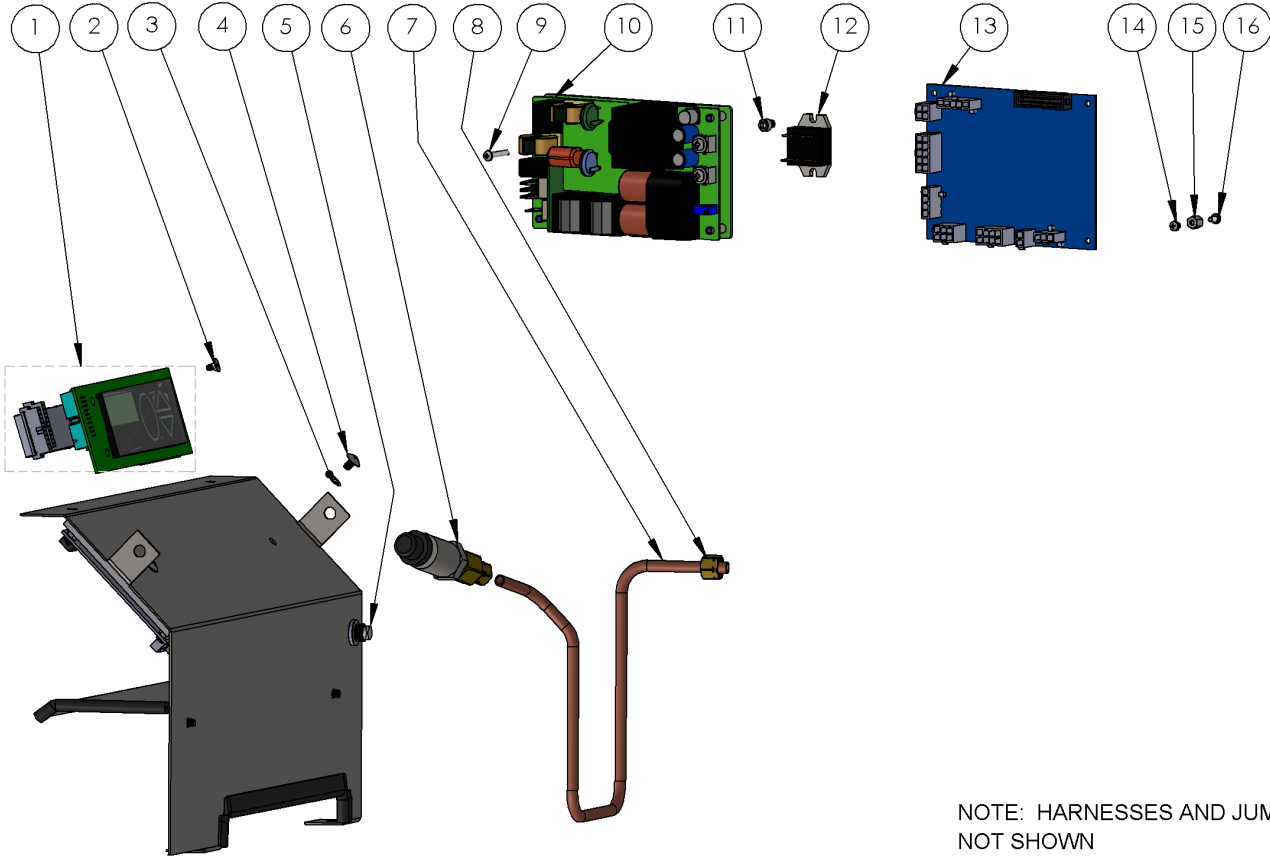


- ALL PRICES IN US DOLLARS. PRICES SUBJECT TO CHANGE AND DO
- NOT INCLUDE SHIPPING OR TAX. EFFECTIVE AS OF JUNE 2019.

## ACTUATOR AND X COMPONENTS

ITEM NO.	PART NUMBER	DESCRIPTION	LIST PRICE
1	10004-36600	Shoulder Lock Screw, Single Group	12.00
2	46004-10000	Shim, Type 316, 0.010 Thick, 3/8 ID x 5/8 OD, Stainless	2.18
3	46004-10001	Shim, Type 316, 0.005 Thick, 3/8 ID x 5/8 OD, Stainless	2.56
4	10000-56751-21	Steam Handle, Single Group - European Ash	145.00
5	46004-10002	O-Ring, PTFE, Single Group Actuator	19.35
6	10004-16130	Actuator Ramp, Nylon, Single Group	7.60
7	10004-36610	Actuator Shoulder Bolt, Single Group	15.25
8	10004-36031	Shoulder Bolt, Short, 1/2", Single Group	49.33
9	10004-16100	Actuator, Dummy, Single Group	140.00
10	44000-36110	Lock Washer, Tank Mount	0.20
11	46000-53160	Shoulder Bolt Shim, Thick, Red	0.20
12	44000-36070	Lock Washer, Element Mount	0.41
13	44000-36080	Hex Nut, Element Mount	0.41
14	44000-36060	Screw, Hub Mount	0.60
15	46000-50180	Rubber Foot, Slayer Espresso 1/2/3 Group	20.00
16	20004-16140	X-Casting, Single Group - Stock Silver	1025.00
17	46000-53160	Shoulder Bolt Shim, Thick, Red	0.20
18	44000-36040	18-8 SS Truss Head Slotted Machine Screw 3/8"-16 Thread, 1-1/2" Length, Polished Head	5.66
19	44000-36101	Bolt, Hex Head, 1/4 -20 x 1-1/2	0.81
20	10004-16090	Hub Cap, Single Group	170.00
21	44000-36260	Actuator, Steam, Stop Bolt, Short	1.03
22	99004-16510	Actuator Subassembly, Single Group - Left	145.00
	99004-16520	Actuator Subassembly, Single Group - Right	145.00
23	46004-10005	Washer, Flat, 300SS, 5/16" Screw Size	1.29
24	46004-10004	Washer, Spring Lock, Acetal, M8 Size	0.44

# ELECTRONICS COMPONENTS



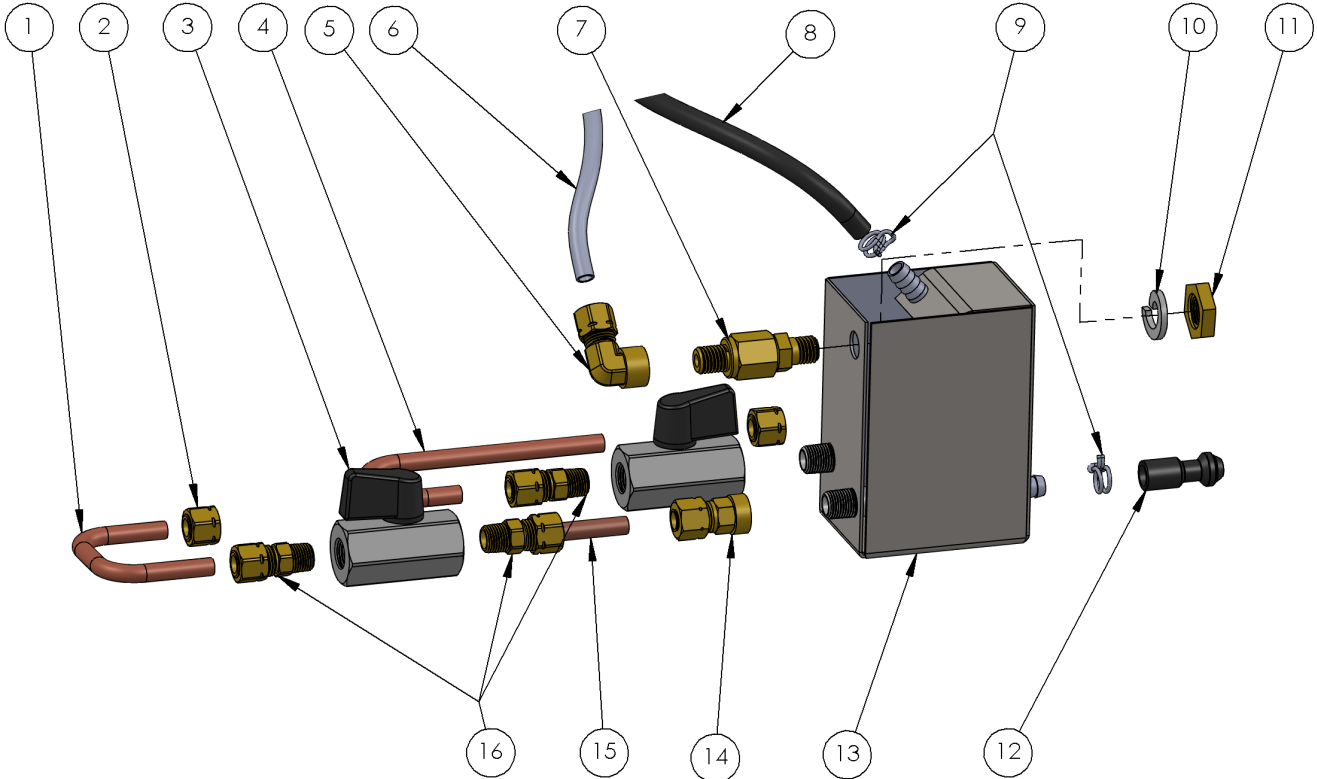
NOTE: HARNESSES AND JUMPERS NOT SHOWN

- ALL PRICES IN US DOLLARS. PRICES SUBJECT TO CHANGE AND DO
- NOT INCLUDE SHIPPING OR TAX. EFFECTIVE AS OF JUNE 2019.

## ELECTRONICS COMPONENTS

ITEM NO.	PART NUMBER	DESCRIPTION	LIST PRICE
1	99004-60110	Display Assembly	640.00
2	44004-36080	Screw, Flat-Head Hex Drive, 6-32, 1/4", Stainless	0.20
3	44000-36510	Washer, Lock, Internal Tooth, #10	0.10
4	44000-36170	Screw, Phillips, Valve Insert	0.25
5	30000-20255	Circuit Breaker, Push Type, 10 Amp, 220V	10.00
	30000-20265	Circuit Breaker, Push Type, 15 Amp, 110V	14.64
6	99004-17001	Single Group Transducer Assembly	280.00
7	40004-32620	Transducer Tube, Single Group	19.75
8	42000-34705	Nut for 1/4" Tube OD Easy-Align Brass Compression Tube Fitting	4.00
9	44004-36141	Screw, Pan Head Phillips, M3 Size, 20mm Length, .5mm Pitch, Stainless	0.31
10	30000-20003	Power Supply, Cosel, 500 Watt	550.00
11	44004-36090	Screw, SHCS, 8-32 x 1/4 Long, Stainless	0.29
12	30004-20011	20 Amp Solid State Relay, 12V	79.01
13	30004-60100	Circuit Board, Single Group	545.00
14	44000-36131	Screw, Pan Head Phillips, External Lock Washer, 4-40 Thread, 3/16" Length, Stainless	1.05
15	44004-36120	Hex Standoff 1/4", 4-40	1.48
16	44000-36330	Screw and Washer for Magnet and Power Supply	0.68
*	30004-10010	Element Jumper, Single Group	5.00
*	30004-10020	Solenoid Harness, Single Group	70.00
*	30004-10030	Magnetic Switch Harness, Single Group	72.00
*	30004-10042	Transducer Cable, Rast Connector, Single Group	93.90
*	30004-10050	Jumper, Power to Relay, Single Group	40.00
*	30004-10060	Jumper, Relay Signal, Single Group	35.00
*	30004-10070	Wire, Power to Control Board, Single Group	25.00
*	30004-10080	Heating Element Harness, Single Group	102.00
*	30004-10090	Autofill Harness, Single Group	45.00
*	HARNES AND JUMPER COMPONENTS NOT SHOWN IN IMAGE		

# DRAIN COMPONENTS

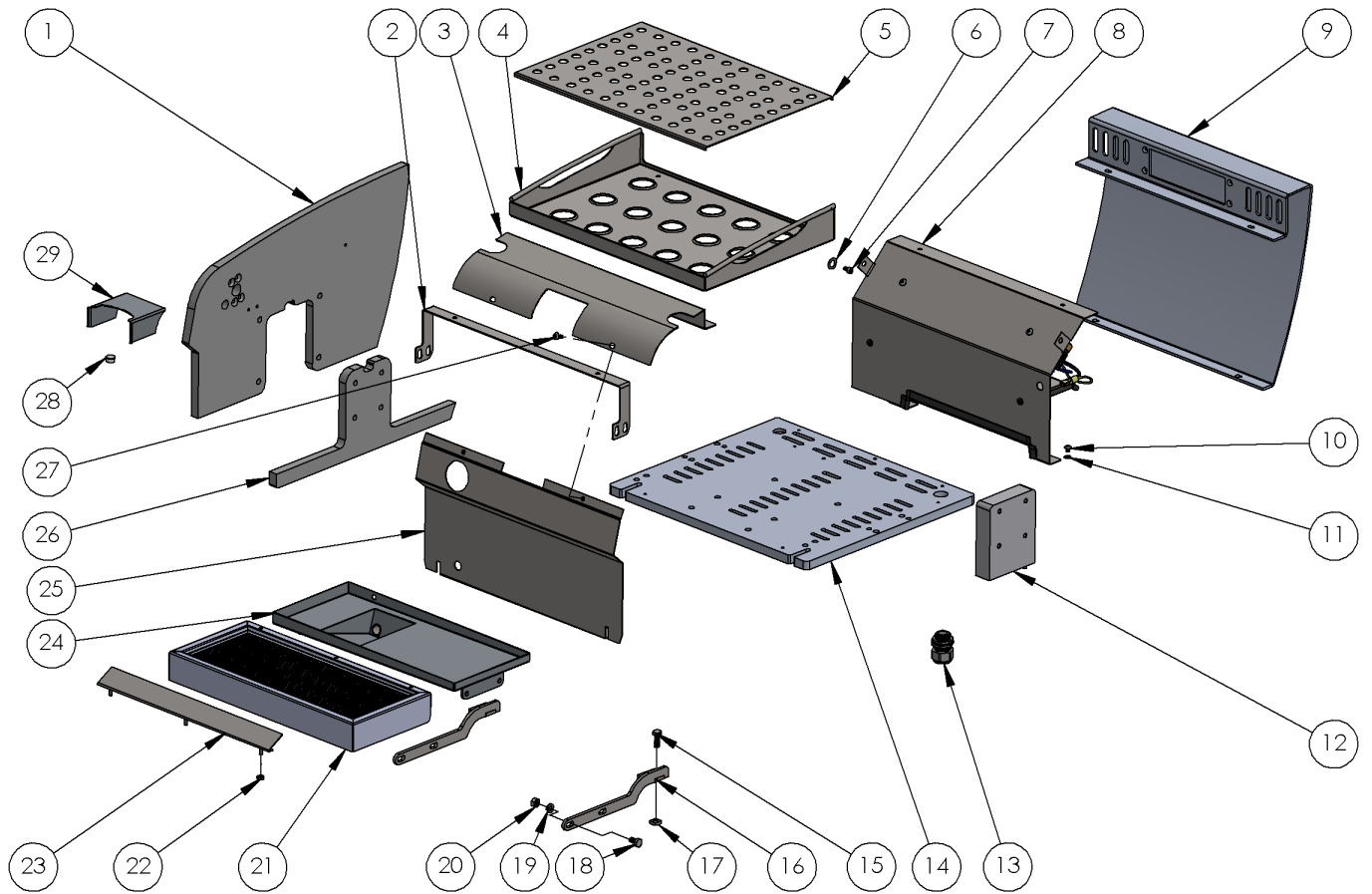


- ALL PRICES IN US DOLLARS. PRICES SUBJECT TO CHANGE AND DO
- NOT INCLUDE SHIPPING OR TAX. EFFECTIVE AS OF JUNE 2019.

## DRAIN COMPONENTS

ITEM NO.	PART NUMBER	DESCRIPTION	LIST PRICE
1	40004-32610	Steam Tank Drain Tube, Single Group	6.60
2	42000-34705	Nut for 1/4" Tube OD Easy-Align Brass Compression Tube Fitting	4.00
3	42000-50290	Ball Valve, 1/8" NPT	27.70
4	40004-32590	Drain Tube Two	8.20
5	42000-34570	Brass Compression Tube Fitting, 90 Deg Elbow for 1/4" Tube OD x 1/8" NPTF - F	35.38
6	40000-32050	Extreme-Temp Tubing, Teflon, Semi-Clear White 1/8" ID, 1/4" OD - Per Inch	1.55
7	42000-10020	Expansion Valve Fitting, Single Group	27.81
8	40000-32180	EPDM Rubber Tubing 5/16" ID, 7/16" OD - Per Inch	0.72
9	44000-36290	Spring Clip for Single Group Drain, Small	1.95
10	44000-36070	Lock Washer, Element Mount	0.41
11	44004-10020	Nut, 1/8 BSPP	2.15
12	40004-32090	Drain Tube, Drainbox to Drip Tray, Single Group	1.50
13	13004-32090 Rev C	Drain Box, Single Group	315.00
14	42000-34550	Fiting, 1/4" Tube OD x 1/8" NPTF - F, Brass	15.40
15	40005-32060	Hot Water to Mix Valve Tube, Slayer Steam	2.23
16	42000-34500	Fitting, 1/4" Tube OD x 1/8" NPTF - M, Brass	14.95

# PANELS & CHASSIS

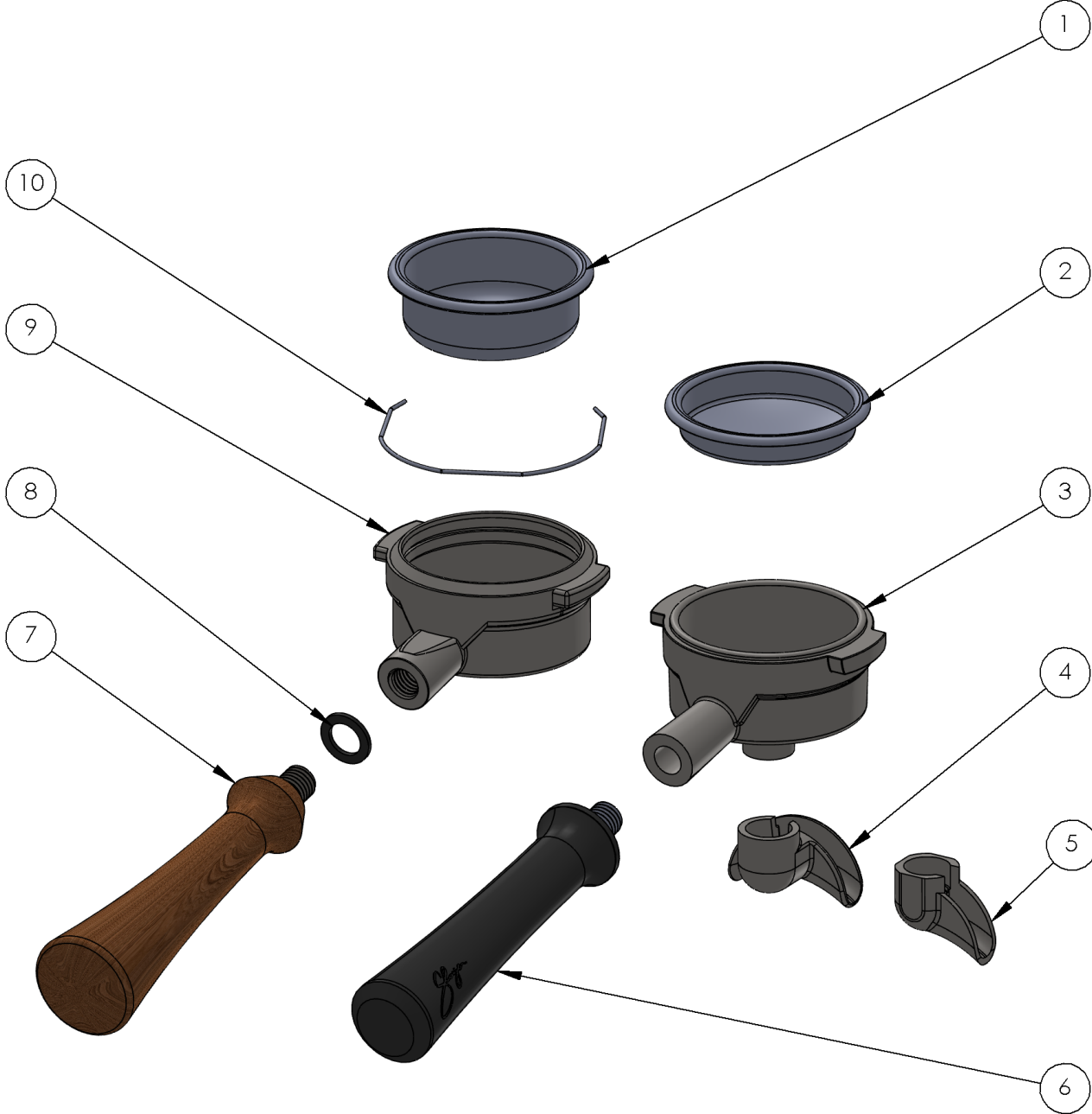


- ALL PRICES IN US DOLLARS. PRICES SUBJECT TO CHANGE AND DO
- NOT INCLUDE SHIPPING OR TAX. EFFECTIVE AS OF JUNE 2019.

## PANELS & CHASSIS

ITEM NO.	PART NUMBER	DESCRIPTION	LIST PRICE
1	10004-16020-45.RC	Side Panel, Upper, Single Group - "STOCK BLACK"	550.00
2	13004-10180	Front Panel, Mount, Single Group	48.70
3	13004-10080	Front Panel, Upper, Single Group	60.80
4	13004-10050	Cup Tray, Lower, Single Group	345.00
5	13004-10060	Cup Tray Cover Single Group	110.00
6	44004-50550	Washer, Flat, NAS 1149, 3/8" Size, .63" OD, .02"-.04, Stainless	0.28
7	44004-36040	Screw, Socket Head Cap, 10-24 x 5/16	0.40
8	99004-10030	Electrical Panel Assembly, Single Group	1570.00
9	13004-10090-45	Back Panel, Single Group - "STOCK BLACK"	350.00
10	44000-36170	Screw, Phillips, Valve Insert	0.25
11	44000-36510	Washer, Lock, Internal Tooth, #10	0.10
12	99004-13100	Side Block Assembly	175.00
13	30004-30410	Cord Strain Relief, Single Group	17.30
14	10004-12000	Base Plate, Single Group	500.00
15	44000-36102	Bolt, Hex Head, 1/4-20 x 3/4	0.42
16	13004-16000	Drip Tray Bracket, Single Group	60.79
17	44000-36151	Square Nut, 1/4"-20, Stainless	0.65
18	44000-36050	Screw, Tray/Bracket Mount	0.40
19	44000-36110	Lock Washer, Tank Mount	0.20
20	44000-36150	Hex Nut, 1/4"-20 Thread Size, 7/16" Width, 3/16" Height, Stainless	0.30
21	13004-10015	Drip tray cover, Single Group, Single Piece	600.00
22	44000-36370	Nut for Mirror, 8-32	0.15
23	13004-10020	Mirror, Single Group	65.07
24	13004-10000	Drip Tray, Liner, Single Group	410.00
25	13004-10070	Front Panel, Lower, Single Group	78.45
26	10004-16010-45	Side Panel, Lower, Single Group - "STOCK BLACK"	370.00
27	44000-36160	Screw, Body Panels	0.25
28	30000-20280	PID Spacer, Rubber	1.10
29	13004-16040	Group Neck Cover, Single Group	24.98

PORTAFILTERS



- ALL PRICES IN US DOLLARS. PRICES SUBJECT TO CHANGE AND DO
- NOT INCLUDE SHIPPING OR TAX. EFFECTIVE AS OF JUNE 2019.

## PORTAFILTERS

ITEM NO.	PART NUMBER	DESCRIPTION	LIST PRICE
1	46000-56551	Single Basket, Espresso, Steam	27.15
	46000-56070	Double Portafilter Basket, Ridgeless	29.25
	46000-56063	Triple Basket, Espresso, Steam	37.00
2	46000-56100	Blind Portafilter Basket	6.80
3	46000-56120	Spouted Portafilter, Body Only	39.92
4	46000-56130	Portafilter Double Spout, Spout Only	11.25
5	46000-56131	Portafilter Single Spout, Spout Only	9.25
6	24015-10011	Portafilter Handle, Soft Touch with Slayer Logo	84.00
7	47000-61008	Portafilter Handle, European Ash	155.00
8	46000-56030	Gasket for Wood Portafilter Handle	0.25
9	46000-56041	Portafilter Body, Naked, Metal Only	58.20
10	46000-56160	Portafilter Locking Spring, 1.20 mm, Stainless	5.45
*	46000-60020	Slayer Cleaner 566g (20oz)	20.25
*	SLAYER CLEANER NOT SHOWN IN IMAGE		
<b>COMPLETE PORTAFILTERS</b>			
	86000-50010	European Ash Naked Portafilter	220.00
	86000-50011	European Ash Single Spouted Portafilter	220.00
	86000-50012	European Ash Double Spouted Portafilter	220.00
	86015-50000	Soft Touch Naked Portafilter	180.00
	86015-50001	Soft Touch Single Spouted Portafilter	180.00
	86015-50002	Soft Touch Double Spouted Portafilter	180.00